

# LTQ Series

## Hardware Manual

97055-97072 Revision D September 2015



**Thermo**  
SCIENTIFIC

© 2015 Thermo Fisher Scientific Inc. All rights reserved.

Automatic Gain Control, Foundation, Ion Max-S, LTQ XL, Orbitrap Elite, Orbitrap Velos Pro, Velos, Velos Pro, and ZoomScan are trademarks; Unity is a registered service mark; and Accela, Ion Max, LTQ, LXQ, Orbitrap, Thermo Scientific, and Xcalibur are registered trademarks of Thermo Fisher Scientific Inc. in the United States.

The following are registered trademarks in the United States and other countries: Microsoft and Windows are registered trademarks of Microsoft Corporation. Vespel is a registered trademark of E.I. du Pont de Nemours & Co.

The following are registered trademarks in the United States and possibly other countries: Agilent is a registered trademark of Agilent Technologies, Inc. Convectron is a registered trademark of Helix Technology Corporation. Liquinox is a registered trademark of Alconox, Inc. MICRO-MESH is a registered trademark of Micro-Surface Finishing Products, Inc. Upchurch Scientific is a registered trademark of IDEX Health & Science LLC. Viton is a registered trademark of DuPont Performance Elastomers LLC. Waters is a registered trademark of Waters Corporation.

All other trademarks are the property of Thermo Fisher Scientific Inc. and its subsidiaries.

Thermo Fisher Scientific Inc. provides this document to its customers with a product purchase to use in the product operation. This document is copyright protected and any reproduction of the whole or any part of this document is strictly prohibited, except with the written authorization of Thermo Fisher Scientific Inc.

The contents of this document are subject to change without notice. All technical information in this document is for reference purposes only. System configurations and specifications in this document supersede all previous information received by the purchaser.

This document is not part of any sales contract between Thermo Fisher Scientific Inc. and a purchaser. This document shall in no way govern or modify any Terms and Conditions of Sale, which Terms and Conditions of Sale shall govern all conflicting information between the two documents.

Release history: Rev A, April 2009; Rev B, Jan 2012; Rev C, June 2012; Rev D, Sept 2015

Software version: Microsoft Windows 7 Professional (32-bit and 64-bit) SP1—Thermo Foundation 2.0 and later, and Thermo Xcalibur 2.2 and later; Windows XP Workstation SP3—Foundation 1.0.2 SP2 or earlier, and Xcalibur 2.1 SP1 or earlier; Thermo LTQ Tune Plus 2.7.0 and later

**For Research Use Only. Not for use in diagnostic procedures.**

## Regulatory Compliance

Thermo Fisher Scientific performs complete testing and evaluation of its products to ensure full compliance with applicable domestic and international regulations. When the system is delivered to you, it meets all pertinent electromagnetic compatibility (EMC) and safety standards as described in the next section or sections by product name.

Changes that you make to your system may void compliance with one or more of these EMC and safety standards. Changes to your system include replacing a part or adding components, options, or peripherals not specifically authorized and qualified by Thermo Fisher Scientific. To ensure continued compliance with EMC and safety standards, replacement parts and additional components, options, and peripherals must be ordered from Thermo Fisher Scientific or one of its authorized representatives.

Regulatory compliance results for the following Thermo Scientific mass spectrometers (MSs):

- [Velos Pro MS](#)
- [LTQ XL MS](#)

**Note** Thermo Fisher Scientific no longer ships the LTQ Velos and LXQ mass spectrometers. Previously installed instruments were tested in accordance with applicable standards at that time (for example, EN 61326-0-1: 2006 (EMC) and EN/UL 61010-1 Second Edition (product safety)).

## Velos Pro MS

### EMC Directive 2004/108/EC

EMC compliance has been evaluated by TUV Rheinland of North America, Inc.

CFR 47, FCC Part 15, Subpart B, Class A: 2015	EN 61000-3-2: 2006 + A1+ A2
CISPR 11: 2009 + A1	EN 61000-3-3: 2013
CISPR 22: 2008	EN 61000-4-2: 2009
ICES-003: 2014	EN 61000-4-3: 2006 + A1+ A2
BSMI CNS 13438: 2006	EN 61000-4-4: 2004 + A1
EN 55011: 2009 + A1	EN 61000-4-5: 2006
EN 55022: 2010	EN 61000-4-6: 2009
EN 61326-1: 2013	EN 61000-4-11: 2004

### Low Voltage Safety Compliance

This device complies with Low Voltage Directive 2006/95/EC and harmonized standard IEC/EN/CSA/UL 61010-1, Third Edition.

## LTQ XL MS

### EMC Directive 2004/108/EC

EMC compliance has been evaluated by TUV Rheinland of North America, Inc.

CFR 47, FCC Part 15, Subpart B, Class A: 2013

CISPR 11: 2009 + A1

CISPR 24: 2010

AS/NZS CISPR 22: 2009

ICES-003: 2012

EN 55011: 2009 + A1

EN 55024: 2010

EN 61326-1: 2013

EN 61000-3-2: 2006 + A1+ A2

EN 61000-3-3: 2008

EN 61000-4-2: 2009

EN 61000-4-3: 2006 + A1+ A2

EN 61000-4-4: 2004 + A1

EN 61000-4-5: 2006

EN 61000-4-6: 2009

EN 61000-4-11: 2004

### Low Voltage Safety Compliance

This device complies with Low Voltage Directive 2006/95/EC and harmonized standard IEC/EN/CSA/UL 61010-1, Second Edition.

## FCC Compliance Statement

THIS DEVICE COMPLIES WITH PART 15 OF THE FCC RULES. OPERATION IS SUBJECT TO THE FOLLOWING TWO CONDITIONS: (1) THIS DEVICE MAY NOT CAUSE HARMFUL INTERFERENCE, AND (2) THIS DEVICE MUST ACCEPT ANY INTERFERENCE RECEIVED, INCLUDING INTERFERENCE THAT MAY CAUSE UNDESIRE OPERATION.



**CAUTION** Read and understand the various precautionary notes, signs, and symbols contained inside this manual pertaining to the safe use and operation of this product before using the device.



## Notice on Lifting and Handling of Thermo Scientific Instruments

For your safety, and in compliance with international regulations, the physical handling of this Thermo Fisher Scientific instrument *requires a team effort* to lift and/or move the instrument. This instrument is too heavy and/or bulky for one person alone to handle safely.

## Notice on the Proper Use of Thermo Scientific Instruments

In compliance with international regulations: This instrument must be used in the manner specified by Thermo Fisher Scientific to ensure protections provided by the instrument are not impaired. Deviations from specified instructions on the proper use of the instrument include changes to the system and part replacement. Accordingly, order replacement parts from Thermo Fisher Scientific or one of its authorized representatives.



## WEEE Directive

2012/19/EU



Thermo Fisher Scientific is registered with B2B Compliance ([B2Bcompliance.org.uk](http://B2Bcompliance.org.uk)) in the UK and with the European Recycling Platform ([ERP-recycling.org](http://ERP-recycling.org)) in all other countries of the European Union and in Norway.

If this product is located in Europe and you want to participate in the Thermo Fisher Scientific Business-to-Business (B2B) Recycling Program, send an email request to [weee.recycle@thermofisher.com](mailto:weee.recycle@thermofisher.com) with the following information:

- WEEE product class
- Name of the manufacturer or distributor (where you purchased the product)
- Number of product pieces, and the estimated total weight and volume
- Pick-up address and contact person (include contact information)
- Appropriate pick-up time
- Declaration of decontamination, stating that all hazardous fluids or material have been removed from the product

For additional information about the Restriction on Hazardous Substances (RoHS) Directive for the European Union, search for RoHS on the Thermo Fisher Scientific European language websites.

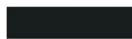
**IMPORTANT** This recycling program is **not** for biological hazard products or for products that have been medically contaminated. You must treat these types of products as biohazard waste and dispose of them in accordance with your local regulations.

**Directive DEEE**  
**2012/19/EU**



Thermo Fisher Scientific s'est associé avec une ou plusieurs sociétés de recyclage dans chaque état membre de l'Union Européenne et ce produit devrait être collecté ou recyclé par celle(s)-ci. Pour davantage d'informations, rendez-vous sur la page [www.thermoscientific.fr/rohs](http://www.thermoscientific.fr/rohs).

**WEEE Direktive**  
**2012/19/EU**



Thermo Fisher Scientific hat Vereinbarungen mit Verwertungs-/Entsorgungsfirmer in allen EU-Mitgliedsstaaten getroffen, damit dieses Produkt durch diese Firmen wiederverwertet oder entsorgt werden kann. Weitere Informationen finden Sie unter [www.thermoscientific.de/rohs](http://www.thermoscientific.de/rohs).



# Contents

	<b>Preface</b> .....	<b>xvii</b>
	LTQ Series Models .....	xviii
	Related Documentation .....	xviii
	Getting a Trap-HCD License .....	xx
	Getting a New License Code .....	xx
	Installing a New License Code .....	xxii
	Cautions and Special Notices .....	xxiii
	Contacting Us .....	xxiv
<b>Chapter 1</b>	<b>Introduction</b> .....	<b>1</b>
	LTQ Series Mass Spectrometers .....	1
	Overview of an LC/MS Analysis .....	4
<b>Chapter 2</b>	<b>Functional Description</b> .....	<b>7</b>
	Overview .....	7
	Syringe Pump .....	9
	Divert/Inject Valve .....	10
	LEDs and Button .....	10
	Divert Valve Positions .....	11
	Injection Valve Operation .....	11
	Mass Spectrometer .....	12
	LEDs .....	13
	Power Panel .....	14
	API Source .....	15
	API Source Interface .....	15
	Ion Optics .....	20
	Mass Analyzer .....	23
	Ion Detection Systems .....	26
	Vacuum System .....	28
	Inlet Gases Hardware .....	31
	Cooling Fans .....	32
<b>Chapter 3</b>	<b>System Shutdown, Startup, and Reset</b> .....	<b>33</b>
	Shutting Down the System in an Emergency .....	33
	Opening the Tune Plus Window .....	34

	Placing the Mass Spectrometer in Standby Mode . . . . .	35
	Turning On the Mass Spectrometer . . . . .	36
	Shutting Down the Mass Spectrometer Completely . . . . .	36
	Starting the System after a Complete Shutdown . . . . .	37
	Starting the LC System . . . . .	38
	Starting the Data System . . . . .	38
	Starting the Mass Spectrometer . . . . .	38
	Starting the Autosampler . . . . .	39
	Resetting the Mass Spectrometer . . . . .	39
	Resetting Tune and Calibration Parameters . . . . .	40
	Restarting the Data System . . . . .	40
	Turning Off Selected Mass Spectrometer Components . . . . .	41
<b>Chapter 4</b>	<b>Daily Operation . . . . .</b>	<b>45</b>
	Before Operating the LTQ Series System . . . . .	46
	Checking the System Mode . . . . .	46
	Checking the Vacuum Pressure Levels . . . . .	46
	Checking the Gas Supplies . . . . .	48
	Checking the ESI Fused-Silica Sample Tube for Elongation . . . . .	48
	After Operating the LTQ Series System . . . . .	48
	Flushing the Inlet Components . . . . .	49
	Cleaning the Ion Sweep Cone, Spray Cone, and Ion Transfer Tube . . . . .	51
	Purging the Oil in the Forepump . . . . .	51
	Emptying the Solvent Waste Container . . . . .	51
	Placing the System in Standby Mode . . . . .	51
<b>Chapter 5</b>	<b>Maintenance . . . . .</b>	<b>53</b>
	Maintenance Schedule . . . . .	54
	Work Area Preparation . . . . .	55
	Guidelines . . . . .	55
	Tools and Supplies . . . . .	56
	API Source Housing Maintenance . . . . .	58
	API Source Probe Maintenance . . . . .	58
	ESI Probe Maintenance . . . . .	59
	HESI-II Probe Maintenance . . . . .	71
	APCI Probe Maintenance . . . . .	74
	API Source Interface Maintenance . . . . .	79
	Removing the API Source Interface . . . . .	80
	Cleaning the Exit Lens and S-Lens on the Velos Pro MS . . . . .	81
	Cleaning the Skimmer and Tube Lens on the LTQ XL and LXQ Mass Spectrometers . . . . .	83
	Cleaning the API Ion Transfer Tube, Spray Cone, and Ion Sweep Cone . . . . .	87
	Reinstalling the API Source Interface . . . . .	92

MP00 RF Lens Maintenance . . . . .	93
Removing the MP00 RF Lens Assembly . . . . .	94
Disassembling the MP00 RF Lens Assembly . . . . .	96
Cleaning the MP00 RF Lens Assembly Components. . . . .	97
Reassembling the MP00 RF Lens Assembly. . . . .	98
Reinstalling the MP00 RF Lens Assembly . . . . .	98
MP0 and MP1 Ion Guides Maintenance. . . . .	99
Removing the Top Cover of the Mass Spectrometer . . . . .	100
Removing the Vacuum Manifold's Top Cover Plate . . . . .	102
Removing the MP0 and MP1 Ion Guides . . . . .	103
Cleaning the MP0 and MP1 Ion Guides, Lens L1, and the Split Gate Lens . . . . .	108
Reinstalling the MP0 and MP1 Ion Guides. . . . .	109
Reinstalling the Vacuum Manifold's Top Cover . . . . .	114
Reinstalling the Top Cover of the Mass Spectrometer . . . . .	114
Electron Multiplier Replacement. . . . .	115
Forepump Maintenance . . . . .	124
Fan Filter Maintenance . . . . .	124
<b>Chapter 6 Diagnostics. . . . .</b>	<b>125</b>
Running General Diagnostic Tests . . . . .	125
Using the Diagnostic Tools. . . . .	126
Running System Evaluation Tools. . . . .	127
System Evaluation Tools . . . . .	127
<b>Chapter 7 Replaceable Parts. . . . .</b>	<b>131</b>
MS Setup Kit . . . . .	132
Accessory Kits . . . . .	132
Chemical Kit. . . . .	132
PM Cleaning Kit (Optional) . . . . .	132
API Source Probes and Parts . . . . .	132
API Source Interface Parts. . . . .	133
MP00 RF Lens Parts . . . . .	134
MP0 and MP1 Ion Guide Parts. . . . .	134
Electron Multipliers . . . . .	135
Miscellaneous Parts . . . . .	136
Fittings . . . . .	136
Forepumps . . . . .	136
Vacuum Manifold Parts. . . . .	136
<b>Glossary . . . . .</b>	<b>137</b>
<b>Index . . . . .</b>	<b>141</b>

## Contents

## Figures

Figure 1.	Functional block diagram of an LTQ Series system	8
Figure 2.	Syringe pump	9
Figure 3.	Syringe pump on/off button	9
Figure 4.	Divert/inject valve button and LEDs	10
Figure 5.	Divert valve positions	11
Figure 6.	Inject valve positions	12
Figure 7.	LTQ Series MS front panel LEDs	13
Figure 8.	Power panel for the Velos Pro and LTQ XL MSs	14
Figure 9.	Power panel for the LXQ MS	14
Figure 10.	LTQ XL MS API source interface (cross section)	16
Figure 11.	LXQ MS API source interface (cross section)	17
Figure 12.	Skimmer and tube lens (back view)	18
Figure 13.	Velos Pro MS API source interface (cross section)	18
Figure 14.	Velos Pro MS exit lens and S-lens (back view)	19
Figure 15.	MP00 rf lens (LTQ XL MS on the left and Velos Pro MS on the right)	20
Figure 16.	MP0 with a beam stop post for the Velos Pro MS	21
Figure 17.	MP0 for the LTQ Velos MS	21
Figure 18.	MP0 for the LTQ XL and LXQ MSs	22
Figure 19.	MP1 ion optics	22
Figure 20.	LTQ XL MS linear ion trap rod assembly	24
Figure 21.	Visual representation of mass analyzer operation	26
Figure 22.	Functional block diagram of the vacuum system	28
Figure 23.	LXQ MS vacuum manifold with top cover plate and turbomolecular pump	29
Figure 24.	Turbomolecular pump	30
Figure 25.	Tune Plus window for Velos Pro MS	34
Figure 26.	Vacuum dialog box	46
Figure 27.	APCI Source dialog box	49
Figure 28.	ESI Source dialog box	50
Figure 29.	Two-piece fingertight fitting and loosened sample inlet adapter fitting	60
Figure 30.	ESI probe with the nozzle removed	61
Figure 31.	ESI nozzle and O-ring	63
Figure 32.	Front end of the ESI probe (exploded view)	64
Figure 33.	Fused-silica sample tube inserted through the front of the ESI probe	66
Figure 34.	Natural PEEK safety sleeve installed in the sample inlet (ESI probe)	67
Figure 35.	Natural PEEK adapter fitting installed to secure the safety sleeve (ESI probe)	67
Figure 36.	Fingertight fittings installed over the safety sleeve (ESI probe)	68
Figure 37.	Grounding union positioned in the grounding bar	68

Figure 38.	Safety sleeve connection to the grounding union (ESI probe) . . . . .	69
Figure 39.	Sample tube securely tightened to the grounding union (ESI probe) . . . . .	69
Figure 40.	Adjusting the sample tube position (ESI probe) . . . . .	70
Figure 41.	Sample tube position for flow rates greater than 100 $\mu$ L/min (ESI probe) . . . . .	70
Figure 42.	Components of the metal ESI needle insert . . . . .	72
Figure 43.	Tip (enlarged) of the metal ESI needle insert . . . . .	72
Figure 44.	HESI-II probe disassembled (exploded view) . . . . .	73
Figure 45.	HESI-II probe nozzle tip (enlarged) . . . . .	73
Figure 46.	APCI probe . . . . .	74
Figure 47.	APCI probe (cross section) . . . . .	74
Figure 48.	Sample inlet end of the APCI probe showing locked and unlocked nozzles. . . . .	75
Figure 49.	APCI probe nozzle assembly. . . . .	76
Figure 50.	3/8 in. open-end wrench on the APCI flange fitting. . . . .	77
Figure 51.	APCI sample tube connection. . . . .	77
Figure 52.	Sample tubing connection to the APCI flange fitting . . . . .	78
Figure 53.	Sample tube extending past the APCI nozzle tip. . . . .	78
Figure 54.	API source interface removed from the vacuum manifold. . . . .	81
Figure 55.	Exit lens, S-lens, and API source interface cage for the Velos Pro MS . . . . .	82
Figure 56.	Skimmer, tube lens, and API source interface cage for the LTQ XL and LXQ MSs . . . . .	84
Figure 57.	LTQ XL MS API source interface cage . . . . .	86
Figure 58.	Vacuum dialog box. . . . .	87
Figure 59.	Inlet Direct Control dialog box for an Accela 1250 Pump . . . . .	88
Figure 60.	Ion sweep cones . . . . .	89
Figure 61.	Ion transfer tube removal tool. . . . .	90
Figure 62.	API source interface components for the LTQ XL and LXQ MSs . . . . .	91
Figure 63.	API source interface components for the Velos Pro MS . . . . .	91
Figure 64.	MP00 rf lens assembly removal. . . . .	95
Figure 65.	MP00 and lens L0 wiring connections (LTQ XL MS) . . . . .	96
Figure 66.	MP00 rf lens assembly (LTQ XL MS) . . . . .	97
Figure 67.	Front door latch . . . . .	100
Figure 68.	Top cover screws. . . . .	101
Figure 69.	Top cover pushed back. . . . .	101
Figure 70.	Electrical connections to the top cover plate of the vacuum manifold. . . . .	102
Figure 71.	MP0 and MP1 ion guides for the Velos Pro MS (exploded view) . . . . .	104
Figure 72.	MP0 and MP1 ion guides for the LTQ Velos MS (exploded view). . . . .	105
Figure 73.	MP0 and MP1 ion guides for the LTQ XL MS (exploded view). . . . .	106
Figure 74.	MP0 and MP1 ion guides for the LXQ MS (exploded view) . . . . .	107
Figure 75.	Velos Pro MS wiring diagram for the MP0 and MP1 ion guides . . . . .	111
Figure 76.	LTQ XL MS wiring diagram for the MP0 and MP1 ion guides . . . . .	112
Figure 77.	LXQ MS wiring diagram for the MP0 and MP1 ion guides . . . . .	113
Figure 78.	Electron multipliers and shield retainers (Velos Pro MS) . . . . .	116
Figure 79.	Electron multipliers and dual anode (LTQ XL MS) . . . . .	117
Figure 80.	Placement of screws for the left and right electron multipliers (top view) . . . . .	117
Figure 81.	Placement of the electron multipliers and shield retainers on the top cover plate . . . . .	118
Figure 82.	Diagnostics dialog box showing the Set Device list . . . . .	119
Figure 83.	Diagnostics dialog box showing the electron multiplier voltage parameters. . . . .	119

Figure 84. Diagnostics dialog box showing the Mass Calibration page. . . . . 121

Figure 85. Calibrate dialog box showing the Automatic page. . . . . 122

Figure 86. Semi-Automatic page in the Calibrate dialog box (Velos Pro MS) . . . . . 123

Figure 87. Semi-Automatic page in the Calibrate dialog box (LTQ XL and LXQ MSs). . 123

Figure 88. Diagnostics dialog box showing the general test page . . . . . 126

Figure 89. Diagnostics dialog box showing the Tools System Evaluation page. . . . . 127

## Figures



# Preface

The *LTQ Series Hardware Manual* describes the modes of operation and hardware components for the Thermo Scientific™ LTQ™ Series mass spectrometers (MSs). It also provides the instruments' cleaning and maintenance procedures.

## Contents

- [LTQ Series Models](#)
- [Related Documentation](#)
- [Getting a Trap-HCD License](#)
- [Cautions and Special Notices](#)
- [Contacting Us](#)

### ❖ To suggest changes to the documentation or to the Help

Complete a brief survey about this document by clicking the button below. Thank you in advance for your help.



## LTQ Series Models

The LTQ Series documentation is intended for the following instrument models:

- Velos Pro™, a dual-cell 2D linear ion trap MS
- LTQ XL™, a three-segment 2D linear ion trap MS
- LTQ Velos™, a dual-cell 2D linear ion trap MS
- LXQ™, a single-segment 2D linear ion trap MS

**Note** Unless otherwise noted:

- For the LTQ Velos MS, follow the Velos Pro MS information.
- For the LXQ MS, follow the LTQ XL MS information.

## Related Documentation

An LTQ Series mass spectrometer includes complete documentation. In addition to this guide, you can also access the following documents as PDF files from the data system computer:

- *LTQ Series Preinstallation Requirements Guide*
- *LTQ Series Getting Connected Guide*
- *LTQ Series Getting Started Guide*
- *Ion Max and Ion Max-S API Source Hardware Manual*
- *ETD Module Getting Started Guide* (with the MS/ETD system)
- *ETD Module Hardware Manual* (with the MS/ETD system)
- *MALDI Source Getting Started Guide* (with the MALDI LTQ XL system)
- *MALDI Source Hardware Manual* (with the MALDI LTQ XL system)
- *Achieving Peak Instrument Performance Reference Manual*

This document is for use with the following stand-alone mass spectrometers and hybrid Orbitrap™ systems: LTQ Velos, Velos Pro, LTQ Orbitrap Velos, Orbitrap Velos Pro™, and Orbitrap Elite™.

- *Safety and Regulatory Guide*

The LTQ Series also ships with a printed copy of the *Safety and Regulatory Guide*. This guide contains important safety information about Thermo Scientific liquid chromatography (LC) and mass spectrometry (MS) systems. Make sure that all lab personnel have read and have access to this document.

### ❖ To view the product manuals

From the Microsoft™ Windows™ taskbar, choose **Start > All Programs > Thermo Instruments > Manuals > *model***, where *model* is your specific model, and then open the PDF file to view it.

**Note** For Thermo Xcalibur™ version 2.0.7 or earlier (Microsoft Windows XP operating system), choose **Start > All Programs > Xcalibur > Manuals > LTQ > *model***.

The LTQ Series application also provides Help.

### ❖ To view the data system Help

- From the application window, choose **Help** from the menu bar.
- If information about setting parameters is available for a specific view, page, or dialog box, click **Help** or press the F1 key for information about setting parameters.

### ❖ To download user documentation from the Thermo Scientific website

1. Go to [www.thermoscientific.com](http://www.thermoscientific.com).
2. In the Search box, type the product name and press ENTER.
3. In the left pane, select **Documents & Videos**, and then under Refine By Category, click **Operations and Maintenance**.
4. (Optional) Narrow the search results or modify the display as applicable:
  - For all related user manuals and quick references, click **Operator Manuals**.
  - For installation and preinstallation requirements guides, click **Installation Instructions**.
  - For documents translated into a specific language, use the Refine By Language feature.
  - Use the Sort By options or the Refine Your Search box (above the search results display).
5. Download the document as follows:
  - a. Click the document title or click **Download** to open the file.
  - b. Save the file.

## Getting a Trap-HCD License

Ion trap higher energy collision-induced dissociation (Trap-HCD) fragmentation is an optional feature for the Velos Pro MS. If you purchased this option, you must obtain a new license from Thermo Fisher Scientific and install it in your system before you can use this feature.

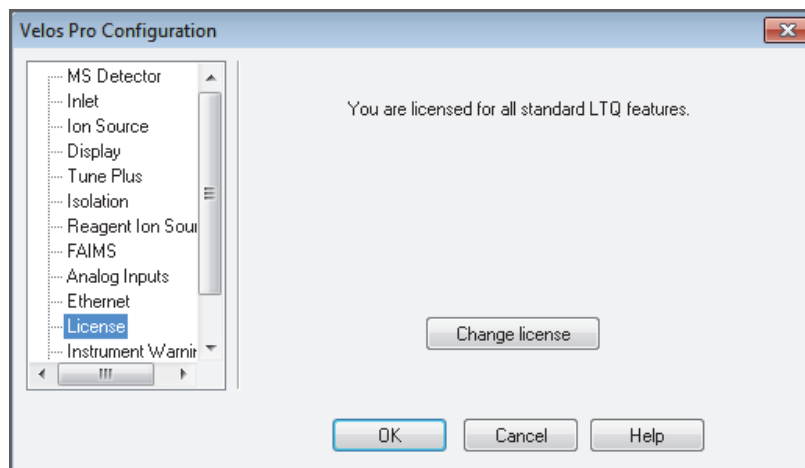
**Note** The Velos Pro MS includes a 90-day trial version of the Trap-HCD license. If you did not purchase this license, a reminder dialog box will appear notifying you that the trial period is close to expiring.

## Getting a New License Code

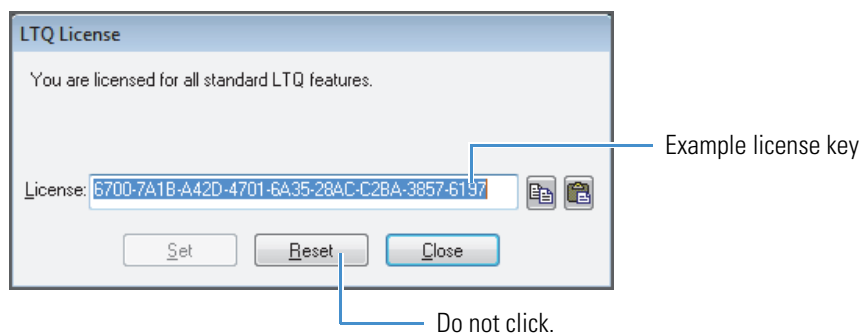
You can request a license code through email or fax (see [page xxiv](#)). These instructions cover email requests that you send to a specific Thermo Fisher Scientific email address.

### ❖ To get a Trap-HCD license code

1. Choose **Start > All Programs > Thermo Foundation > Instrument Configuration** to open the Thermo Foundation™ Instrument Configuration window.
2. Under Available Devices, select the **Velos Pro MS** icon and click **Add**.
3. Under Configured Devices, select the **Velos Pro MS** icon and click **Configure** to open the Velos Pro Configuration dialog box.
4. Select License and click **Change License** to open the LTQ License dialog box.



5. Highlight the license key in the License box.



6. Press CTRL+C to copy the license key to the Windows Clipboard.
7. Click **Close**.

**Note** Do not click Reset in the LTQ License dialog box. If you do, you must reopen the LTQ License dialog box to copy a new license key for [step 8](#).

8. Send an email message to [ThermoMSLicensing@thermofisher.com](mailto:ThermoMSLicensing@thermofisher.com):
  - In the Subject line, type **License Request**.
  - In the body of the email message, paste the license key and type your name, company name, and phone number.
  - If you purchased the Trap-HCD option, locate the bar code on the *License Trap-HCD for Velos Pro* card that came with the instrument. In the body of the email message, type the product key that appears below the bar code.
  - If you did not purchase the Trap-HCD option with the instrument, contact your local Thermo Fisher Scientific Technical Sales representative.

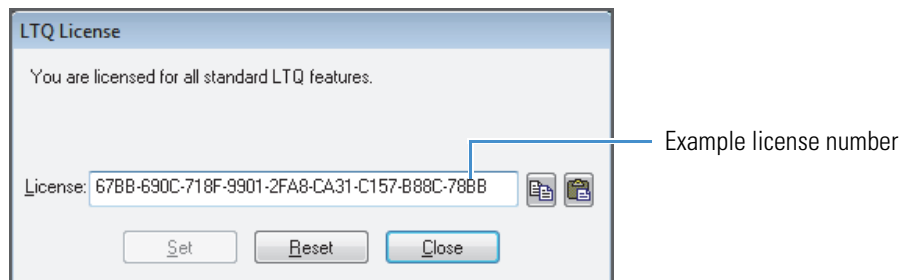
When Thermo Fisher Scientific Customer Support sends you a new license code, see [“Installing a New License Code.”](#)

## Installing a New License Code

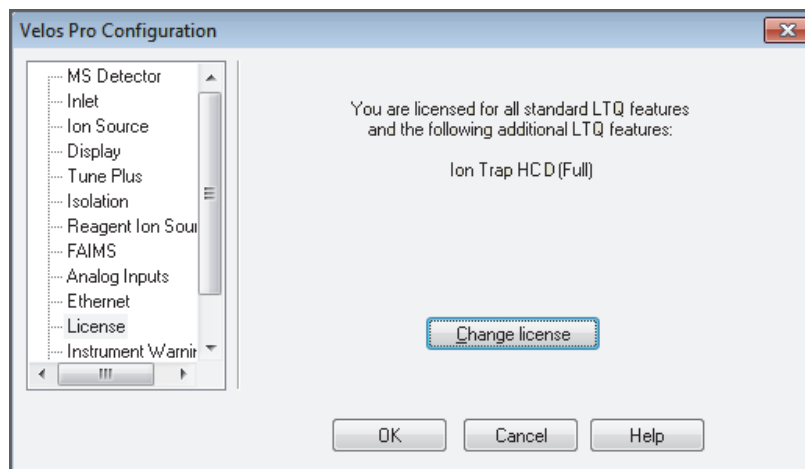
After you receive your new license code, follow this procedure.

### ❖ To install the HCD license number

1. Open the LTQ License dialog box (see [step 1](#) through [step 4](#) on [page xx](#)).
2. In the License box, paste a copy of the new license number from the email message and click **Set**.



3. Click **OK** when the following message appears:  
The new license number has been set.
4. In the Velos Pro Configuration dialog box, verify the addition of the Ion Trap HCD (Full) feature and click **OK**.



5. Restart the data system and then the Velos Pro MS.

## Cautions and Special Notices

Make sure you follow the cautions and special notices presented in this guide. Cautions and special notices appear in boxes; those concerning safety or possible system damage also have corresponding caution symbols.

This guide uses the following types of cautions and special notices.



**CAUTION** Highlights hazards to humans, property, or the environment. Each CAUTION notice is accompanied by an appropriate CAUTION symbol.




**IMPORTANT** Highlights information necessary to prevent damage to software, loss of data, or invalid test results; or might contain information that is critical for optimal performance of the system.

**Note** Highlights information of general interest.



**Tip** Highlights helpful information that can make a task easier.

The *LTQ Series Hardware Manual* contains the following caution-specific symbols (Table 1).

**Table 1.** Caution-specific symbols and their meanings (Sheet 1 of 2)






Symbol	Meaning
	<b>Chemical hazard:</b> Observe Good Laboratory Practices (GLP) when handling chemicals. Only work with volatile chemicals under a fume or exhaust hood. Wear gloves and other protective equipment, as appropriate, when handling toxic, carcinogenic, mutagenic, corrosive, or irritant chemicals. Use approved containers and proper procedures to dispose of waste oil and when handling wetted parts of the instrument.
	<b>Hot surface:</b> Allow heated components to cool before touching or servicing the instrument.
	<b>Risk of electric shock:</b> This instrument uses voltages that can cause electric shock and/or personal injury. Before servicing, shut down the instrument and disconnect it from line power. While operating the instrument, keep covers on.

**Table 1.** Caution-specific symbols and their meanings (Sheet 2 of 2)



Symbol	Meaning
	<b>Risk of eye injury:</b> Eye injury could occur from splattered chemicals or airborne particles. Wear safety glasses when handling chemicals or servicing the instrument.
	<b>Sharp object:</b> Avoid handling the tip of the syringe needle or the corona needle that is located inside the API source.

## Contacting Us

There are several ways to contact Thermo Fisher Scientific for the information you need. You can use your smartphone to scan a QR code, which opens your email application or browser.

Contact us	Customer Service and Sales	Technical Support
	(U.S.) 1 (800) 532-4752	(U.S.) 1 (800) 532-4752
	(U.S.) 1 (561) 688-8731	(U.S.) 1 (561) 688-8736
	<a href="mailto:us.customer-support.analyze@thermofisher.com">us.customer-support.analyze@thermofisher.com</a> 	<a href="mailto:us.techsupport.analyze@thermofisher.com">us.techsupport.analyze@thermofisher.com</a> 



Contact us	Customer Service and Sales	Technical Support
	<b>❖ To find global contact information or customize your request</b>	
	<ol style="list-style-type: none"><li>1. Go to <a href="http://www.thermoscientific.com">www.thermoscientific.com</a>.</li><li>2. Click <b>Contact Us</b>, select the <b>Using/Serviceing a Product</b> option, and then type the product name.</li><li>3. Use the phone number, email address, or online form.</li></ol>	
	<b>❖ To find product support, knowledge bases, and resources</b>	
	Go to <a href="http://www.thermoscientific.com/support">www.thermoscientific.com/support</a> .	
	<b>❖ To find product information</b>	
	Go to <a href="http://www.thermoscientific.com/lc-ms">www.thermoscientific.com/lc-ms</a> .	

**Note** To provide feedback for this document:

- Send an email message to Technical Publications ([techpubs-lcms@thermofisher.com](mailto:techpubs-lcms@thermofisher.com)).
- Complete a survey at [www.surveymonkey.com/s/PQM6P62](http://www.surveymonkey.com/s/PQM6P62).



# Introduction

The LTQ Series linear ion trap mass spectrometers are part of the Thermo Scientific family of mass spectrometers.

**Note** The [Glossary](#) defines some of the terms used in this manual.

## Contents

- [LTQ Series Mass Spectrometers](#)
- [Overview of an LC/MS Analysis](#)

## LTQ Series Mass Spectrometers

The LTQ Series MSs include the models listed in this section. Descriptions of the various hardware components are in [Chapter 2, “Functional Description.”](#)

- [Velos Pro MS](#)
- [LTQ Velos MS](#)
- [LTQ XL MS](#)
- [LXQ MS](#)

## Velos Pro MS

Model Velos Pro is a dual-cell 2D linear ion trap mass spectrometer that includes a syringe pump, a divert/inject valve, and an Ion Max™ API source. This instrument has an improved ion detection system and other added features.



## LTQ Velos MS

Model LTQ Velos is a dual-cell 2D linear ion trap mass spectrometer that includes a syringe pump, a divert/inject valve, and an Ion Max API source.



## LTQ XL MS

Model LTQ XL is a three-segment 2D linear ion trap mass spectrometer that includes a syringe pump, a divert/inject valve, and an Ion Max API source.



## LXQ MS

Model LXQ is a single-segment 2D linear ion trap mass spectrometer that includes a syringe pump, a divert/inject valve, and an Ion Max-S™ API source.



## Overview of an LC/MS Analysis

In a typical LC/MS analysis, the liquid chromatograph (LC) portion of the system separates a mixture into its chemical components. The **LC pump** produces a solvent stream (the mobile phase) that passes through an LC column (containing the stationary phase) under high pressure. An **autosampler** introduces a measured quantity of sample into this solvent stream. As the solvent stream passes through the LC column, the sample separates into its chemical components. The rate at which the components of the sample elute from the column depends on their relative affinities to the mobile phase and the solid particles that make up the column packing.

As the separated chemical components exit the LC column, they pass through a transfer line and enter the LTQ Series MS where they are ionized and analyzed. As the instrument analyzes the ionized components and determines their mass-to-charge ( $m/z$ ) ratios, it sends a data stream to the data system computer. In addition to supplying information about the mass-to-charge ratios of ionized compounds, the instrument can also supply structural and quantitative information by performing  $MS^n$  experiments.

Because the instrument has a built-in **syringe pump** and **divert/inject valve**, it provides four additional ways to introduce a sample into the instrument, described in [Table 2](#).

**Table 2.** Introducing samples into the instrument

Method to introduce sample	Description
Automated loop injection	Connect a <b>sample loop</b> , an LC pump, and the syringe pump to the divert/inject valve. After you connect the plumbing, specify the flow rate at which the syringe pump fills the sample loop. After the loop is filled, the data system triggers an injection.
High-flow infusion	Use a union tee to combine the flow from the syringe pump with the flow from an LC pump.
Infusion	Connect the built-in syringe pump directly to the <b>atmospheric pressure ionization (API)</b> source of the instrument.
Manual loop injection	Connect a sample loop, a needle port fitting, and an LC pump to the divert/inject valve. After you fill the sample loop with sample, switch the position of the divert/inject valve, which places the contents of the sample loop in the path of the solvent flow produced by the LC pump.

The instrument consists of an **API source**, **ion optics**, a **mass analyzer**, and an **ion detection system**. The ion optics, mass analyzer, ion detection system, and part of the API source are enclosed in a **vacuum manifold**.

Ionization of the sample takes place in the API source. The specific method used to ionize the sample is referred to as the ionization technique. The ion optics transmit the ions produced in the API source into the mass analyzer, where they are trapped in stable orbits by a time-varying electric field. The polarity of the potentials applied to the API source and ion optics determines whether positively charged ions or negatively charged ions are transmitted to the mass analyzer. You can set up data acquisition methods for the instrument to analyze positively or negatively charged ions or to switch between these polarity modes during a single run.

Certain [lenses](#) in the API source and ion optics act as a gate to start and stop the transmission of ions from the API source to the mass analyzer. An [Automatic Gain Control™ \(AGC\)](#) process controls the function of these lenses and sets them to transmit the optimum number of ions to the mass analyzer.

The mass analyzer measures the mass-to-charge ratios of the ions produced in the API source. Selected ions are ejected from the mass analyzer and reach the ion detection system where they produce a signal. The detection system electronics then amplify this signal for display and analysis by the data system.

The data system serves as the user interface to the instrument, autosampler, LC, and syringe pump. Refer to the data system Help for more information about the LTQ Series data processing and instrument control application.

Each sequence of loading the mass analyzer with ions followed by mass analysis of the ions is called a [scan](#). The instrument uses several different scan modes and different scan types to load, fragment, and eject ions from the mass analyzer. The ability to vary the scan mode and scan type, as well as the ionization and ion polarity modes, provides greater flexibility in the instrumentation for solving complex analytical problems.

For information about the [electrospray \(ESI\)](#) and [atmospheric pressure chemical ionization \(APCI\)](#) techniques, refer to the *Ion Max and Ion Max-S API Source Hardware Manual*. For information about the [atmospheric pressure photoionization \(APPI\)](#) technique, refer to the *Ion Max APPI Source User Manual*. For more information about the [nanoelectrospray \(nanoESI or NSI\)](#) technique, refer to the manual that came with your NSI source.

## **1 Introduction**

Overview of an LC/MS Analysis



## Functional Description

This chapter describes the principal components of the LTQ Series MS and their functions.

**Note** Unless otherwise noted:

- For the LTQ Velos MS, follow the Velos Pro MS information.
- For the LXQ MS, follow the LTQ XL MS information.

### Contents

- [Overview](#)
- [Syringe Pump](#)
- [Divert/Inject Valve](#)
- [Mass Spectrometer](#)

## Overview

[Figure 1](#) shows a functional block diagram of an LTQ Series system that uses either a liquid chromatograph with an autosampler or the syringe pump as the inlet. A sample transfer line connects the LC to the mass spectrometer. The autosampler and LC are usually installed to the left of the instrument. The divert/inject valve is integrated into the front panel of the instrument.

In a typical analysis by LC/MS, a sample is injected onto an LC column. The sample then separates into its various components. The components elute from the LC column and pass into the instrument for analysis.

Upon entering the atmospheric pressure ionization (API) source, sample molecules are ionized and desolvated into the gas phase by any of these methods:

- Electrospray ionization (ESI)
- Heated-electrospray ionization (H-ESI)
- Atmospheric pressure chemical ionization (APCI)

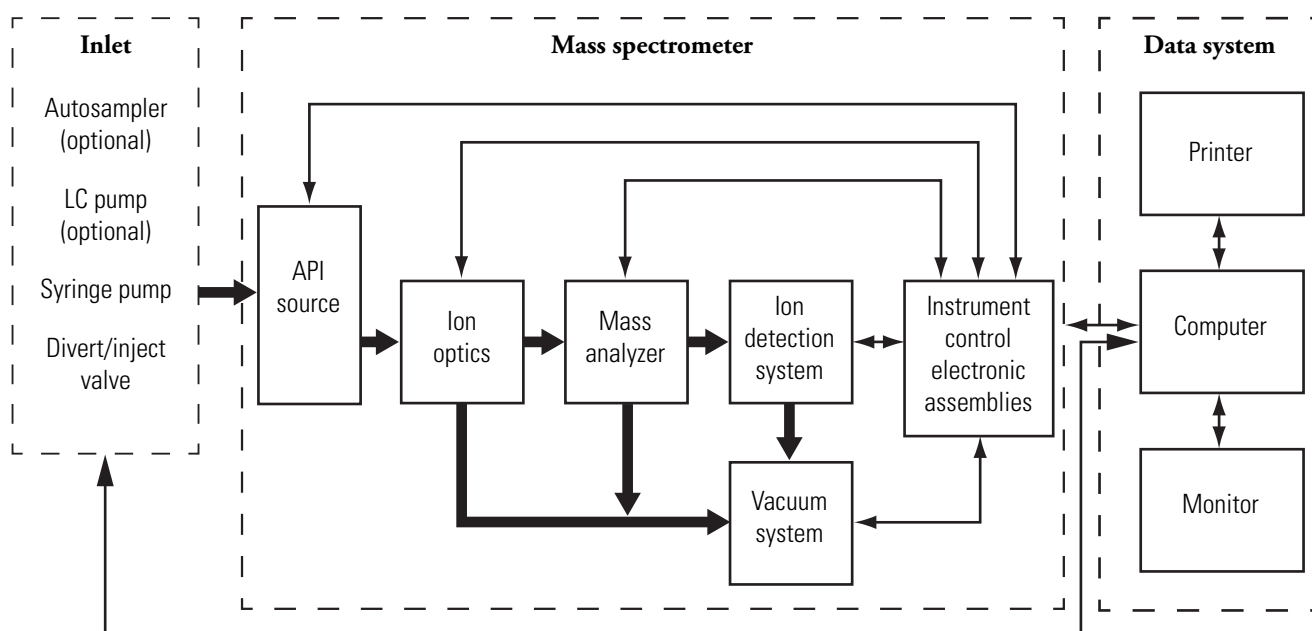
## 2 Functional Description

### Overview

- Atmospheric pressure photoionization (APPI)
- Nanospray ionization (NSI)

The ion optics focus and accelerate the resulting gas-phase sample ions into the [mass analyzer](#), where they are isolated and ejected according to their mass-to-charge ratios. As the mass analyzer ejects the sample ions, they are detected by a detection system that includes one or two electron multipliers and that produces a signal proportional to the number of ions detected. The system electronics receive and amplify the ion current signal from the ion detection systems. The signal then passes on to the data system for further processing, storage, and display. The data system provides the primary mass spectrometer user interface.

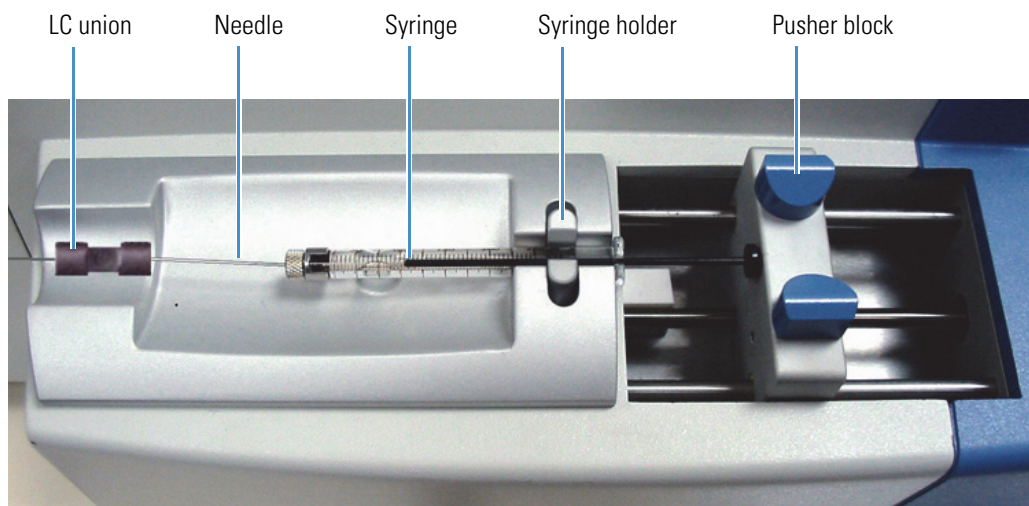
**Figure 1.** Functional block diagram of an LTQ Series system



## Syringe Pump

The LTQ Series MS includes an electronically controlled, integrated syringe pump (see [Figure 2](#)). The syringe pump delivers sample solution from the syringe into the API source.

**Figure 2.** Syringe pump



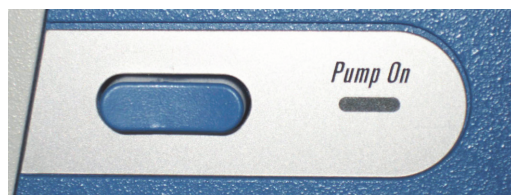
When the syringe pump is operating, a motor drives the pusher block that depresses the plunger of the syringe at a user-selectable rate. Liquid flows out of the syringe needle and into the sample transfer line as the plunger is depressed. A syringe holder holds the syringe in place.

For instructions about setting up the syringe pump, refer to the *LTQ Series Getting Started Guide*.

### Syringe Pump On/Off Button

The blue button located on the front panel above the syringe pump ([Figure 3](#)) turns the syringe pump on and off. The motor has two speeds, normal and fast. The normal speed produces the flow rate specified in the data system. Pressing and releasing the button turns on the syringe pump and sets the motor speed to the normal speed. Pressing and holding the button in causes the motor to move the pusher block at the fast speed; the motor maintains the fast speed until you release the button or the pusher block reaches the end of its path. When you release the button, the pusher block slows to normal speed. Pushing the button a second time turns off the syringe pump.

**Figure 3.** Syringe pump on/off button



## Syringe Pump LED

A light-emitting diode (LED) to the right of the on/off button indicates whether the pump is on or off. [Table 3](#) lists the states of the syringe pump LED.

**Table 3.** Syringe pump LED states

State	Meaning
Not illuminated	The syringe pump is off.
Steady green	The syringe pump is on. The pusher block is moving at a normal speed that produces the flow rate specified in the data system. The allowable flow rate setting depends on the syringe size.
Flashing green	The syringe pump is on and the pusher block is moving at the fast speed.

## Divert/Inject Valve

The divert/inject valve is located on the front of the LTQ Series MS to the left of the API source.

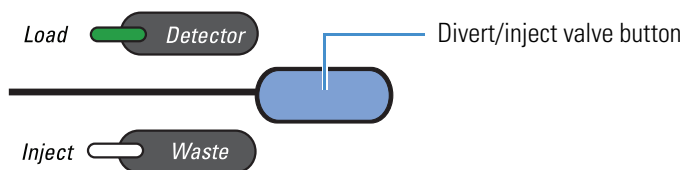
You can configure (plumb) the divert/inject valve in one of two ways: as a divert valve for direct infusion, high-flow infusion, or LC/MS experiments; or as a loop injector for flow-injection analysis. For procedures about plumbing the valve in the loop injector or configuring the divert valve, refer to the *LTQ Series Getting Started Guide*.

You can use the divert/inject valve button or the data system to control the divert/inject valve. Refer to the data system Help for instructions about operating the divert/inject valve.

## LEDs and Button

The control button for the divert/inject valve is located on the front panel to the right of the divert/inject valve. It switches the valve between two positions. The LEDs to the left of the button indicate the position of the valve ([Figure 4](#)).

**Figure 4.** Divert/inject valve button and LEDs



When the divert/inject valve is set up for loop injections (flow injection analysis [FIA]), pressing the divert/inject valve button switches the valve between the load and inject modes. The Load and Inject LEDs indicate the position of the valve.

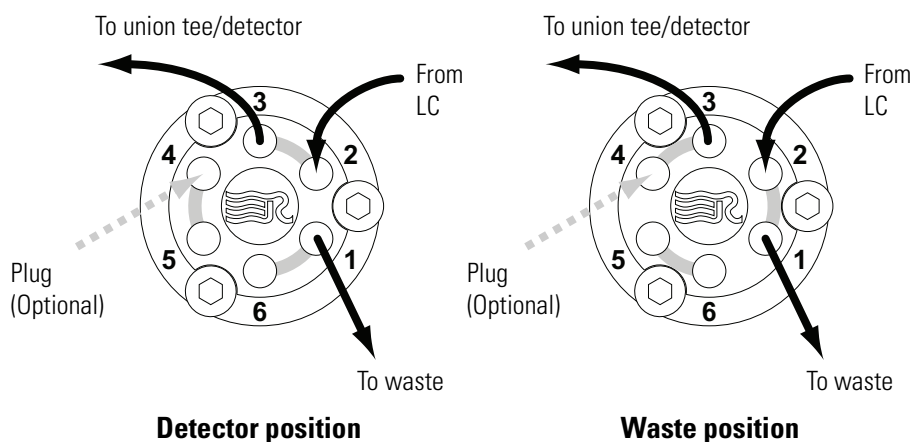
When the divert/inject valve is set up for divert valve operation, pressing the divert/inject valve button switches the LC flow between the instrument and the waste container. The Detector and Waste LEDs indicate the position of the valve.

## Divert Valve Positions

Use the divert/inject valve to divert the solvent flow between the instrument and the waste container (Figure 5). The divert valve has two positions:

- Detector position—Solvent flow from the LC pump enters the valve through port 2 and exits through port 3 to the union tee.
- Waste position—Solvent flow from the LC pump enters the valve through port 2 and exits through port 1 to the waste container.

**Figure 5.** Divert valve positions

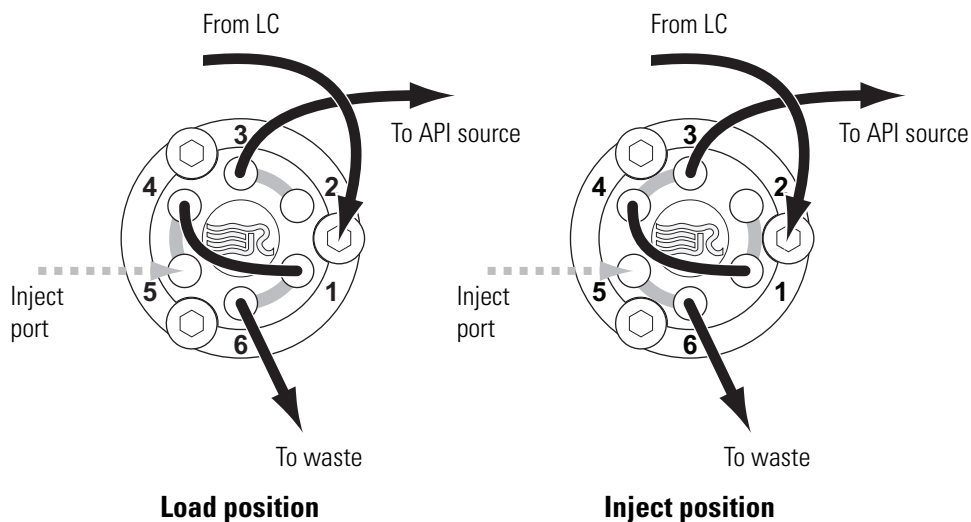


## Injection Valve Operation

In the loop injection configuration (Figure 6), use the divert/inject valve button to switch between load and inject modes. The injector valve has two positions:

- Load position—The injected sample enters the valve through port 5 and exits the sample loop through ports 4 and 1, respectively. As you overflow the sample loop, the sample solution exits the valve through port 6. Solvent flow from the LC pump enters and exits the valve through ports 2 and 3, respectively.
- Inject position—After you fill the sample loop, press the blue button above the injection valve or use the controls available in Tune Plus. Solvent flow from the LC pump backflushes sample out of the sample loop and then out of the valve through port 3 toward the detector.

**Figure 6.** Inject valve positions



## Mass Spectrometer

The LTQ Series MS provides sample ionization and mass analysis of injected samples or samples eluted from a liquid chromatograph. The instrument uses a linear ion trap mass analyzer with an API source external to the mass analyzer.

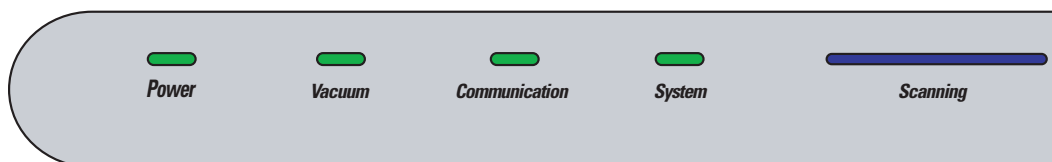
The instrument includes the following components:

- LEDs
- Power Panel
- API Source
- Ion Optics
- Mass Analyzer
- Ion Detection Systems
- Vacuum System
- Inlet Gases Hardware
- Cooling Fans

## LEDs

Figure 7 shows the LEDs on the instrument's front panel with their descriptions listed in Table 4.

**Figure 7.** LTQ Series MS front panel LEDs



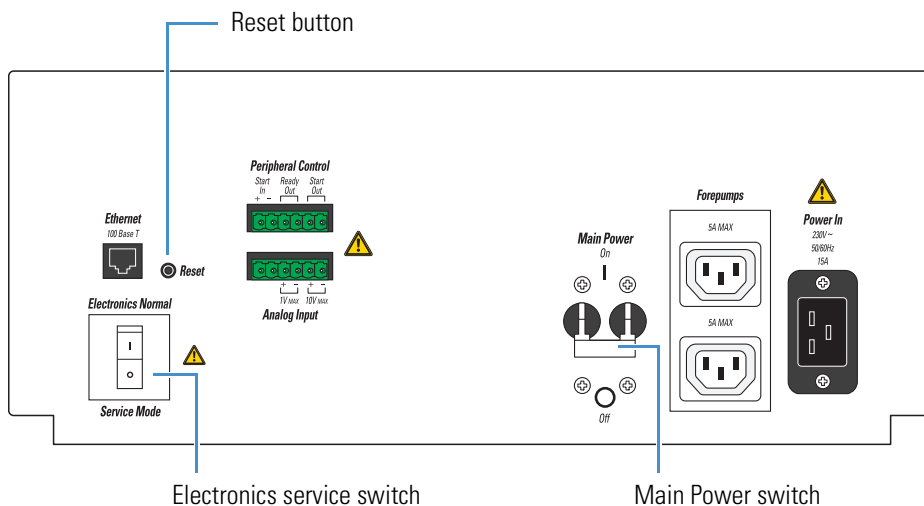
**Table 4.** LTQ Series MS status LED descriptions

LED	State	Description
Power	Green	Power is being supplied to the instrument. (The electronics service switch is in the Electronics Normal position.)
	Off	Power is not being supplied to the instrument. (The electronics service switch is in the Service Mode position.)
Vacuum	Yellow	The vacuum is outside the allowable operating range.
	Green	The vacuum is within the allowable operating range.
Communication	Yellow	The instrument and data system are trying to establish a communication link.
	Green	The instrument and data system are communicating.
System	Yellow	The instrument is in standby mode.
	Green	The instrument is on.
	Off	The instrument is off.
Scanning	Flashing blue	The instrument is on and scanning.
	Off	The instrument is not scanning.

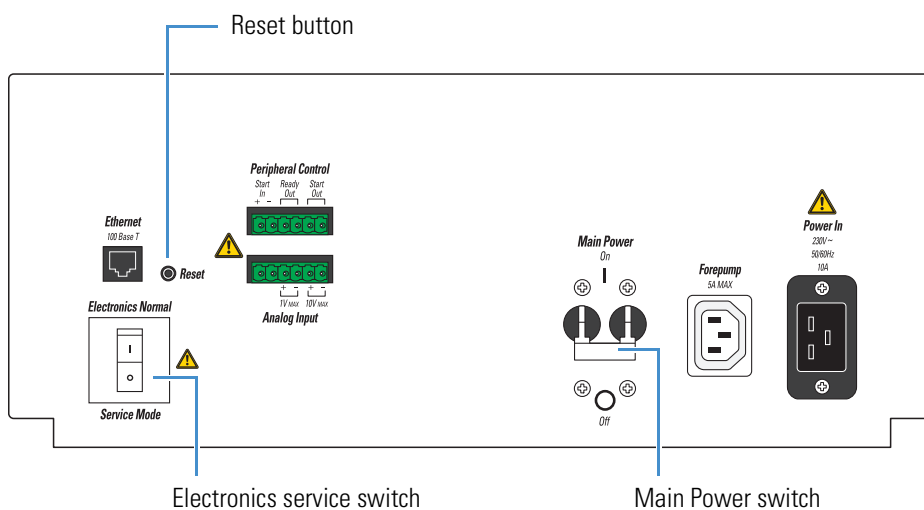
## Power Panel

The power panel is located on the right side of the instrument. [Figure 8](#) and [Figure 9](#) show the power panels for the Velos Pro, LTQ XL, and LXQ MSs.

**Figure 8.** Power panel for the Velos Pro and LTQ XL MSs



**Figure 9.** Power panel for the LXQ MS



The instrument receives line power at 230 Vac  $\pm 10\%$ , 50/60 Hz, 15 A (for the Velos Pro and LTQ XL MSs) or 10 A (for the LXQ MS) through the right-side power panel. The power panel provides system power control, a contact closure interface (Peripheral Control), an Ethernet 100Base-T connection from the instrument to the data system computer, and a system Reset button. The power panel accepts line power, filters it, and provides it to various components of the instrument.



## Main Power Switch

In the Off position, the Main Power (circuit breaker) switch removes all power to the instrument, including the external forepump or forepumps. In the On position, power is supplied to the instrument. In the standard operational mode, the switch stays in the On position.



**CAUTION** To shut off all power to the mass spectrometer in an emergency, place the main power circuit breaker switch (labeled *Main Power*) in the Off (down) position. Do not use the electronics service switch.

## Electronics Service Switch

The electronics service switch is a circuit breaker. In the Service Mode position, the switch removes power to all components of the instrument except for the fans and vacuum system. This setting allows you to service nonvacuum system components with the vacuum system still operating. In the Electronics Normal position, all components of the instrument have power.

## Reset Button

When you briefly press the reset button, the embedded processing system and digital circuitry reset and the system software reloads from the data system. For information about resetting the instrument, see “[Resetting the Mass Spectrometer](#)” on [page 39](#).

## API Source

The API source forms gas phase sample ions from sample molecules that are contained in solution. The API source also serves as the interface between the LC and the instrument. You can operate the API source in the ESI, H-ESI, NSI, APPI, or APCI mode.

For more information about the API source, refer to Chapter 2, “Setting Up the API Source,” in the *LTQ Series Getting Started Guide*.

## API Source Interface

The API source interface for the LTQ Series MS consists of the components of the API source that are held under vacuum (except for the atmospheric pressure side of the [ion sweep cone](#)) in a vacuum chamber that the one or two forepumps evacuate.

The ion sweep cone is a metal cone over the [API ion transfer tube](#). The ion sweep cone acts as a physical barrier that protects the entrance of the ion transfer tube and increases source robustness.

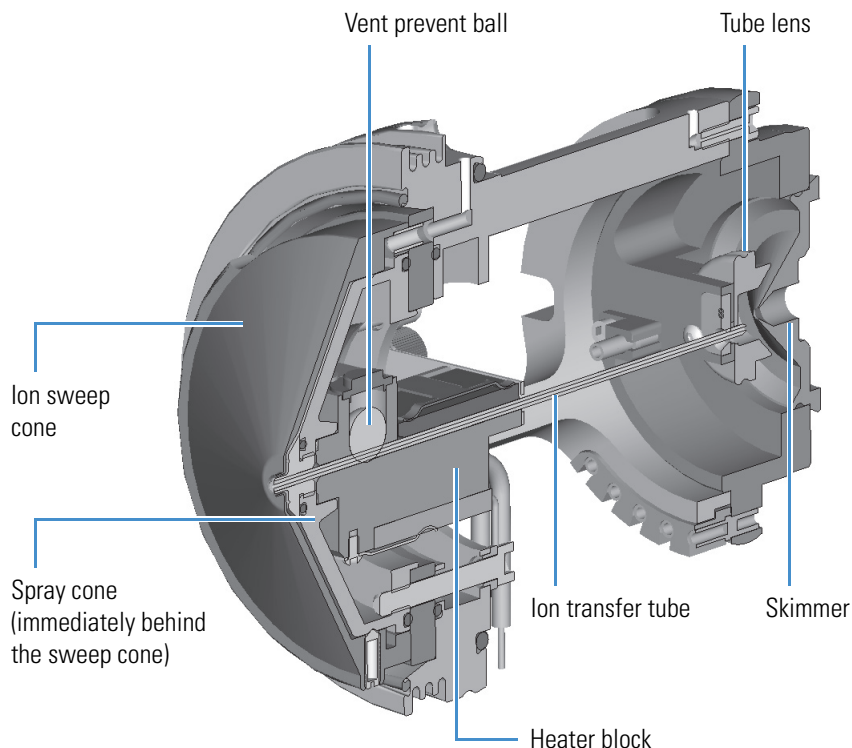
The ion transfer tube is a metal, cylindrical tube that assists in desolvating ions produced by the API probe while transferring them into the vacuum system.

The heater block contains two heater cartridges, surrounds the ion transfer tube, and heats the tube to temperatures up to 400 °C (752 °F). A probe sensor measures the temperature of the heater block. A decreasing pressure gradient draws ions into the ion transfer tube in the atmospheric pressure region and transports them to the ion transfer tube–skimmer or ion transfer tube–S-lens region, as applicable, of the vacuum manifold. The vent prevent ball stops air from entering the vacuum manifold when the tube is removed so that you can remove the ion transfer tube for cleaning without venting the system.

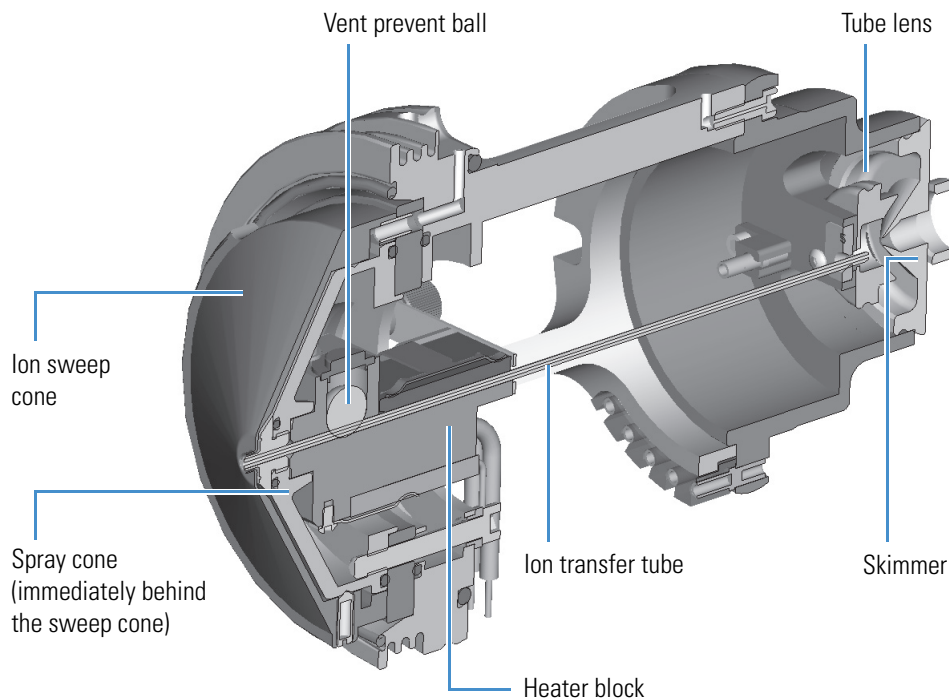
## LTQ XL and LXQ MSs

The API source interface in the LTQ XL and LXQ MSs includes an ion sweep cone, an ion transfer tube, two cartridge heaters, a heater block, a sensor, an API tube lens, a skimmer, and a vent prevent ball (Figure 10 and Figure 11). The tube lens and skimmer mount to the API source interface cage.

**Figure 10.** LTQ XL MS API source interface (cross section)



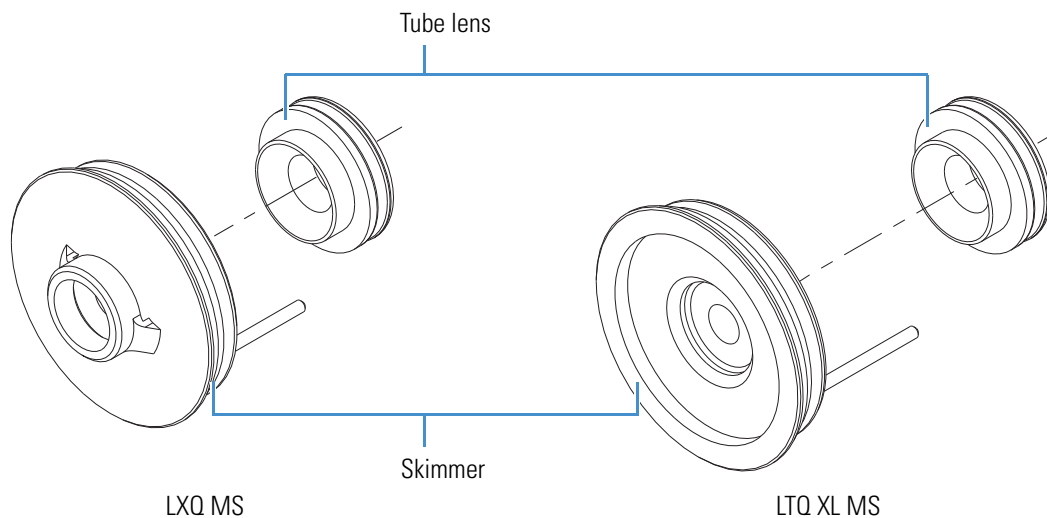
**Figure 11.** LXQ MS API source interface (cross section)



For the LTQ XL and LXQ MSs, ions from the ion transfer tube enter the tube lens (Figure 12). The **API tube lens offset voltage** applied to the tube lens accelerates the ions into the background gas that is present in the ion transfer tube–skimmer region. Collisions with the background gas aid in the desolvation of the ions and increase sensitivity. However, if the tube lens offset voltage is too high, collisions with the background gas can be energetic enough to cause ion fragmentation. This fragmentation, or **collision-induced dissociation (CID)**, in the ion transfer tube–skimmer region decreases sensitivity. Therefore, when you tune the LTQ XL or LXQ MS, adjust the tube lens offset voltage to maximize sensitivity by balancing desolvation with fragmentation.

Ions from the tube lens pass through the skimmer and move toward the MP00 **rf lens**. The skimmer acts as a vacuum baffle between the higher pressure API source interface region and the lower pressure MP00 **rf lens** region of the vacuum manifold.

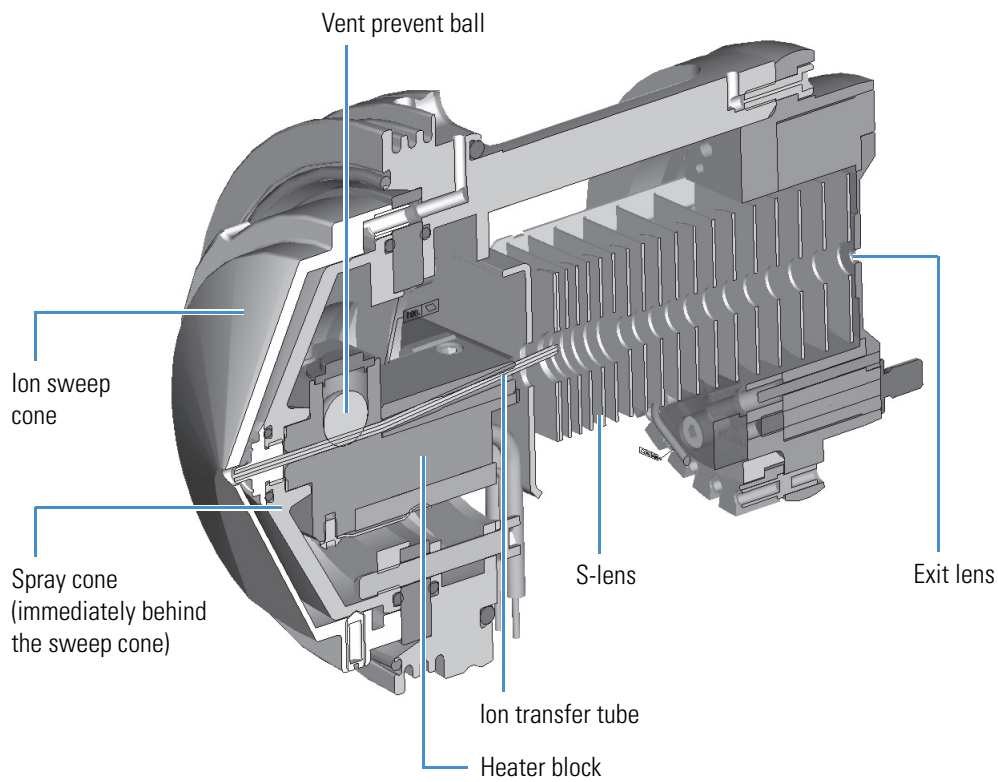
**Figure 12.** Skimmer and tube lens (back view)



## Velos Pro MS

The API source interface in the Velos Pro MS (Figure 13) includes an ion sweep cone, an ion transfer tube, two cartridge heaters, a heater block, a sensor, an S-lens, an exit lens, and a vent prevent ball. The S-lens and exit lens mount to the API source interface cage.

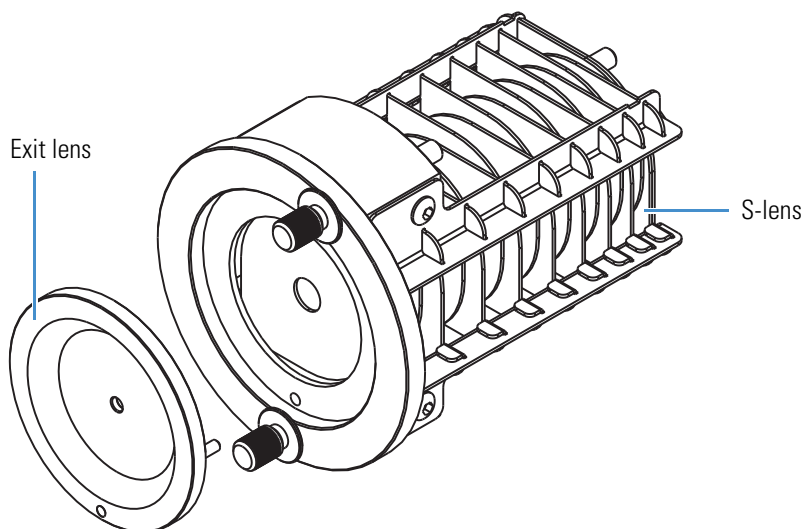
**Figure 13.** Velos Pro MS API source interface (cross section)



Ions from the ion transfer tube enter the S-lens. Rf is applied to the S-lens to focus the ions toward the opening of the exit lens. When you tune the Velos Pro MS, adjust the S-lens rf to maximize sensitivity.

The Velos Pro MS uses an S-lens and exit lens rather than a tube lens and skimmer. The exit lens acts as a vacuum baffle between the higher pressure API source interface region and the lower pressure MP00 rf lens region of the vacuum manifold. The S-lens is an ion transmission device consisting of progressively spaced, stainless steel electrodes (Figure 14). An rf voltage is applied to the electrodes, and adjacent electrodes have voltages of opposite phase. As the rf amplitude increases, ions of progressively higher mass-to-charge ratios pass through to the exit lens and move toward the MP00 rf lens. During the tune procedure, the instrument determines the mass-dependent rf amplitudes for optimum transmission of ions through the lens.

**Figure 14.** Velos Pro MS exit lens and S-lens (back view)



## Ion Optics

The following ion optics focus the ions produced in the API source and transmit them to the mass analyzer:

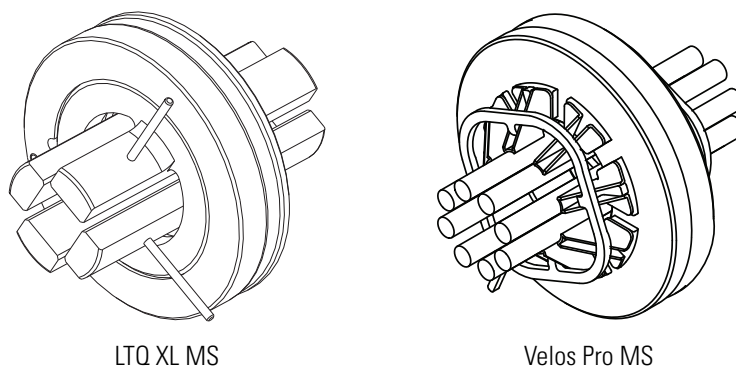
- [MP00 Ion Optics](#)
- [MP0 Ion Optics](#)
- [MP1 Ion Optics](#)

### MP00 Ion Optics

The MP00 ion optics are the optics located closest to the API source. The MP00 ion optics include the MP00 rf lens and the lens L0.

For the LTQ Velos, LTQ XL, and LXQ MSs, the square-metal elements of the MP00 rf lens act as an ion-focusing device (first image in [Figure 15](#)). For the Velos Pro MS, the MP00 rf lens is an array of eight cylindrical metal elements (second image in [Figure 15](#)). An rf voltage applied to the elements creates an electric field that guides the ions along the axis of the lens. A dc voltage offset from ground applied to multipole MP00 (called the multipole 00 offset voltage) increases the translational kinetic energy of the ions that emerge from the skimmer or exit lens. During ion focusing, the offset voltage is negative for positive ions and positive for negative ions.

**Figure 15.** MP00 rf lens (LTQ XL MS on the left and Velos Pro MS on the right)



The lens L0 is a metal plate with a small hole in one end through which the ion beam passes. A potential is applied to lens L0 to aid in ion transmission. Lens L0 also acts as a vacuum baffle between the multipole MP00 and MP0 ion optics chambers.

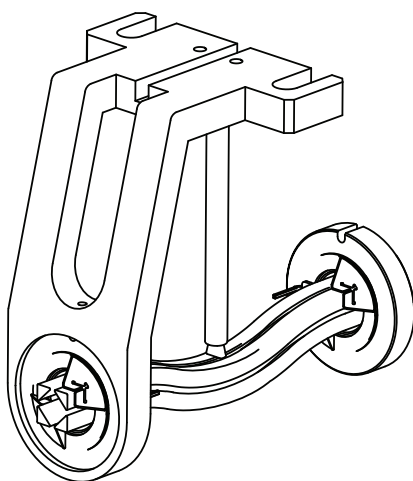
## MP0 Ion Optics

The MP0 ion optics transmit ions from the MP00 ion optics to the mass analyzer. The MP0 ion optics include MP0 and lens L1.

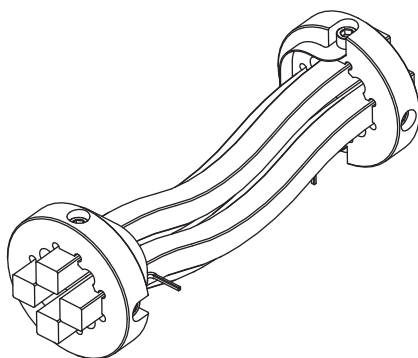
The square-profile rods of the multipole MP0 act as an ion transmission device (Figure 17 and Figure 18). An rf voltage applied to the rods creates an electric field that guides the ions along the axis of the multipole. The MP0 offset voltage increases the translational kinetic energy of ions that emerge from MP00.

Multipole MP0 for the Velos Pro MS is curved along the central axis (Figure 16). This feature helps prevent the neutral molecules from entering the mass analyzer chamber.

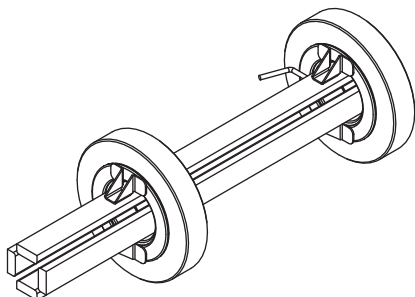
**Figure 16.** MP0 with a beam stop post for the Velos Pro MS



**Figure 17.** MP0 for the LTQ Velos MS



**Figure 18.** MP0 for the LTQ XL and LXQ MSs



The lens L1 is a metal plate with a circular hole in the center through which the ion beam passes. An electrical potential applied to the lens accelerates (or decelerates) ions as they approach the lens. This electrical potential focuses the ion beam as it passes through the lens. Lens L1 also acts as a vacuum baffle between the MP0 ion optics chamber and the mass analyzer chamber.

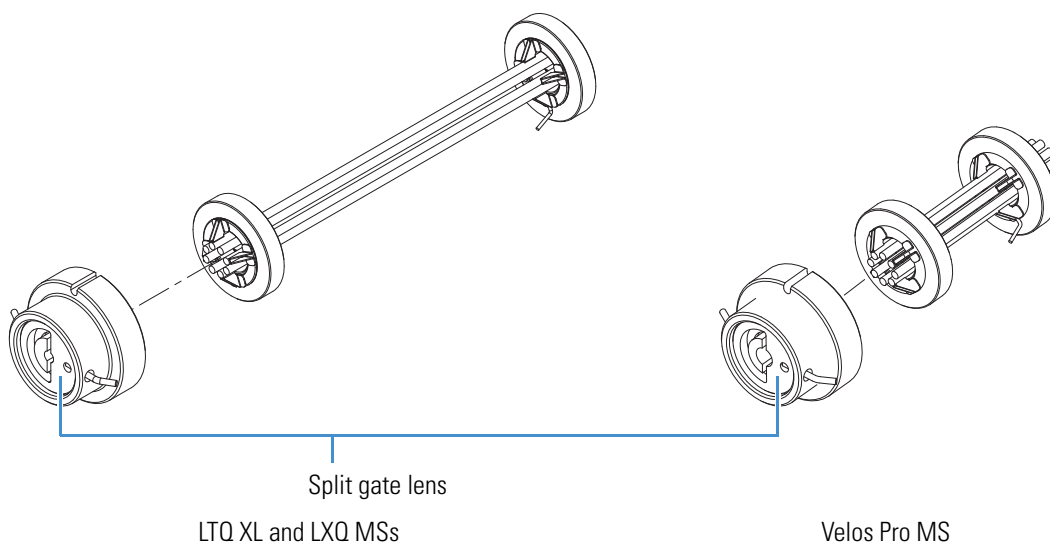
## MP1 Ion Optics

The MP1 ion optics transmit ions from the MP0 ion guide to the mass analyzer. The MP1 ion optics include MP1 and the split gate lens (Figure 19).

Multipole MP1 is an array of circular rods that act as an ion transmission device similar to multipole MP0. An rf voltage applied to the rods creates an electric field that guides the ions along the axis of the multipole. The MP1 offset voltage increases the translational kinetic energy of ions that emerge from MP0.

A split gate lens starts and stops the injection of ions into the mass analyzer by deflecting the beam at high speeds at the appropriate times. For positive beams, the split gate lens opens at  $-90$  V and closes at  $50$  V.

**Figure 19.** MP1 ion optics





## Mass Analyzer

The mass analyzer is the site where ion manipulation and mass analysis occur, which includes ion storage, [ion isolation](#), CID, and ion ejection. This section describes the components of the mass analyzer, voltages applied to the mass analyzer electrodes, presence of helium damping gas in the mass analyzer cavity, and mass analyzer operation during mass analysis.

### Components

The Velos Pro MS contains a dual-cell two-dimensional linear ion trap. The LTQ XL and LXQ MSs contain a single two-dimensional linear ion trap.

The linear ion traps are square arrays of precision-machined and precision-aligned hyperbolic rods. In the Velos Pro MS, all rods have a slot. In the LTQ XL and LXQ MSs, the two rods in the x-dimension have slots. Ions are ejected only through the x-rods during scan out. In each trap, rods opposite each other in the array are connected electrically. You can consider the four rods of each section to be two pairs of two rods each.

### Velos Pro MS

The mass analyzer in the Velos Pro MS consists of a front lens, a high pressure linear ion trap cell, a center lens, a second low pressure linear ion trap cell, and a back lens. The front, center, and back lenses are metal plates with a circular hole in the center through which the ion beam passes. The front, center, and back lenses provide conductance limits.

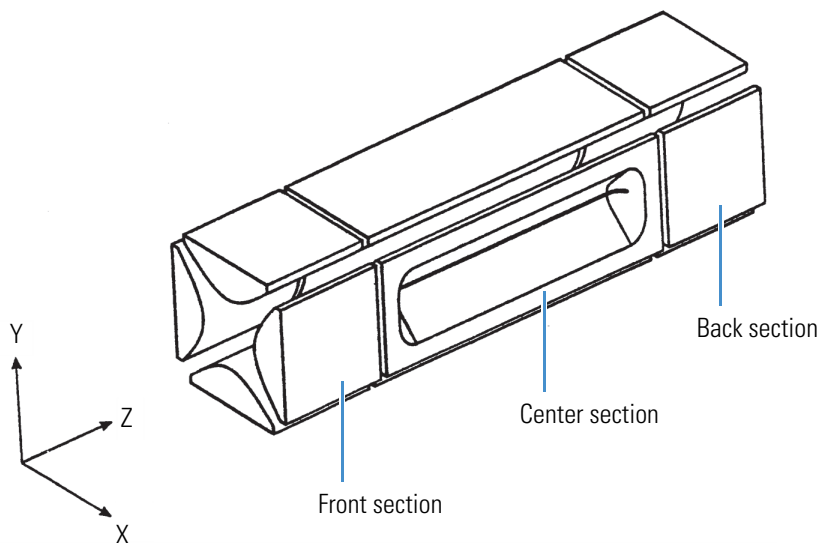
The Velos Pro MS rods have three sections.

### LTQ XL and LXQ MSs

The mass analyzer in the LTQ XL and LXQ MSs consists of a front lens, linear ion trap, and back lens. The front and back lenses are metal plates with a circular hole in the center through which the ion beam passes. The front and back lenses provide conductance limits.

The LTQ XL MS rods have three sections and the LXQ MS rods have one section. [Figure 20](#) shows the basic design of the linear ion trap.

**Figure 20.** LTQ XL MS linear ion trap rod assembly



## Axial Trapping Voltages

The Velos Pro MS uses six dc axial trapping voltages, one for each rod section on both linear ion traps. These voltages establish axial trapping by creating potential wells. These dc axial trapping voltages allow the mass analyzer to perform its storage and scan out functions.

The LTQ XL MS uses three dc axial trapping voltages, one for each rod section.

The LXQ MS also uses three dc axial trapping voltages, one for each lens and one for the trap.

## AC Voltages Applied to the Exit Rods

The [ion isolation waveform voltage](#), resonance excitation ac voltage, and resonance ejection ac voltage are applied to the exit rods to stimulate motion of the ions in the direction of the ion detection system. When the ac frequency applied to the rods equals the frequency of the motion of the trapped ion (which depends on its mass), the ion gains kinetic energy. If the magnitude of the applied voltage is large enough or the ion is given sufficient time, the ion is ejected from the mass analyzer in the direction of the ion detection system (X direction).

The ion isolation waveform voltage is a multifrequency resonance ejection waveform that acts during the ion isolation step of SIM, SRM, CRM, or  $MS^n$  ( $n > 1$ ) full-scan applications. The ion isolation waveform voltage, combined with the main rf voltage, ejects all ions except those of a selected mass-to-charge ratio or narrow ranges of mass-to-charge ratios.

During the CID step of SRM, CRM, or  $MS^n$  ( $n > 1$ ) full-scan applications, a resonance excitation ac voltage is applied to the exit rods to fragment [precursor ions](#) into [product ions](#). Ion motion is enhanced and the ion gains kinetic energy. After many energetic collisions with the helium damping gas, which is present in the mass analyzer, the ion gains enough internal energy to cause it to dissociate into product ions. The product ions are then mass analyzed.

During ion scan out, the resonance ejection ac voltage facilitates the ejection of ions from the mass analyzer, which improves mass resolution and sensitivity. The resonance ejection ac voltage is applied during the ramp of the main rf voltage. Ions consecutively move into resonance with the resonance ejection ac voltage. When an ion approaches resonance, it moves farther away from the center of the mass analyzer and is subsequently ejected.

## Helium Damping Gas

The mass analyzer cavity contains helium that is used as a damping gas and a collision activation partner. The collisions of the ions entering the mass analyzer with the helium slow the ions so that the rf field in the mass analyzer can more efficiently trap them.

The presence of helium in the mass analyzer cavity significantly enhances sensitivity and mass spectral resolution. Before their ejection from the mass analyzer cavity, sample ions collide with helium atoms. These collisions reduce the kinetic energy of the ions, which results in damping the amplitude of their oscillations. The ions are then focused to the axis of the cavity rather than allowed to spread throughout the cavity, which would spread their ejection times and degrade the mass spectral resolution.

Helium in the mass analyzer cavity also serves as a collision activation partner. During the CID step of an SRM, CRM, or MS<sup>n</sup> ( $n > 1$ ) full-scan analysis, the resonance excitation ac voltage applied to the exit rods drives precursor ions energetically into the helium atoms. After gaining sufficient internal energy from the resulting collisions, the precursor ion dissociates into one or more product ions.

## Summary of Mass Analyzer Operation

The processes that occur in the mass analyzer can be broken down into four steps:

1. Ion storage
2. Ion isolation (SIM, SRM, CRM, or MS<sup>n</sup> [ $n > 1$ ] full scan only)
3. CID (SRM, CRM, or MS<sup>n</sup> [ $n > 1$ ] full scan only)
4. Ion scan out (the ion detection step)

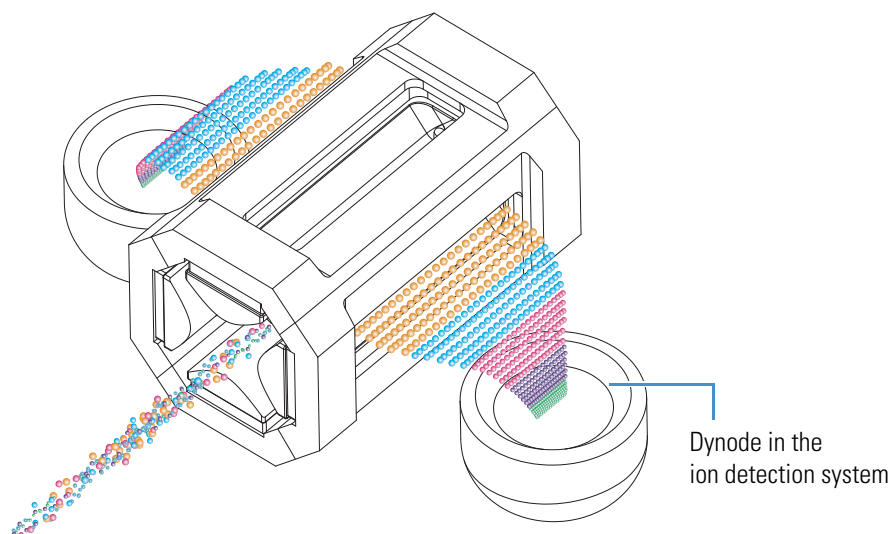
For SRM and MS/MS full-scan applications, the mass analyzer performs the ion isolation and CID steps one time. For CRM and MS<sup>n</sup> ( $n > 1$ ) full-scan applications, the ion isolation and CID steps are performed  $n - 1$  times.

For SIM, SRM, CRM, or MS<sup>n</sup> ( $n > 1$ ) full scan, the ion isolation waveform voltage is applied to the exit rods, in combination with a ramp of the main rf voltage to a new storage voltage, to eject all ions except those of the selected mass-to-charge ratio.

For SRM, CRM, or MS<sup>n</sup> ( $n > 1$ ) full-scan analyses, the resonance excitation ac voltage is applied to the exit rods to cause CID. Product ions with a mass-to-charge ratio of less than the minimum storage mass-to-charge ratio are not stored.

Finally, the sample ions or product ions are scanned out. The main rf voltage ramps up from low voltage to high voltage, and simultaneously the resonance ejection ac voltage is applied to the exit rods to facilitate ejection. As the main rf voltage increases, ions of greater and greater mass-to-charge ratios become unstable and eject through the slots in the exit rods. Most of these ions are focused toward the ion detection system where they are detected. [Figure 21](#) illustrates this process.

**Figure 21.** Visual representation of mass analyzer operation



The Velos Pro MS operates in a slightly different manner. The LTQ XL and LXQ MSs perform all four steps in one trap, but the Velos Pro MS does not. In the Velos Pro MS, the scan-out step can only occur in the trap with the electron multipliers, which is the low pressure trap, while initial trapping, isolation, and dissociation of the ions occur in the high pressure trap.

## Ion Detection Systems

The LTQ Series MS has a high-sensitivity, off-axis ion detection system. The Velos Pro and LTQ XL MSs have two [electron multipliers](#), and the LXQ MS has one detector. The ion detection system produces a high [signal-to-noise ratio \(S/N\)](#) and enables voltage polarity switching between positive ion and negative ion modes of operation. The electron multipliers are located on opposite sides of the mass analyzer. Each electron multiplier has a corresponding [conversion dynode](#).

A conversion dynode is a concave metal surface located at a right angle to the ion beam ([Figure 21](#)). A high positive potential (15 kV) for negative-ion detection or a high negative potential (–15 kV) for positive-ion detection is applied to the conversion dynode. For the Velos Pro and LTQ XL MSs, both conversion dynodes are physically connected and operate at the same voltage. An ion striking the surface of the conversion dynode produces one or more

secondary particles. The curved surface of the conversion dynode focuses these secondary particles and the voltage gradient accelerates them into the electron multiplier. The conversion dynode shields shield the vacuum manifold from the electric field that the conversion dynode produces.

The LTQ XL and LTQ Velos MSs use two continuous dynode electron multipliers and the LXQ MS uses one. The Velos Pro MS uses two discrete dynode electron multipliers that provide a higher linear dynamic range. The one or two electron multipliers mount on the top cover plate of the vacuum manifold next to the mass analyzer. The electron multiplier amplifies the signal and includes a single or common anode that collects the electrons produced by the cathode. The data system records the combined current that leaves the one or two electron multipliers, as applicable, through a common anode.

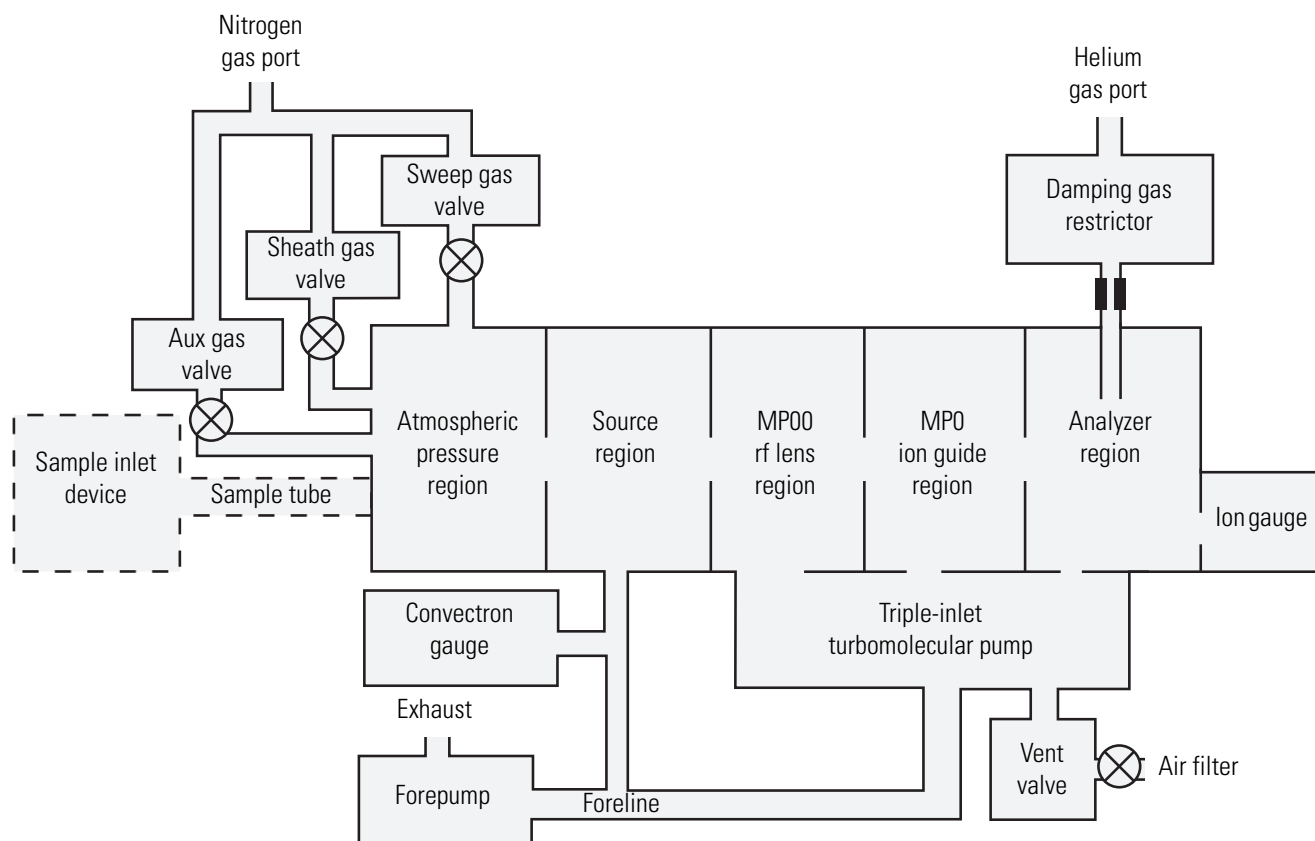
Because of the off-axis orientation of the ion detection system relative to the mass analyzer, neutral molecules from the mass analyzer tend not to strike the conversion dynode or electron multiplier. As a result, the noise from neutral molecules is reduced.

## Vacuum System

The vacuum system evacuates the region around the [API stack](#), ion optics, mass analyzer, and ion detection system. The vacuum system includes the following components ([Figure 22](#)):

- [Vacuum Manifold](#)
- [Turbomolecular Pump](#)
- [Forepumps](#)
- [Convectron Gauge](#)
- [Ion Gauge](#)

**Figure 22.** Functional block diagram of the vacuum system

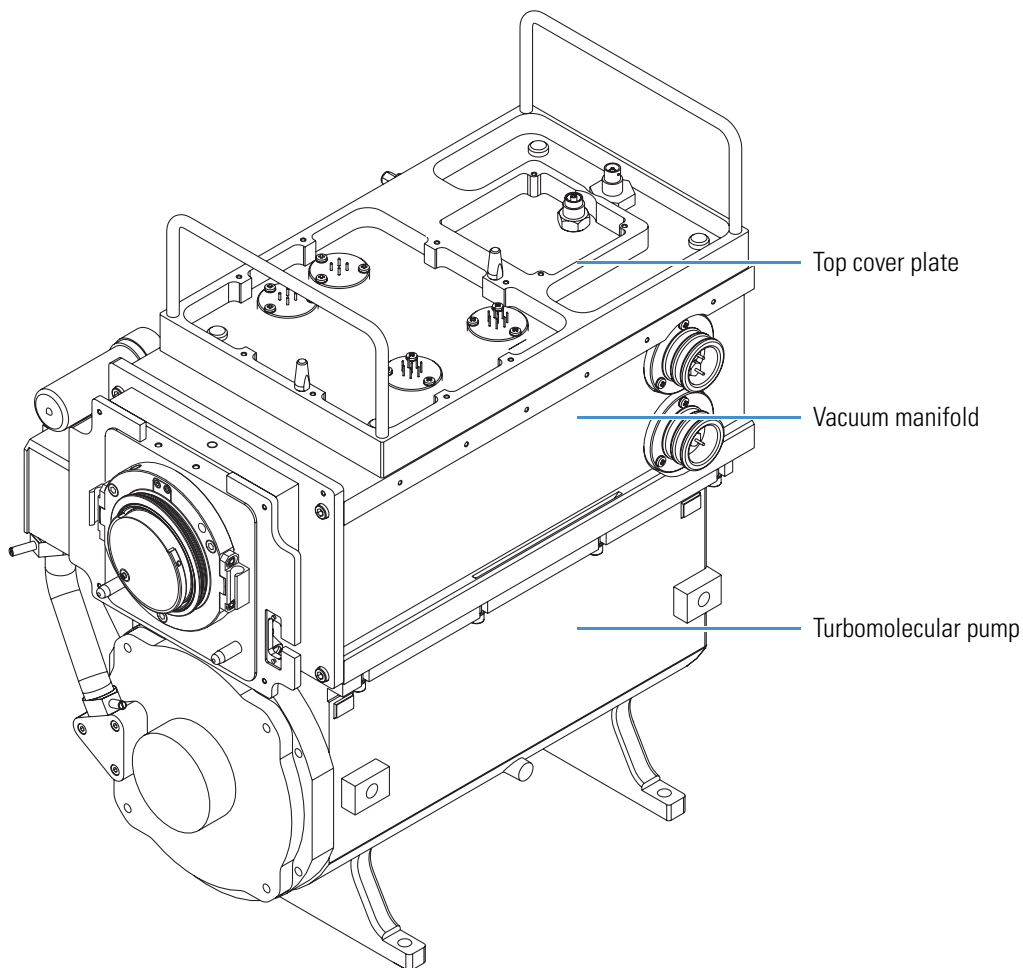


## Vacuum Manifold

The vacuum manifold (Figure 23) encloses the API source interface, ion optics, mass analyzer, and ion detection system assemblies. The vacuum manifold is a thick-walled, aluminum chamber with a removable top cover plate, machined flanges on the front, sides, and bottom, and various electrical feedthroughs and gas inlets.

The vacuum manifold is divided into four chambers by three baffles.

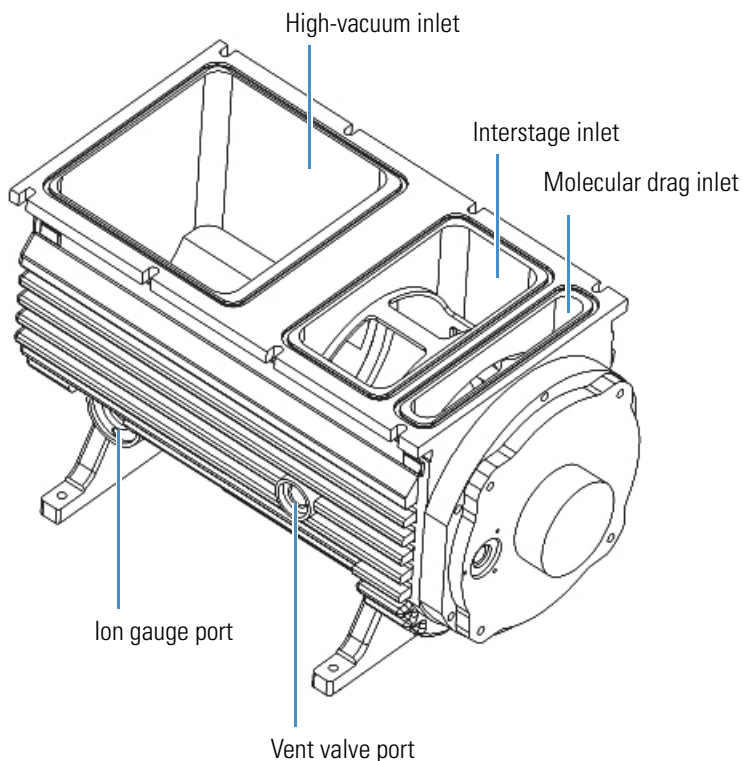
**Figure 23.** LXQ MS vacuum manifold with top cover plate and turbomolecular pump



## Turbomolecular Pump

A triple-inlet turbomolecular pump (Figure 24) provides the vacuum for the MP00 rf lens, MP0 ion guide, and analyzer regions of the vacuum manifold. The turbomolecular pump mounts under the vacuum manifold.

**Figure 24.** Turbomolecular pump



The Main Power switch turns off the turbomolecular pump. The electronics service switch has no effect on this pump. Power to the turbomolecular pump automatically shuts off if the turbomolecular pump's temperature becomes too high.

The turbomolecular pump sends status information, such as its temperature or rotational speed, to the data system computer.



## Forepumps

The Velos Pro and LTQ XL MSs have two forepumps and the LXQ MS has one forepump. Forepumps create the vacuum necessary for the proper operation of the turbomolecular pump. The forepumps also evacuate the ion transfer tube region of the vacuum manifold.

The nondetachable power cords of the forepumps plug into the auxiliary power outlets labeled *Forepumps* (or *Forepump* for the LXQ MS) on the power panel (Figure 9 and Figure 8 on page 14). The Main Power switch controls this outlet, not the electronics service switch.



**CAUTION** Always plug the forepump power cords into the power outlets labeled *Forepumps* or *Forepump* on the right side of the instrument. Never plug them into a wall outlet.

## Convectron Gauge

The LTQ XL and LXQ MSs contain a Convectron™ gauge that measures the pressure in the ion transfer tube in the vacuum manifold and the foreline, which connects the turbomolecular pump and the forepump. The source printed circuit board (PCB) monitors the pressure measured by the vacuum gauge.

## Ion Gauge

An ion gauge measures the pressure in the analyzer region of the vacuum manifold and is also used for vacuum protection. Figure 24 on page 30 shows the ion gauge port.

## Inlet Gases Hardware

The inlet gas hardware controls the flow of damping gas, sheath gas, auxiliary gas, sweep gas, and air (during venting) into the instrument.

## Vent Valve

The vent valve (Figure 24 on page 30) allows the vacuum manifold to be vented to air that has been filtered through a sintered nylon filter. The vent valve, a solenoid-operated valve, is closed when the solenoid is energized.

The vacuum manifold vents when the instrument no longer receives external power, as with a power failure or by turning off the Main Power switch. Power is briefly provided to the vent valve after losing external power to protect against the accidental loss of power. When power to the vent valve solenoid shuts off for more than a very brief period of time, the vent valve opens and the manifold vents to filtered air.

### Damping Gas Inlet Assembly

The damping gas inlet assembly controls the flow of helium into the mass analyzer cavity. Helium ( $275 \pm 70$  kPa [ $40 \pm 10$  psi], 99.999% ultra high purity) enters the instrument through a 1/8 in. port on the back of the instrument. The instrument regulates the flow of helium and delivers it to the mass analyzer.

Helium in the mass analyzer cavity dampens ionic motion and improves the performance of the instrument. See “[Helium Damping Gas](#)” on [page 25](#).

### Sheath Gas, Auxiliary Gas, and Sweep Gas Valves

The sheath gas, auxiliary gas, and sweep gas valves control the flow of nitrogen into the API source ([Figure 22](#) on [page 28](#)). Sheath gas is the inner coaxial nitrogen gas of the API probe that sprays (nebulizes) the sample solution into a fine mist as it exits the sample tube. Auxiliary gas is the outer coaxial nitrogen gas that assists the sheath gas in the nebulizing and evaporating sample solutions. Sweep gas flows out from behind the sweep cone in the API source interface. Sweep gas aids in solvent declustering and adduct reduction.

Dry nitrogen ( $690 \pm 140$  kPa [ $100 \pm 20$  psi], 99% high purity) enters the instrument through a 1/4 in. port on the back of the instrument. The data system controls the valves that regulate the nitrogen pressure. You can set the flow rates from the Tune Plus window.

### Cooling Fans

Five fans provide cooling for the instrument. One 2.8 CMM (100 CFM) fan cools the rf voltage coil. One 0.59 CMM (21 CFM) fan cools the turbomolecular pump. Three 2.8 CMM (100 CFM) fans cool the electronics in the tower. The back of the instrument draws air in. The exhaust air exits from the vent slots on the sides of the instrument.



**CAUTION** To ensure safety and proper cooling, always operate the instrument with its covers in place. This is also necessary to comply with product safety and electromagnetic interference regulations.

## System Shutdown, Startup, and Reset

Many maintenance procedures for the LTQ Series system require that the mass spectrometer be shut down completely. When you are not using the system, place the mass spectrometer in standby mode. If the system is not used for two or more months, you can shut down the mass spectrometer completely.

### Contents

- Shutting Down the System in an Emergency
- Opening the Tune Plus Window
- Placing the Mass Spectrometer in Standby Mode
- Turning On the Mass Spectrometer
- Shutting Down the Mass Spectrometer Completely
- Starting the System after a Complete Shutdown
- Resetting the Mass Spectrometer
- Resetting Tune and Calibration Parameters
- Restarting the Data System
- Turning Off Selected Mass Spectrometer Components

### Shutting Down the System in an Emergency



**CAUTION** If you must turn off the mass spectrometer in an emergency, **turn off the main power switch** located on the right-side power panel (Figure 9 and Figure 8 on page 14). This switch turns off all power to the mass spectrometer, including the forepump or forepumps, without harming components within the instrument. However, do not use this method as part of the standard shutdown procedure. Instead, see “Shutting Down the Mass Spectrometer Completely” on page 36.

To turn off the LC, autosampler, and data system computer in an emergency, use their respective on/off switch or button.

## Opening the Tune Plus Window

There are several ways to open the Tune Plus window (Figure 25).

#### ❖ To open the Tune Plus window

Do one of the following:

- On the Windows taskbar, choose **Start > All Programs > Thermo Instruments > LTQ > *model* Tune**, where *model* is your specific LTQ Series model.

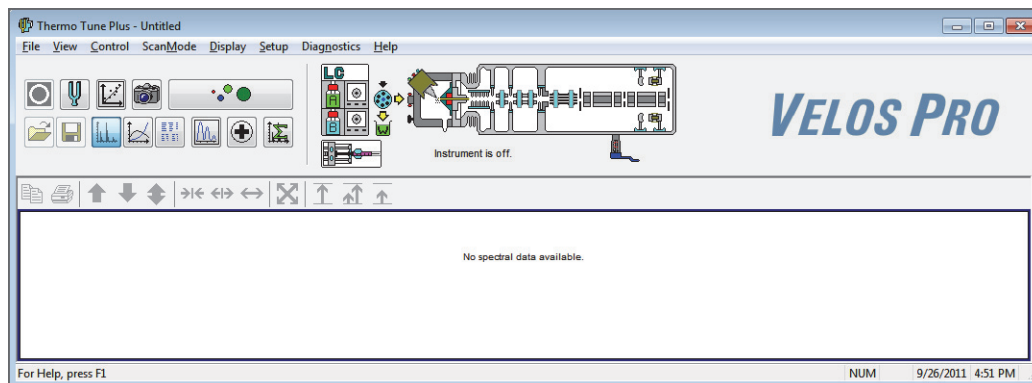
**Note** For LTQ Series version 2.5.0 or earlier, choose **Start > All Programs > Xcalibur > *model* Tune**.

- In the Xcalibur application, click the **Roadmap View** icon (under the menu bar), the **Instrument Setup** icon, the *model* MS icon, and then **Tune Plus**.

—or—

- In the Xcalibur application, click the **Roadmap View** icon (under the menu bar), the **Instrument Setup** icon, and the *model* MS icon. Then, from the main toolbar choose *model* > **Start Tune Plus**.

**Figure 25.** Tune Plus window for Velos Pro MS



## Placing the Mass Spectrometer in Standby Mode

If you are temporarily not using the LTQ Series MS, you do not need to shut it down completely. Instead, place the mass spectrometer in standby mode.

### ❖ To place the mass spectrometer in Standby mode

1. Complete all data acquisition, if any.
2. Open the Tune Plus window (see [page 34](#)).
3. If your system includes an LC pump, turn off the solvent flow to the API source.

When controlling the LC pump through the Xcalibur data system, you can turn off the solvent flow from the Inlet Direct Control dialog box. For example, to turn off the solvent flow from an Accela™ pump, do the following:

- a. In the Xcalibur Instrument Setup window, click the icon for the LC pump.
  - b. In the menu bar, choose **Setup > Inlet Direct Control**, and then
  - c. Click the tab for the LC pump, and then select the **Take Pump Under Control** check box.
  - d. Click the **Stop** button.
4. In the Tune Plus window, do one of the following:
    - If the instrument is off, choose **Control > Standby**.

–or–

- If the instrument is on, click the **On/Standby** button to select the **Standby** mode.



When clicked, this button cycles through the power modes shown in the left margin.

The LC/MS system is now in standby mode. Once the API source probe and housing have cooled to room temperature, you can safely remove these components. For instructions, refer to Chapter 2, “Setting Up the API Source,” in the *LTQ Series Getting Started Guide*.



**CAUTION** If you are using APPI, do not leave the LC or other liquid delivery device on while the instrument is in standby mode. The absence of sheath and auxiliary gas can cause the hot VUV vacuum lamp to break upon contact with liquids.

The instrument turns off the electron multipliers, conversion dynodes, 8 kV power to the API source, main rf voltage, and ion optic rf voltages. The instrument also turns off the sheath, auxiliary, and sweep gas flows.

**Note** For LTQ version 2.7 SP1 or later, when you place the instrument in standby mode, the sweep gas flow remains on to help clean out the API source.

### 3 System Shutdown, Startup, and Reset

#### Turning On the Mass Spectrometer

See [Table 5](#) on [page 42](#) for the on/off status of the instrument components when the instrument is in standby mode. The System LED on the front panel ([Figure 7](#) on [page 13](#)) turns yellow when the system is in standby mode.

## Turning On the Mass Spectrometer

### ❖ To turn on the mass spectrometer

1. Open the Tune Plus window (see [page 34](#)).
2. Click the **On/Standby** button to select the **On** mode.



The System LED on the front panel turns green. The high voltage to the electron multipliers turns on.

## Shutting Down the Mass Spectrometer Completely

Shut down the LTQ Series MS completely only when you are not using it for an extended period of time or when you must shut it down for maintenance or service. You do not need to shut down the system completely if your work stoppage is temporary, such as overnight or through the weekend. Instead, place the system in standby mode as described in [“Placing the Mass Spectrometer in Standby Mode”](#) on [page 35](#).



**CAUTION Hot surface.** Allow heated components to cool to room temperature (approximately 20 minutes) before servicing them.

### ❖ To shut down the instrument completely

1. Turn off the flow of sample solution from the LC (or other sample introduction device).

**Note** For instructions about operating the LC from the front panel, refer to the LC manual.

2. Follow the procedure, [“Placing the Mass Spectrometer in Standby Mode”](#) on [page 35](#).
3. Place the electronics service switch in the Service Mode (down) position.

This turns off the power to the nonvacuum system electronics.

4. Turn off the Main Power switch.

The following occurs:

- All power to the mass spectrometer, including the turbomolecular pump and forepump or pumps, turns off. All LEDs on the front panel are off.

- After approximately 5 seconds, power to the vent valve solenoid shuts off, the vent valve opens, and the vacuum manifold vents to filtered air. You can hear a hissing sound.
  - After about 2 minutes, the vacuum manifold is at atmospheric pressure.
5. Unplug the instrument's power supply cord from the electrical outlet.



**CAUTION** Do not disconnect the power supply cord at the instrument while the other end is still plugged into the electrical outlet.

6. (Optional) Follow the next procedure, “[To turn off the LC, gases, data system, and autosampler.](#)”

**Tip** If you only plan to perform routine or preventive system maintenance on the mass spectrometer, you do not need to turn off the LC, gases, data system, and autosampler. In this case, the shutdown procedure is complete. However, if you plan to have the system off for an extended period of time, Thermo Fisher Scientific recommends that you also turn off these other parts of the LC/MS system.

❖ **To turn off the LC, gases, data system, and autosampler**

1. If included, turn off the LC system as described in the LC manual.
2. Turn off the helium and nitrogen gas supplies at their tanks.
3. Shut down the data system computer, and turn off the monitor and printer, if provided.
4. If included, turn off the autosampler by using its on/off switch.

## Starting the System after a Complete Shutdown

To start the LTQ Series system after it has been shut down completely, follow these procedures:

- [Starting the LC System](#)
- [Starting the Data System](#)
- [Starting the Mass Spectrometer](#)
- [Starting the Autosampler](#) (if this is a part of the system)

## Starting the LC System

To start the LC system, follow the startup procedure described in the manufacturer's manual. If necessary, configure the LC as described in the *LTQ Series Getting Connected Guide*.

**Note** Do not turn on the liquid flow to the mass spectrometer at this point in the procedure.

## Starting the Data System

❖ **To start the data system**

Turn on the computer, monitor, and printer, if provided.

## Starting the Mass Spectrometer

Make sure that the data system is running before you start the mass spectrometer. The mass spectrometer does not operate until it receives instructions from the data system.

❖ **To start the mass spectrometer**

1. Turn on the flows for the helium and nitrogen gases at their tanks, if they are off.
2. Turn off the Main Power switch and place the electronics service switch in the Service Mode (down) position.
3. Plug in the power supply cord for the instrument.
4. Turn on the Main Power switch.

This turns on the one or two forepumps, respectively, and the turbomolecular pump. All LEDs on the front panel are off.

5. Wait at least 1 hour to allow the instrument to pump down.
6. Place the electronics service switch in the Electronics Normal (up) position.

The following occurs:

- The Power LED on the front panel turns green to indicate that the electronics have power. However, the electron multipliers, conversion dynodes, 8 kV power to the API source, main rf voltage, and ion optic rf voltage remain off.
- The embedded computer starts. After several seconds the Communication LED turns yellow to indicate that the data system and the instrument have started to establish a communication link.



- After several more seconds, the Communication LED turns green to indicate that the mass spectrometer and the data system are communicating. Make sure that the instrument console window is active. The data system transfers operational software to the mass spectrometer.
- After three minutes, the System LED turns yellow to indicate the software transfer from the data system to the mass spectrometer is complete and that the mass spectrometer is in standby mode. When you change the mode from standby to on, the System LED turns green to indicate that the mass spectrometer is functional and the high voltages are on.

**IMPORTANT** On the front panel, the Vacuum LED illuminates green only when the pressure in the vacuum manifold is below the maximum allowable pressure ( $5 \times 10^{-4}$  Torr in the analyzer region, and 2 Torr in the ion transfer tube–skimmer region).

Although you can calibrate the mass spectrometer after the Vacuum LED turns green, you must allow the mass spectrometer's vacuum system to stabilize completely, which takes approximately 15–24 hours of continuous pumping, to ensure that the calibrations are correct.

## Starting the Autosampler

Turn on the autosampler by using its on/off power switch. If necessary, configure the autosampler. For procedures for placing sample vials, preparing solvent and waste containers, installing syringes, and so on, refer to the autosampler manual. The *LTQ Series Getting Connected Guide* provides procedures for connecting the mass spectrometer to the autosampler by using a contact closure cable.

## Resetting the Mass Spectrometer

In the unlikely event that communication is lost between the mass spectrometer and data system computer, you might need to reset the instrument by using the reset button on the right-side power panel, shown in [Figure 9](#) and [Figure 8](#) on [page 14](#).

The following procedure assumes that power to the mass spectrometer and data system computer are on and that both are operational. If the mass spectrometer, data system computer, or both are off, see [“Starting the System after a Complete Shutdown”](#) on [page 37](#).

#### ❖ To reset the mass spectrometer

Hold down the reset button for 3 seconds.

The following occurs:

- The embedded computer restarts. All LEDs on the front panel turn off except the Power LED.
- After several seconds, the Communication LED turns yellow to indicate that the data system and the instrument are starting to establish a communication link.
- After several more seconds, the Communication LED turns green to indicate that the data system and the mass spectrometer are communicating. The data system transfers operational software to the instrument.
- After three minutes, the System LED turns yellow to indicate that the software transfer from the data system to the mass spectrometer is complete and that the mass spectrometer is in standby mode. Or, the System LED turns green to indicate that the mass spectrometer is functional and the high voltages are on.

## Resetting Tune and Calibration Parameters

If you must reset the tune and calibration parameters to their factory default values, contact your local Thermo Fisher Scientific field service engineer for assistance.

### IMPORTANT

- Before resetting the instrument parameters to their default values, make sure that the system problems you are experiencing are not due to improper API source settings (such as spray voltage, sheath and auxiliary gas flow, or ion transfer tube temperature).
- If you reset the instrument to the factory calibration settings, always repeat the calibration of the internal electronic devices as specified in the *LTQ Series Getting Started Guide*. Otherwise, all instrument calibrations might produce incorrect results.

## Restarting the Data System

If possible, use the Windows restart procedure to shut down and restart the data system so that Windows can properly close applications and save changes to any open Thermo applications.

**Note** After you reset the data system, the communications link between the data system and the mass spectrometer is automatically reestablished. When this occurs, the Communication LED turns yellow and then green. If the system is unable to reestablish the communications link, hold down the reset button for three seconds.

❖ **To restart the data system by using Windows**

1. On the Windows taskbar, choose **Start**, and then click the arrow next to Shut Down.
2. Choose **Restart**, and then click **OK**.

❖ **To restart the data system by using the power button**

1. Press the power button on the data system computer.
2. Wait at least 20 seconds after the computer shuts down.
3. Press the power button again.

## Turning Off Selected Mass Spectrometer Components

There are five ways that you can turn off some or all of the instrument components:



- Turn off individual mass spectrometer components by using the Tune Plus window. Turning off individual components might be necessary when troubleshooting a problem or running certain diagnostic procedures.
- Place the mass spectrometer in standby mode, which is the normal state to leave the instrument in when it is not in use.
- Place the mass spectrometer in off mode, which is similar to standby, except that all high-voltage components of the instrument are off.
- Place the electronics service switch in the Service Mode (down) position so that you can perform maintenance procedures involving nonvacuum system components of the instrument.
- Turn off the Main Power switch, which removes all power to the instrument, including the vacuum system.

[Table 5](#) summarizes the on/off status of mass spectrometer components, voltages, and gas flows.



### 3 System Shutdown, Startup, and Reset

Turning Off Selected Mass Spectrometer Components

**Table 5.** On/off status of mass spectrometer components, voltages, and gas flows (Sheet 1 of 2)

Mass spectrometer component	Standby mode 	Off mode 	Electronics service switch, Service Mode position	Main Power switch, Off (O) position
Vent valve	Closed	Closed	Closed	Open (5 sec)
APCI corona discharge needle	Off	Off	Off	Off
APCI vaporizer				
Conversion dynode				
Electron multiplier				
ESI needle				
Gas, auxiliary				
Gas, sheath				
Gas, sweep (LTQ version 2.7 or earlier)				
Ion optics multipoles rf voltages				
Mass analyzer, rf/waveform voltages				
Power supply, 8 kV				
Power supply, electron multipliers/conversion dynodes				
API ion transfer tube dc offset				
API tube lens				
Ion optics lens				
Ion optics multipoles dc offset voltages				
Mass analyzer, dc offset voltage				
Power supply, 300 Vdc				
Gas, sweep (LTQ version 2.7 SP1 or later)				
API ion transfer tube heater				
Fan, rf coil				
Gauge, Convectron	On			
Gauge, ion				
Power supply, PS1				

**Table 5.** On/off status of mass spectrometer components, voltages, and gas flows (Sheet 2 of 2)

<b>Mass spectrometer component</b>	<b>Standby mode</b> 	<b>Off mode</b> 	<b>Electronics service switch, Service Mode position</b>	<b>Main Power switch, Off (O) position</b>
Fan, turbomolecular pump	On	On	On	Off
Fans, electronics tower				
Forepump				
Power supply, PS2				
Turbomolecular pump				
Turbomolecular pump controller				
Gas, helium				On

### **3 System Shutdown, Startup, and Reset**

Turning Off Selected Mass Spectrometer Components

## Daily Operation

To ensure the proper operation of the LTQ Series system, Thermo Fisher Scientific recommends that you perform daily preventive maintenance. This chapter specifies the items to check before operating the system and the cleaning procedures to perform after completing the analyses.

**Note** You do not need to tune (optimize the tune parameters for the ESI calibration solution) and calibrate the LTQ Series system as part of your daily routine.

Generally, calibration parameters are instrument parameters that affect the mass accuracy and resolution. Tune parameters are instrument parameters that affect the intensity of the ion signal. You calibrate the LTQ Series system by using the ESI calibration solution about once every month. Do some calibrations, such as for the electron multiplier gain, more often.

You should check the optimization of the tune parameters (create a new tune method) whenever you change the type of experiment, the specific compound, or the compound class.

Pump down times of less than 15 hours on new instruments or after venting the mass spectrometer might cause incorrect calibration and might increase the aging of the electron multipliers.

For information about tuning and calibration, refer to the *LTQ Series Getting Started Guide*.

### Contents

- [Before Operating the LTQ Series System](#)
- [After Operating the LTQ Series System](#)

## Before Operating the LTQ Series System

Follow these preventive maintenance procedures every day before beginning the first analysis:

- [Checking the System Mode](#)
- [Checking the Vacuum Pressure Levels](#)
- [Checking the Gas Supplies](#)
- [Checking the ESI Fused-Silica Sample Tube for Elongation](#)

### Checking the System Mode

Make sure that the system is turned on. See “[Turning On the Mass Spectrometer](#)” on page 36.

### Checking the Vacuum Pressure Levels

Before beginning your daily operation, check the vacuum pressure levels in the system and check for major air leaks in the system. If there is a major air leak, the system does not pump down to sufficient levels to turn on the system.

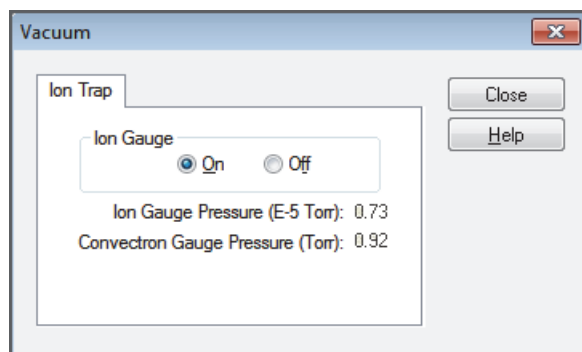


**CAUTION** For proper performance, operate the LTQ Series system at the proper vacuum levels. Operating the system with poor vacuum levels can cause reduced sensitivity, tuning problems, and reduced electron multiplier life.

#### ❖ To check the vacuum pressure

1. In the Tune Plus window, choose **Setup > Vacuum** to open the Vacuum dialog box (Figure 26).

**Figure 26.** Vacuum dialog box



2. Check the Ion Gauge Pressure readback.

This readback displays the current pressure in the analyzer region.



3. Check the Convectron Gauge Pressure readback.

This readback displays the current pressure in the ion transfer tube–skimmer and foreline region.

4. Compare the current values of the pressures in the vacuum manifold with the following values.

Condition	Ion gauge reading (analyzer region)	Convectron gauge reading (foreline, tube–skimmer region)
Open ion transfer tube orifice, ion transfer tube at 250 °C (482 °F)	0.75–1.5 × 10 <sup>-5</sup> Torr	1.0–1.5 Torr

#### **IMPORTANT**

- If the current values are higher than normal, there might be an air leak or the helium flow might be insufficient.
- If the pressure is above 5 × 10<sup>-5</sup> Torr in the analyzer region and the system restarted within the last 30 to 60 minutes, wait another 30 minutes and recheck the pressure. If the pressure decreases with time, check the pressure periodically until it is within the typical range for the instrument.
- If the pressure remains high, the system might have an air leak.

#### ❖ **To check the system for major air leaks**

Listen for a rush of air or a hissing sound coming from the instrument.

Possible causes of a major leak might be a loose or disconnected fitting, an improperly positioned O-ring, or an open valve.

#### ❖ **To fix an air leak**

1. Shut down the system (see [“Shutting Down the Mass Spectrometer Completely”](#) on [page 36](#)).
2. Visually inspect of the vacuum system and vacuum lines for leaks.
3. Check each fitting and flange on the system for tightness, and tighten the fittings or flanges that are loose.

Do not tighten fittings indiscriminately. Pay particular attention to fittings that have been changed recently or to fittings that have been subjected to heating and cooling.

4. Make sure that the cover plates of the vacuum manifold and O-rings are properly positioned.

### Checking the Gas Supplies

Check the helium gas tank's regulator. Make sure that there is sufficient gas for the analysis, which is a minimum of 3447 kPa (500 psi) on the high pressure gauge of the regulator. If necessary, replace the tank. Verify that the pressure of helium gas reaching the mass spectrometer is  $275 \pm 70$  kPa ( $40 \pm 10$  psi). If necessary, adjust the pressure with the tank pressure regulator.

Check the nitrogen gas supply on the regulator of the nitrogen gas tank or liquid nitrogen boil-off tank. Make sure that there is sufficient gas for the analysis. If necessary, replace the tank. Verify that the pressure of nitrogen gas reaching the mass spectrometer is  $690 \pm 140$  kPa ( $100 \pm 20$  psi). If necessary, adjust the pressure with the tank pressure regulator.

**Note** When operating 24 hours and 7 days a week, typical daily consumption of nitrogen gas is 5560–26700 L (196–943 ft<sup>3</sup>).

For more information about gas requirements, including those for a MALDI LTQ XL system and the ETD reagent carrier gas for the LTQ XL/ETD system, refer to the *LTQ Series Preinstallation Requirements Guide*.

### Checking the ESI Fused-Silica Sample Tube for Elongation

Using acetonitrile in the mobile phase can elongate the polyimide coating on the fused-silica sample tube, which can degrade both signal intensity and stability over time.

If you are using a fused-silica sample tube in the ESI mode, verify that the sample tube is not elongated past the tip of the ESI spray needle. If the tube is elongated, cut and reposition it. See [“Trimming the ESI Sample Tube”](#) on page 60.

### After Operating the LTQ Series System

Follow these preventive maintenance procedures every day after operating the system:

- [Flushing the Inlet Components](#) (as needed)
- [Cleaning the Ion Sweep Cone, Spray Cone, and Ion Transfer Tube](#)
- [Purging the Oil in the Forepump](#)
- [Emptying the Solvent Waste Container](#)
- [Placing the System in Standby Mode](#)

## Flushing the Inlet Components

This section describes how to flush the inlet components (sample transfer line, sample tube, and API probe) at the end of each work day (or more often if you suspect they are contaminated) with a 50:50 methanol/water solution from the LC system through the API source at a flow rate of 200–400  $\mu\text{L}/\text{min}$  for approximately 15 minutes to remove contamination.

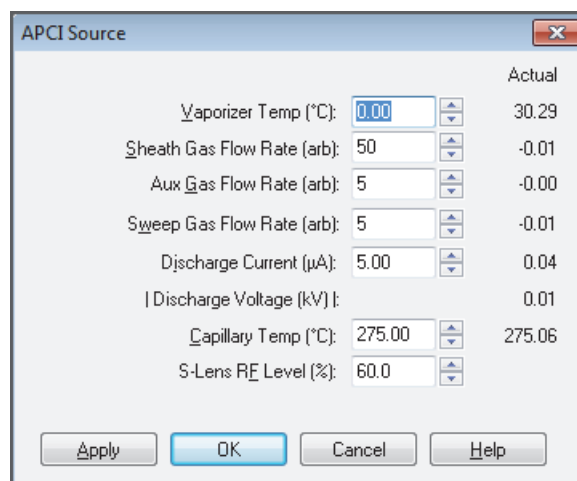
**Tip** You do not need to flush the inlet components daily. However, if a spectrum shows unwanted contamination peaks, follow this procedure to flush the inlet components.

### ❖ To flush the inlet components

1. Complete all data acquisition, if any.
2. Open the Tune Plus window (see page 34).
3. Make sure that the **On/Standby** button indicates the **On** mode, and then do one of the following:
  - If operating in APCI or APPI mode, go to step 4.
  - If operating in ESI mode, go to step 5.
4. To flush the APCI source:
  - a. Choose **Setup > APCI Source** to open the APCI Source dialog box (Figure 27).



**Figure 27.** APCI Source dialog box



- b. In the Vaporizer Temp (°C) box, enter 500.
- c. In the Sheath Gas Flow Rate (arb) box, enter 30.
- d. In the Aux Gas Flow Rate (arb) box, enter 5.
- e. In the Sweep Gas Flow Rate (arb) box, enter 0.
- f. In the Discharge Current ( $\mu\text{A}$ ) box, enter 0.





8. After 15 minutes, turn off the flow of liquid from the LC to the API source as follows:
  - a. Leave the API source (including the APCI vaporizer, sheath gas, and auxiliary gas) on for an additional 5 minutes.
  - b. Click the **Pump Off** or **Stop Pump** button.
9. After another 5 minutes, click the **On/Standby** button to select the **Standby** mode.

## Cleaning the Ion Sweep Cone, Spray Cone, and Ion Transfer Tube

Clean the ion sweep cone, spray cone, and the ion transfer tube on a regular basis to prevent corrosion and to maintain optimum performance of the API source. A good practice is to wash or flush the ion sweep cone and ion transfer tube at the end of each operating day after you pump a solution of 50:50 methanol/water from the LC system through the sample transfer line, sample tube, and API probe (see “[Flushing the Inlet Components](#)” on page 49.) If you use a mobile phase that contains a nonvolatile buffer or inject high concentrations of sample, you might need to clean these parts more often. It is not necessary to vent the system to flush the ion sweep cone and ion transfer tube.



**CAUTION** When the ion transfer tube is installed, do not flush it with cleaning solution, which flushes the residue into the mass spectrometer.

For detailed cleaning instructions, refer to Chapter 8 in the *LTQ Series Getting Started Guide*.

## Purging the Oil in the Forepump

Purge (decontaminate) the oil in the forepump daily to remove water and other dissolved chemicals, which can cause corrosion and decrease the lifetime of the forepump. The best time to purge the oil is at the end of the working day after you flush the API probe, ion sweep cone, and ion transfer tube. For instructions, refer to the forepump’s documentation.

**IMPORTANT** Remember to close the purge valve before continuing normal operation.

## Emptying the Solvent Waste Container

Check the solvent level in the solvent waste container daily. If necessary, empty the container and dispose of the solvent waste in accordance with local and national regulations.

## Placing the System in Standby Mode

After you complete the daily maintenance procedures, place the instrument in standby mode as described in “[Placing the Mass Spectrometer in Standby Mode](#)” on page 35.

## **4 Daily Operation**

After Operating the LTQ Series System

# Maintenance

This chapter provides routine maintenance procedures that you must perform to ensure optimum performance of the LTQ Series mass spectrometer. Optimum performance depends on the maintenance of all parts of the instrument. You are responsible for maintaining the system properly by performing the system maintenance procedures on a regular basis.

**Note** Unless otherwise noted:

- For the LTQ Velos MS, follow the Velos Pro MS information.
- For the LXQ MS, follow the LTQ XL MS information.

For a list of replaceable parts, see [Chapter 7, “Replaceable Parts.”](#)

## Contents

- [Maintenance Schedule](#)
- [Work Area Preparation](#)
- [Guidelines](#)
- [Tools and Supplies](#)
- [API Source Housing Maintenance](#)
- [API Source Probe Maintenance](#)
- [API Source Interface Maintenance](#)
- [MP00 RF Lens Maintenance](#)
- [MP0 and MP1 Ion Guides Maintenance](#)
- [Electron Multiplier Replacement](#)
- [Forepump Maintenance](#)
- [Fan Filter Maintenance](#)

## Maintenance Schedule

Table 6 lists the maintenance procedures and their recommended frequency.

**Table 6.** Mass spectrometer maintenance procedures and frequency

Component	Procedure	Frequency	Location
API source	Flush (clean) the sample transfer line, sample tube, and API probe.	Daily	page 49 page 59 page 71
	Clean the API source housing.	As needed	page 58
	Trim the sample tube.	If the polyimide coating on the end of the sample tube is elongated	page 60
	Replace the sample tube and safety sleeve.	If the sample tube is broken or obstructed	page 65
API source interface	Clean the ion sweep cone and spray cone.	Daily, or more often depending on analytical conditions	page 79
	Remove and clean the ion transfer tube.	Weekly, or if the ion transfer tube bore is contaminated or obstructed	
	Replace the ion transfer tube.	If the bore becomes corroded or blocked	
	Clean the skimmer and tube lens.	As needed, depending on analytical conditions	
	Clean the exit lens or S-lens.	As needed, depending on analytical conditions	
MP00 rf lens, and lens L0	Clean multipole MP00 and lens L0.	As needed, depending on analytical conditions	page 93
MP0 and MP1 ion guides, lens L1, and split gate lens	Clean multipole MP0 and MP1 ion guides, lens L1, and the split gate lens.	As needed, depending on analytical conditions	page 99
Forepump	Purge (decontaminate) the oil and check for leaks.	Daily	page 124
	Add oil.	As needed, based on oil level	See also the manufacturer's documentation.
	Change the oil.	Every 3 months, or if the oil is cloudy or discolored	
Cooling fans	Clean the air filter.	Every 4 months	page 124

For instructions about maintaining the LC modules, refer to that instrument's manual.



## Work Area Preparation

### ❖ To prepare the work area

Do the following:

- Cover the area with clean, lint-free paper or a large sheet of clean aluminum foil.
- Have nearby the necessary tools, supplies, and replacement parts (when applicable).

## Guidelines

For optimal results, follow these guidelines when performing the procedures in this chapter:

- Proceed methodically.
- Always wear a new pair of lint- and powder-free gloves when handling internal components. Never reuse gloves after you remove them because the surface contaminants on them recontaminate clean parts.
- Always place the components on a clean, lint-free work surface.
- Never overtighten a screw or use excessive force.

### Note

- Put on a new pair of lint- and powder-free gloves before starting each removal, cleaning, and reinstallation procedure.
- Make sure that you do not introduce any scratches or surface abrasions while handling the API source interface components. Even small scratches can affect performance if they are close to the ion transmission path. Avoid using tools, such as metal pliers, that might scratch these components.

## Tools and Supplies

The LTQ Series MS requires very few tools to perform routine maintenance procedures. You can remove and disassemble many of the components by hand. [Table 7](#) lists the necessary chemicals, tools, and equipment for maintaining the instrument. (Two of the tools are already in the kits.) In addition, you can use the contents of the Preventive Maintenance (PM) Cleaning Kit (P/N 97455-62051).



### CAUTION Avoid exposure to potentially harmful materials.

By law, producers and suppliers of chemical compounds are required to provide their customers with the most current health and safety information in the form of Material Safety Data Sheets (MSDSs) or Safety Data Sheets (SDSs). The MSDSs and SDSs must be freely available to lab personnel to examine at any time. These data sheets describe the chemicals and summarize information on the hazard and toxicity of specific chemical compounds. They also provide information on the proper handling of compounds, first aid for accidental exposure, and procedures to remedy spills or leaks.

Read the MSDS or SDS for each chemical you use. Store and handle all chemicals in accordance with standard safety procedures. Always wear protective gloves and safety glasses when you use solvents or corrosives. Also, contain waste streams, use proper ventilation, and dispose of all laboratory reagents according to the directions in the MSDS or SDS.

**Table 7.** Chemicals, tools, and equipment (Sheet 1 of 2)

Description	Part number
<b>Chemicals</b>	
Acetone (or other suitable polar solvent)	
HPLC grade	Fisher Scientific A949
GC Resolv	Fisher Scientific A928-4 (amber glass, 4L)
Detergent (for example, Liquinox™)	(Liquinox) Fisher Scientific: <ul style="list-style-type: none"> <li>• 50-821-299 (1 quart)</li> <li>• 50-821-298 (1 gallon)</li> </ul>
Methanol, LC/MS-grade	Fisher Scientific A456-1
Nitrogen gas, clean and dry	–
Water, LC/MS-grade	Fisher Scientific W6-1
Water, tap	–

**Table 7.** Chemicals, tools, and equipment (Sheet 2 of 2)

Description	Part number
<b>Tools</b>	
Fused-silica cutting tool	–
Hex ball driver, 3 mm	00725-00048 <sup>a</sup>
Hex driver (or ball driver), 1/4 in.	–
Hex ball driver set: 0.050 in., 1/16 in., 5/64 in., 3/32 in., 7/64 in., 1/8 in., 9/64 in., 5/32 in., and 3/16 in.	00025-03025
Ion transfer tube removal tool	70111-20258 <sup>b</sup>
Screwdriver, Phillips #2	–
Screwdrivers, slotted: large and small	–
Wrenches, open-end: 5/16 in., 3/8 in., and 1/2 in.	–
(Optional) Toothbrush, soft (or similar tool)	–
(Optional) Tweezers, plastic (or similar tool)	–
<b>Equipment</b>	
Aluminum foil, heavy gauge <sup>c</sup>	Fisher Scientific 01-213-104
Beaker or graduated cylinder (for use with methanol)	–
Chamois-tipped swabs	00301-01912
Gloves, lint-free and powder-free	Fisher Scientific 19-120-2947 <sup>d</sup>
	<b>Unity Lab Services:</b>
	<ul style="list-style-type: none"> <li>• 23827-0008 (size medium)</li> <li>• 23827-0009 (size large)</li> </ul>
Industrial tissues, lint-free	–
Magnification device	–
MICRO-MESH™ polishing swabs, 6000 grit (light purple color), 2.25 in. long <sup>e</sup>	00301-01911
Sonicator	–

<sup>a</sup> Provided in the HESI-II Probe Kit

<sup>b</sup> Provided in the MS Accessory Kit

<sup>c</sup> Rinse each sheet with acetone before use.

<sup>d</sup> Multiple sizes are available.

<sup>e</sup> Provided in the optional PM Cleaning Kit.

## API Source Housing Maintenance

Only Thermo Fisher Scientific field service engineers can service the API source housing, while user maintenance is limited to cleaning the housing as necessary. Follow all safety precautions in the *Ion Max and Ion Max-S API Source Hardware Manual* regarding the installation and removal of the API source. For any additional service, contact your local Thermo Fisher Scientific field service engineer.

### ❖ To clean the API source housing

1. Remove the Ion Max or Ion Max-S API source housing from the mass spectrometer.
2. In an appropriate fume hood, rinse the interior of the housing with LC/MS-grade methanol.
3. Allow the housing to dry before you install it on the mass spectrometer.

## API Source Probe Maintenance

This section contains information for maintaining the API source probes:

- [ESI Probe Maintenance](#)
- [HESI-II Probe Maintenance](#)
- [APCI Probe Maintenance](#)

For API source probe maintenance tasks, you need the following tools and supplies (see also [Table 7](#) on [page 56](#)).

Tools	Supplies
Fused-silica cutting tool	Chamois-tipped swabs
Magnification device	Gloves, lint-free and powder-free
7/64 in. hex driver	Lint-free industrial tissues
5/16 in. open-end wrench	Methanol, LC/MS-grade
3/8 in. open-end wrench	Nitrogen gas
1/2 in. open-end wrench	Water, LC/MS-grade

### IMPORTANT

- Prepare a clean work surface by covering the area with lint-free paper.
- Put on a new pair of lint- and powder-free gloves before starting each of these removal, cleaning, and reinstallation procedures.

## ESI Probe Maintenance

The ESI probe requires minimum maintenance. If the fused-silica sample tube is plugged or broken, replace it. You can trim or replace the sample tube without disassembling the ESI probe. However, to clean the nozzle bore or the interior surfaces of the ESI manifold or to replace the electrospray needle or needle seal, you must disassemble the ESI probe.



**CAUTION Hot surface.** At operating temperatures above 350 °C (662 °F), the probe and API source housing can severely burn you.

- Before removing the probe or API source housing, allow the part to cool to room temperature (approximately 20 minutes) before touching it.
- If the instrument connects to an LC system, leave the solvent flow from the LC pump on while the probe cools to room temperature.

To maintain the ESI probe, follow these procedures:

- [Flushing the Sample Transfer Line and Sample Tube](#)
- [Trimming the ESI Sample Tube](#)
- [Disassembling the ESI Probe](#)
- [Cleaning or Replacing the ESI Probe Components](#)
- [Assembling the ESI Probe](#)
- [Installing a Fused-Silica Sample Tube and PEEK Safety Sleeve](#)
- [Installing an Optional Metal Sample Tube](#)

### Flushing the Sample Transfer Line and Sample Tube

You can minimize cleaning of the probe components by flushing the sample transfer line, sample tube, and probe at the end of each work day (or more often if you suspect they are contaminated). To remove contamination, use a 50:50 solution of LC/MS-grade methanol and LC/MS-grade water, and flush the solution from the LC system through the API source for approximately 15 minutes. For instructions, see [“Flushing the Inlet Components”](#) on [page 49](#).

## Trimming the ESI Sample Tube

Operating the instrument with acetonitrile in the mobile phase can cause elongation of the polyimide coating on the fused-silica sample tube. If the polyimide coating has elongated past the end of the electrospray needle, cut and reposition the end of the sample tube.

### ❖ To cut and reposition the end of the sample tube

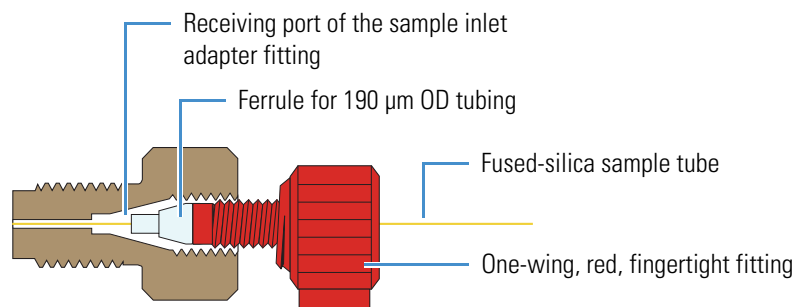
1. Place the instrument in Standby mode (see [page 35](#)) and let it cool to room temperature. See the temperature cautionary statement on [page 59](#).
2. Remove the ESI probe from the API source housing.

For instructions, refer to Chapter 2, “Setting Up the API Source,” in the *LTQ Series Getting Started Guide*.

3. Loosen the red fitting of the two-piece fingertight fitting that secures the position of the sample tube and the safety sleeve at the ESI probe sample inlet ([Figure 29](#)).

**Note** When the nut and ferrule assembly are properly positioned in the receiving port, the receiving port compresses the ferrule so that it fits snugly to the tubing. When you loosen the fitting, the receiving port does not compress the ferrule and the tubing is free to move.

**Figure 29.** Two-piece fingertight fitting and loosened sample inlet adapter fitting



4. Gently pull back on the sample tube to free it from the ferrule.
5. Push the sample tube forward so that it extends beyond the end of the electrospray needle.
6. Using the fused-silica cutting tool, cut a small length (4–5 mm) of sample tubing and then under magnification check that the end is squarely cut.
7. Pull the sample tube backwards until the exit end of the sample tube is flush with the ESI needle.

The optimal sample tube protrusion depends on the solvent flow rate, as follows:

- For flow rates less than or equal to 100  $\mu\text{L}/\text{min}$ , set the sample tube protrusion to 1 mm past the ESI needle tip.

- For flow rates greater than 100  $\mu\text{L}/\text{min}$ , make sure that the sample tube is flush with the ESI needle tip or recessed inside the ESI needle by less than 1 mm.
8. Tighten the two-piece fingertight fitting securely to hold the sample tube in place.
  9. Because the sample tube can move forward when tightening the two-piece fingertight fitting, make sure that the sample tube is still set to the appropriate protrusion. If necessary, loosen the fitting and reposition the sample tube.
  10. Reinstall the ESI probe into the API source housing.

## Disassembling the ESI Probe

To replace or clean the ESI probe components, disassemble the ESI probe.

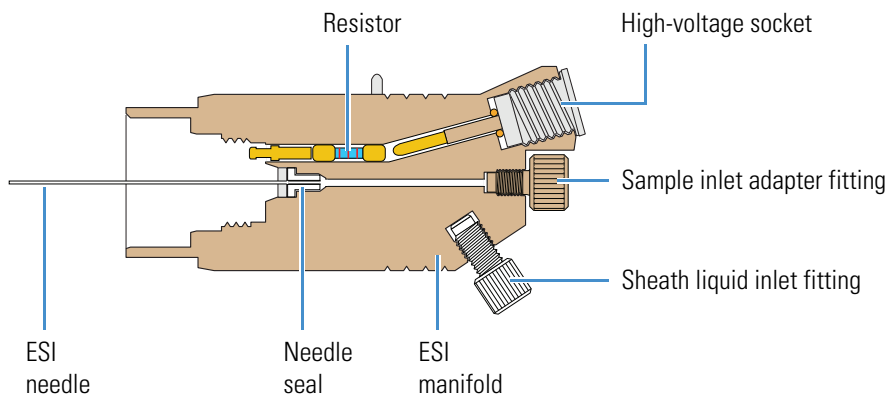
### ❖ To disassemble the ESI probe

1. Place the instrument in Standby mode (see [page 35](#)) and let it cool to room temperature.
2. Remove the ESI probe from the API source housing.

For instructions, refer to Chapter 2, “Setting Up the API Source,” in the *LTQ Series Getting Started Guide*.

3. Unscrew the red fitting of the two-piece fingertight fitting from the sample inlet adapter fitting and remove the sample tube from the ESI probe.
4. Because the ESI manifold contains loose components (battery contact and resistor subassembly), hold the ESI probe with the nozzle facing upward.
5. Using the 5/16 in. open-end wrench, remove the ESI nozzle from the ESI manifold (see [Figure 32](#) on [page 64](#)).
6. If the nozzle requires cleaning, follow the procedure “[To clean the ESI nozzle](#)” on [page 62](#).
7. Pull the ESI needle out of the ESI manifold ([Figure 30](#)).

**Figure 30.** ESI probe with the nozzle removed



8. To dislodge the needle seal, gently tap the ESI manifold against a hard surface.  
  
If necessary, use the needle or another appropriate tool to push the needle seal out of the ESI manifold. Tapping the manifold against a hard surface can also dislodge the resistor and battery contact.
9. Using the 1/2 in. open-end wrench, disconnect the high-voltage (HV) socket from the ESI probe.
10. Unscrew the fitting from the sheath liquid inlet.
11. If the ESI manifold needs cleaning, follow the procedure “[To clean and dry the ESI manifold](#)” on [page 63](#).
12. To reassemble the ESI probe, see “[Assembling the ESI Probe](#)” on [page 64](#).

## Cleaning or Replacing the ESI Probe Components

Maintaining the ESI probe requires occasional replacement of the 26-gauge needle, the needle seal, the ESI nozzle, and the HV socket O-rings. In addition, the ESI nozzle and manifold occasionally require cleaning.

For field service use only	Part number
ESI 26-gauge spray needle	00950-00990
ESI needle seal	00950-00952
ESI nozzle O-ring, Viton™, 0.676 in. ID	00107-05710
ESI high-voltage socket O-ring	00107-02550

### ❖ To clean the ESI nozzle

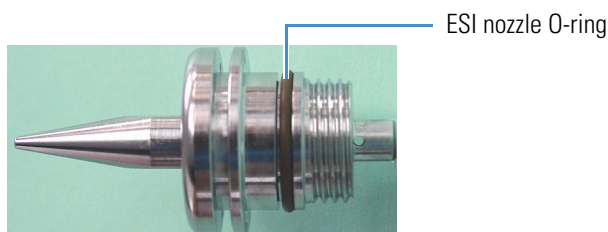
**IMPORTANT** Always use LC/MS-grade methanol (see [Table 7](#) on [page 56](#)).

1. Disconnect the ESI nozzle from the ESI manifold (see steps 3–5 in “[To disassemble the ESI probe](#)” on [page 61](#)).
2. Clean the bore of the ESI nozzle with methanol.  
  
The choice of solvent depends on the solubility of the chemical deposits.
3. Rinse the nozzle with methanol.
4. Dry the component with nitrogen gas to make sure that all the solvent evaporates.



5. Inspect the ESI nozzle O-ring and replace it if necessary (Figure 31).

**Figure 31.** ESI nozzle and O-ring



6. Reconnect the ESI nozzle to the ESI manifold (see page 64).

If the needle is damaged, replace it. If the sheath gas is leaking at the interface between the needle seal and the needle, replace the needle seal.

❖ **To replace the needle, needle seal, or both**

1. Disconnect the ESI nozzle from the ESI manifold (see steps 3–5 in “To disassemble the ESI probe” on page 61).
2. Pull the ESI needle out of the ESI manifold.
3. To dislodge the needle seal, gently tap the ESI manifold against a hard surface.

If necessary, use the needle or another appropriate tool to push the needle seal out of the ESI manifold. Tapping the manifold against a hard surface can also help to dislodge the resistor and battery contact.

4. If necessary, replace the needle seal, the 26-gauge spray needle, or both.
5. Reassemble the ESI probe (see steps 1–6 in “To assemble the ESI probe” on page 64).

❖ **To clean and dry the ESI manifold**

**IMPORTANT** Always use LC/MS-grade methanol and LC/MS-grade water (see Table 7 on page 56).

1. Disassemble the ESI probe (see steps 3–5 in “To disassemble the ESI probe” on page 61).
2. Rinse the ESI manifold with water and then with methanol.
3. Remove excess methanol from the manifold with a lint-free tissue.
4. Dry the component with nitrogen gas to make sure that all the solvent evaporates.
5. Inspect the spray needle, nozzle O-ring, HV socket O-ring, and needle seal.
6. Replace any damaged parts.
7. Reassemble the ESI probe (see the following procedure).

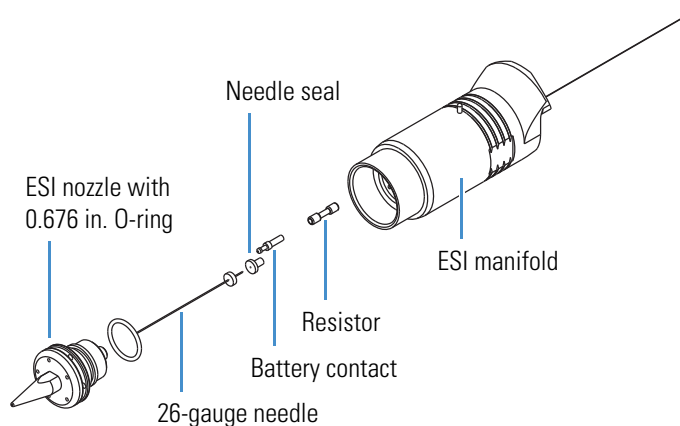
## Assembling the ESI Probe

Follow this procedure after cleaning or replacing ESI probe components.

### ❖ To assemble the ESI probe

1. Insert the resistor and battery contact subassembly into the ESI manifold.

**Figure 32.** Front end of the ESI probe (exploded view)



2. Insert the entrance end of the ESI needle into the needle seal.
3. Position the ESI needle and needle seal in the ESI manifold.
4. Make sure that the 0.676 in. ID O-ring is in the precut groove on the ESI nozzle (Figure 31 on page 63).
5. Thread the ESI nozzle over the needle and into the ESI manifold. Slightly wet the nozzle threads with LC/MS-grade methanol for lubrication.
6. Using the 5/16 in. open-end wrench, tighten the ESI nozzle until it is a little more than fingertight—do not overtighten the nozzle.
7. Insert the HV socket into the back of the ESI manifold, and use the 1/2 in. open-end wrench to tighten the socket.
8. Reconnect the sheath liquid inlet fitting.
9. Install a new sample tube (see page 66).

## Installing a Fused-Silica Sample Tube and PEEK Safety Sleeve


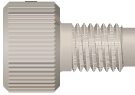
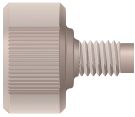
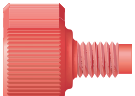
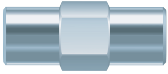
When you use a fused-silica sample tube with the ESI or HESI-II probe, cover the exposed portion of the sample tube with a PEEK safety sleeve.



**CAUTION Avoid electrical shock.** Cover the fused-silica sample tube with the PEEK safety sleeve and use the associated PEEK ferrules provided in the Safety Sleeve Kit before operating the instrument. The PEEK tubing acts as a second level of protection against accidental electrical discharge.

Table 8 lists the parts for installing a fused-silica sample tube with the PEEK safety sleeve.

**Table 8.** Parts for a fused-silica sample tube

Image	Description	Part number
	Ferrule, natural PEEK, 0.027 in. ID (for use with the 0.024 in. OD PEEK safety sleeve)	00101-18119
	Fitting, adapter, natural PEEK, 10-32 to 1/4-28, 0.040 in. (1.0 mm) thru-hole (for the ESI probe sample inlet) (Upchurch Scientific™ P-669)	00101-18080
	Fitting, fingertight, natural PEEK, two wings (for the 1/16 in. OD high-pressure tubing) (Upchurch Scientific F-300)	00101-18081
	Fitting, fingertight, red, one wing (for the 1/16 in. OD high-pressure tubing) (Upchurch Scientific F-200)	00101-18195
	Fitting, grounding union, stainless steel, 0.010 in. thru-hole (Upchurch Scientific U-435)	00101-18182
–	Safety sleeve, natural PEEK tubing, 230 µm ID, 610 µm OD, 25.4 cm long (0.009 in. ID, 0.024 in. OD, 10 in. long)	00301-22806
–	Tubing, fused-silica, 100 µm ID, 193 µm OD (0.003 in. ID, 0.008 in. OD)	00106-10499
–	Tubing, red PEEK, 127 µm ID, 1/16 in. OD (0.005 in. ID, 1.6 mm OD)	00301-22912

To install the fused-silica sample tube, thread the sample tube through the ESI needle that protrudes from the ESI probe nozzle and the safety sleeve. Because you must thread the tubing through these small orifices, you might find a magnifying device useful.

❖ **To install the new sample tube and PEEK safety sleeve**

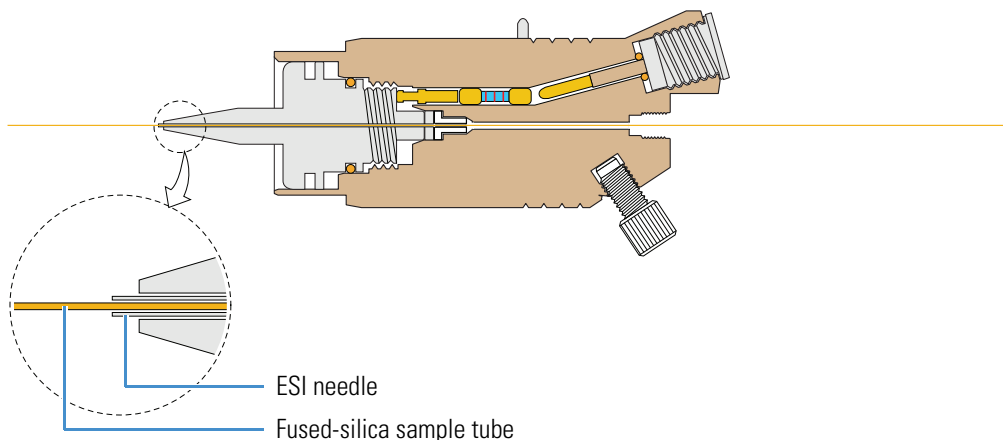
1. Using the fused-silica cutting tool, cut approximately 38 cm (15 in.) of fused-silica tubing, and then under magnification check that the end is cut squarely.

The piece of sample tubing must be long enough to extend through the ESI probe and the natural PEEK safety sleeve.

2. Remove the sample inlet adapter from the ESI probe sample inlet.
3. Insert the sample tube through the ESI needle that protrudes from the front of the ESI nozzle, and then push it through the ESI probe until approximately 3.5 cm (1.5 in.) protrudes past the front of the probe.

The remaining length of the sample tube protrudes from the ESI probe sample inlet at the back of the probe (Figure 33).

**Figure 33.** Fused-silica sample tube inserted through the front of the ESI probe

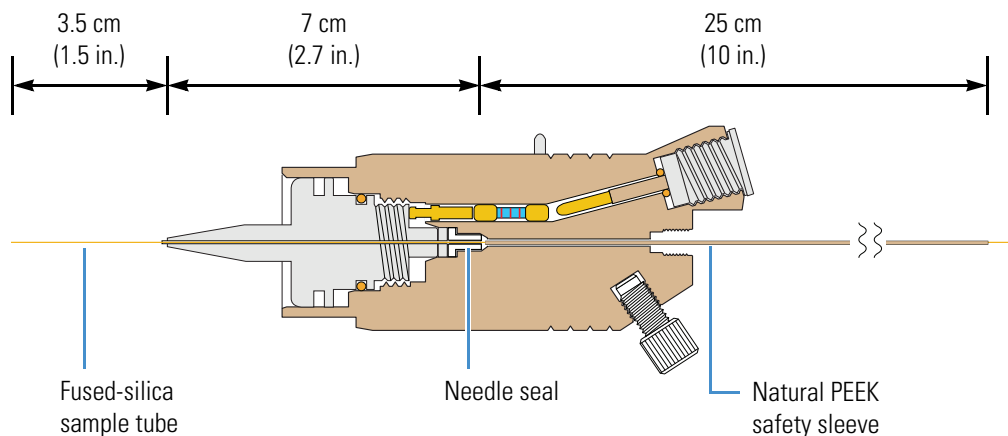


4. Slide the safety sleeve over the end of the sample tube that protrudes at the back of the probe sample inlet, and then push the safety sleeve into the probe until it meets resistance (Figure 34).



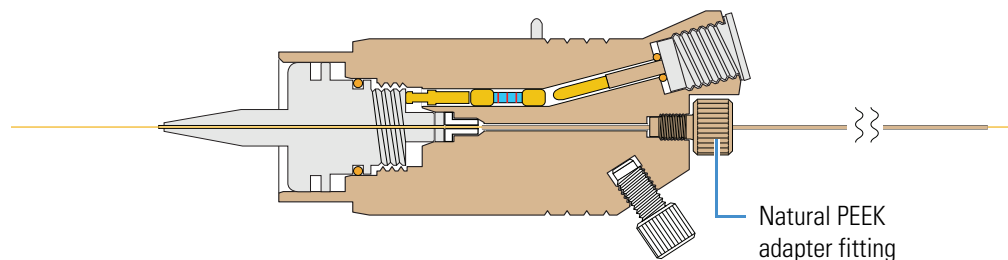
**CAUTION Avoid electric shock.** You must install the PEEK safety sleeve, which acts as a second level of protection against accidental electrical discharge.

**Figure 34.** Natural PEEK safety sleeve installed in the sample inlet (ESI probe)



5. With the external threads facing the ESI probe sample inlet, slide the natural PEEK fitting adapter over the safety sleeve, and then finger tighten the fitting into the ESI probe sample inlet (Figure 35).

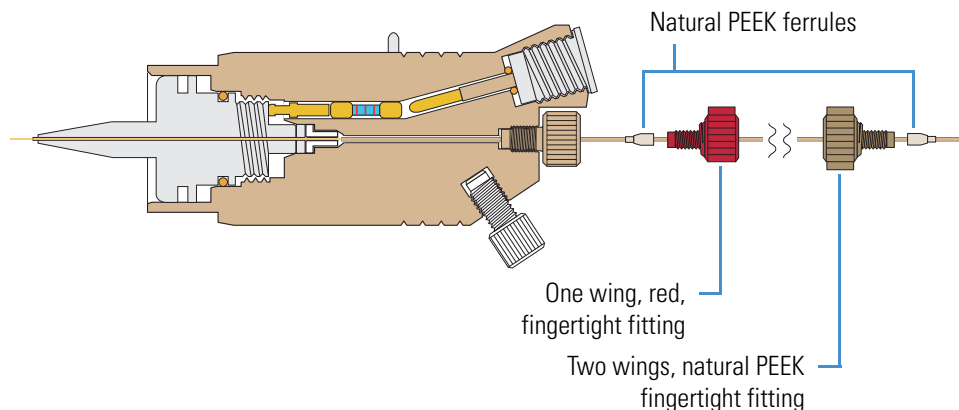
**Figure 35.** Natural PEEK adapter fitting installed to secure the safety sleeve (ESI probe)



6. Slide the other fingertight fittings onto the PEEK sleeve (Figure 36) as follows:
  - a. Slide the natural PEEK ferrule with the tapered end facing the sample inlet onto the safety sleeve.
  - b. Slide the red, one-wing fingertight fitting with the threaded end facing the sample inlet onto the safety sleeve.
  - c. Slide the natural PEEK, two-wing fingertight fitting with the threaded end facing away from the sample inlet onto the safety sleeve.

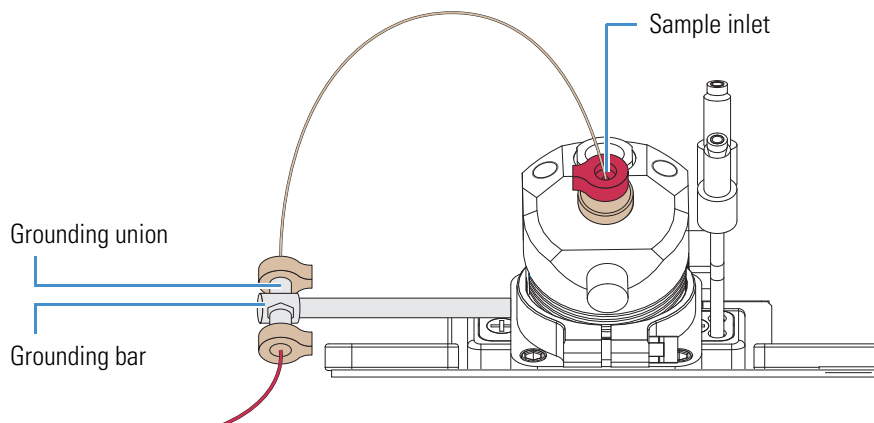
- d. Slide the natural PEEK ferrule with the tapered end facing away from the sample inlet onto the safety sleeve.

**Figure 36.** Fingertight fittings installed over the safety sleeve (ESI probe)



7. Connect the safety sleeve and sample tube assembly to the grounding union as follows:
  - a. Adjust the position of the sample tube so that it is flush with the end of the safety sleeve that protrudes from the back of the probe.
  - b. To provide leverage when tightening the fitting to the union, position the grounding union in the grounding union bar of the API source housing (Figure 37).

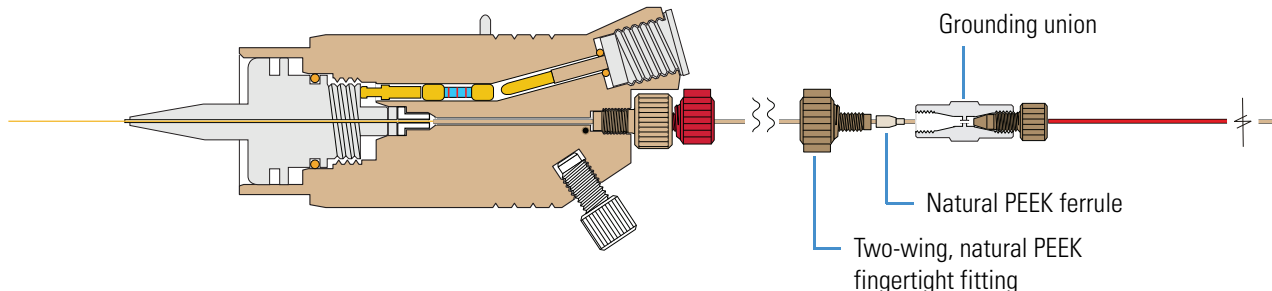
**Figure 37.** Grounding union positioned in the grounding bar



- c. To prevent the sample tube from slipping through the grounding union thru-hole and out the other end, connect a fingertight fitting and red PEEK tubing to the other end of the grounding union.

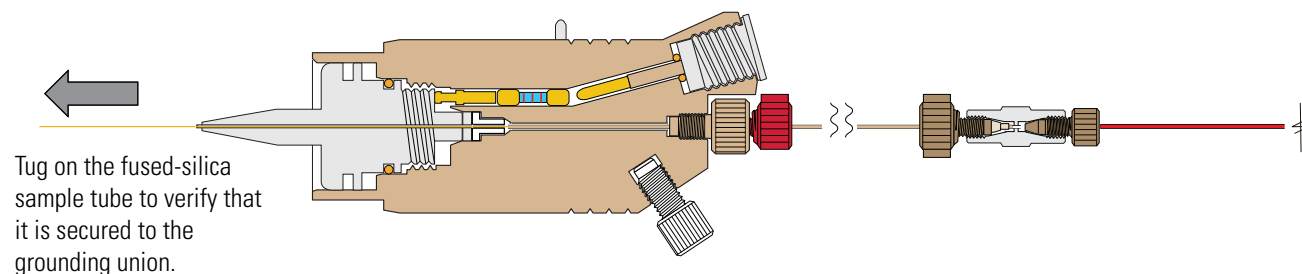
- d. While holding the safety sleeve and sample tube firmly against the grounding union receiving port, manually tighten the fitting as tight as you can (Figure 38 and Figure 39).

**Figure 38.** Safety sleeve connection to the grounding union (ESI probe)



- e. Make sure that the sample tube is held tightly in the grounded union by gently pulling it from the exit end of the ESI needle (Figure 39).

**Figure 39.** Sample tube securely tightened to the grounding union (ESI probe)

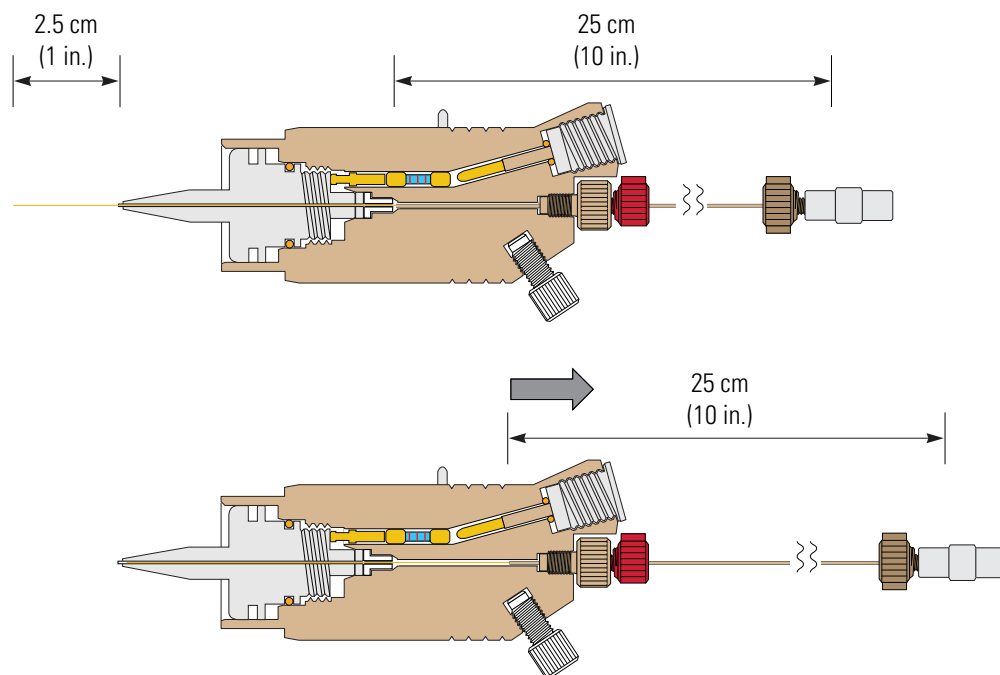


8. Adjust the position of the sample tube as follows:
  - a. Using the fused-silica cutting tool, cut the sample tube approximately 2.5 cm (1 in.) past the tip of the ESI needle.
  - b. From the ESI sample inlet, loosen the red PEEK fitting, and then pull the safety sleeve backwards so that the sample tube is positioned appropriately within the ESI needle (Figure 40).

The optimal position of the sample tube depends on the solvent flow rate, as follows:

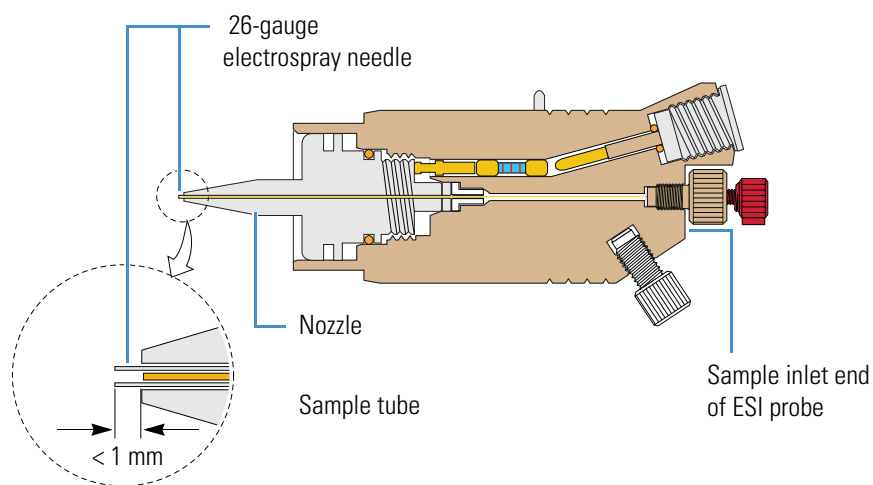
- For flow rates less than or equal to 100  $\mu\text{L}/\text{min}$ , set the sample tube protrusion to 1 mm past the ESI needle tip.
- For flow rates greater than 100  $\mu\text{L}/\text{min}$ , make sure that the sample tube is flush with the ESI needle tip or recessed inside the ESI needle by less than 1 mm (Figure 41).

**Figure 40.** Adjusting the sample tube position (ESI probe)



- c. Tighten the fingertight fitting to secure the safety sleeve and sample tube.
- d. Because the sample tube can move forward when tightening the sample inlet fitting, make sure that the sample tube is initially recessed within the ESI needle. If necessary, loosen the red PEEK fitting and reposition the sample tube.

**Figure 41.** Sample tube position for flow rates greater than 100  $\mu\text{L}/\text{min}$  (ESI probe)





## Installing an Optional Metal Sample Tube

You can configure the ESI probe to use a stainless-steel metal sample tube rather than a fused-silica sample tube. Two kits are available, one that includes a 32-gauge metal sample tube for typical flow rates used in ESI and another with a 34-gauge metal sample tube used for low-flow applications. Both kits include instructions for installing the stainless steel sample tube. For part numbers, see [“API Source Probes and Parts”](#) on [page 132](#).

## HESI-II Probe Maintenance

The HESI-II probe requires minimum maintenance. If the metal sample tube is plugged, replace it. Replacing the metal sample tube requires a partial disassembly of the probe.



**CAUTION Hot surface.** At operating temperatures above 350 °C (662 °F), the probe and API source housing can severely burn you.

- Before removing the probe or API source housing, allow the part to cool to room temperature (approximately 20 minutes) before touching it.
- If the instrument connects to an LC system, leave the solvent flow from the LC pump on while the probe cools to room temperature.

To maintain the HESI-II probe, follow these procedures:

- [Flushing the Sample Transfer Line and Sample Tube](#)
- [Replacing the Needle Insert](#)

## Flushing the Sample Transfer Line and Sample Tube

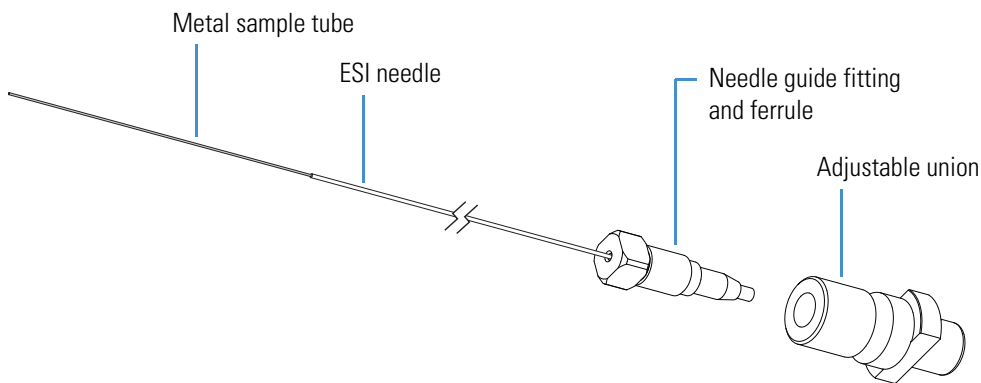
You can minimize cleaning of the probe components by flushing the sample transfer line, sample tube, and probe at the end of each work day (or more often if you suspect they are contaminated). To remove contamination, use a 50:50 solution of LC/MS-grade methanol and LC/MS-grade water, and flush the solution from the LC system through the API source for approximately 15 minutes. For instructions, see [“Flushing the Inlet Components”](#) on [page 49](#).

## Replacing the Needle Insert

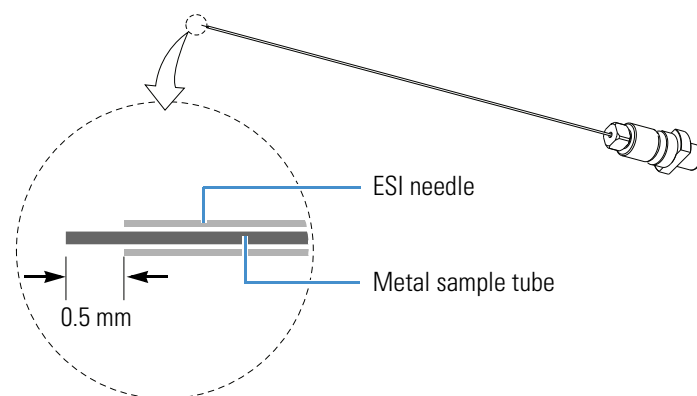
If the metal sample tube is plugged, you can replace the needle insert. The needle insert is assembled at the factory and consists of an adjustable union, needle guide fitting, ferrule, O-ring, ESI needle, and metal sample tube ([Figure 42](#)). The ferrule is swaged onto the ESI needle. Factory adjusted, the metal sample tube protrudes 0.5 mm from the end of the ESI needle ([Figure 43](#)).

To support flow rates of 5–2000  $\mu\text{L}/\text{min}$ , Thermo Fisher Scientific provides two metal needle inserts for the HESI-II probe. The difference between the two inserts is the size of the metal needle and supporting ferrule. For part numbers, see [“API Source Probes and Parts”](#) on [page 132](#).

**Figure 42.** Components of the metal ESI needle insert



**Figure 43.** Tip (enlarged) of the metal ESI needle insert



For field service use only	Part number
HESI-II probe, 32-gauge and 34-gauge needle inserts	See <a href="#">page 132</a> .

❖ **To replace the metal needle insert**

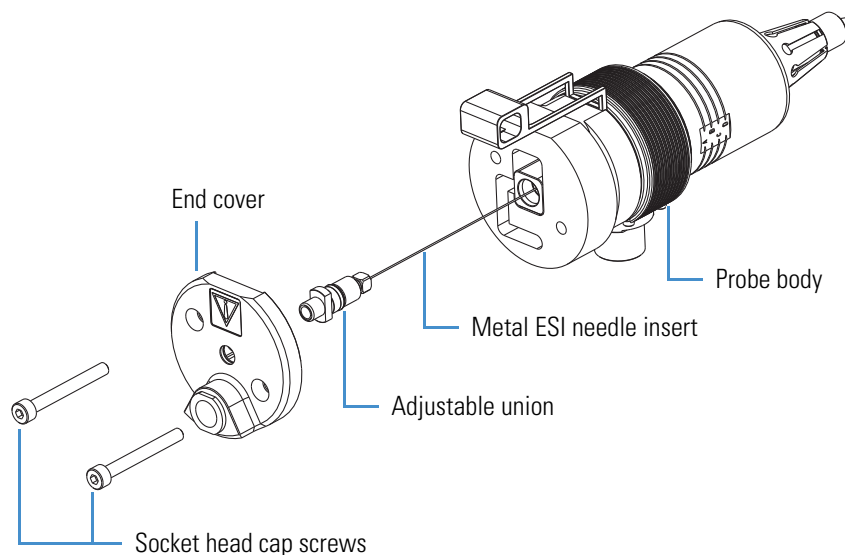
1. Place the instrument in Standby mode (see [page 35](#)) and let it cool to room temperature.
2. Remove the HESI-II probe from the API source housing.

For instructions, refer to Chapter 2, “Setting Up the API Source,” in the *LTQ Series Getting Started Guide*.

3. Unscrew the fingertight fitting from the sample inlet port.

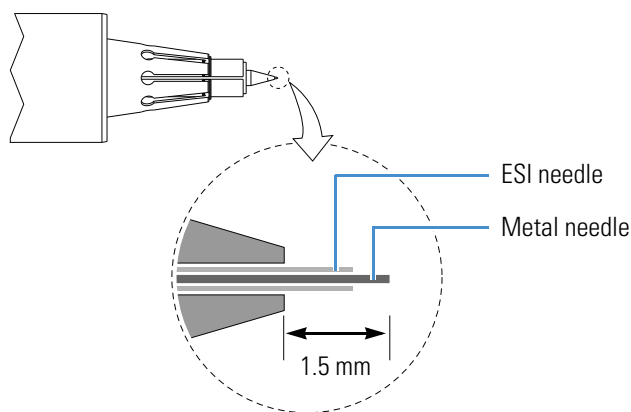
4. Remove the metal needle insert from the probe as follows (Figure 44):
  - a. Using the 3 mm hex driver, remove the two M4 × 35 mm long hex socket-head screws.
  - b. Pull the end cover off of the probe.
  - c. Unscrew the metal needle insert, and then pull it out of the probe body.

**Figure 44.** HESI-II probe disassembled (exploded view)



5. Insert a new metal needle insert into the probe body.
6. Hand-tighten the adjustable union fitting until the tip of the needle insert protrudes past the probe nozzle by 1.5 mm (Figure 45).

**Figure 45.** HESI-II probe nozzle tip (enlarged)



7. Place the end cover on the probe body, insert the two hex socket-head screws into the end cover, and then tighten them by using the 3 mm hex driver.

## APCI Probe Maintenance

The APCI probe requires minimum maintenance. Occasionally, you must clean the APCI nozzle and replace the internal APCI sample tube. The fused-silica tubing measures 150  $\mu\text{m}$  (0.006 in.) ID, 390  $\mu\text{m}$  (0.015 in.) OD, and 8.6 cm (3.4 in.) long.

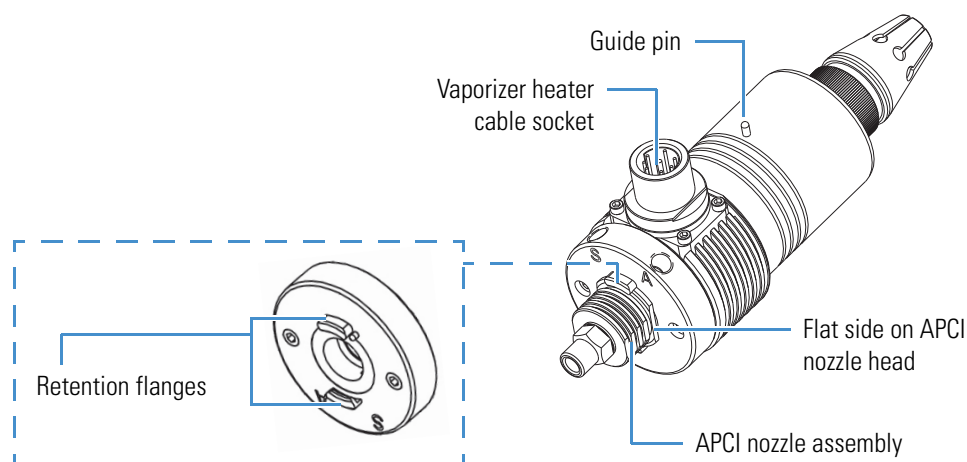


**CAUTION Hot surface.** At operating temperatures above 350 °C (662 °F), the probe and API source housing can severely burn you.

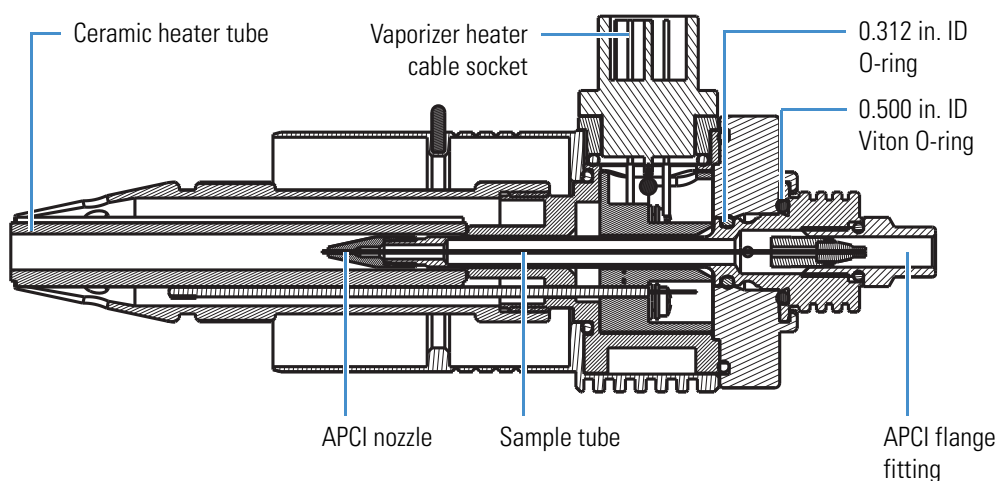
- Before removing the probe or API source housing, allow the part to cool to room temperature (approximately 20 minutes) before touching it.
- If the instrument connects to an LC system, leave the solvent flow from the LC pump on while the probe cools to room temperature.

Figure 46 and Figure 47 show the major components of the APCI probe.

**Figure 46.** APCI probe



**Figure 47.** APCI probe (cross section)



To maintain the APCI probe, follow these procedures:

1. [Flushing the Sample Transfer Line and Sample Tube](#)
2. [Removing the APCI Nozzle](#)
3. [Cleaning the APCI Nozzle](#)
4. [Removing the APCI Sample Tube](#)
5. [Installing the New APCI Sample Tube](#)
6. [Reassembling the APCI Probe](#)

## Flushing the Sample Transfer Line and Sample Tube

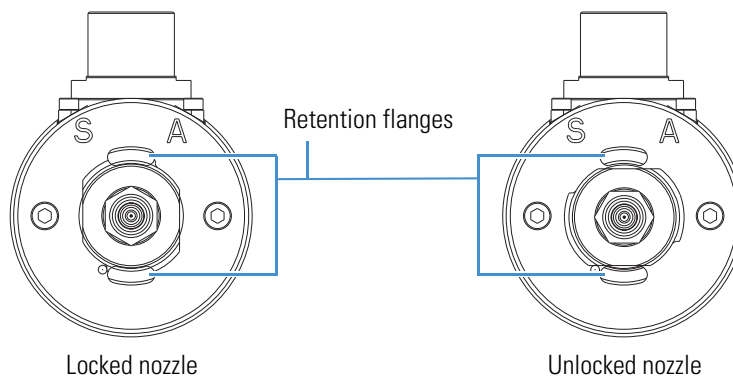
You can minimize cleaning of the probe components by flushing the sample transfer line, sample tube, and probe at the end of each work day (or more often if you suspect they are contaminated). To remove contamination, use a 50:50 solution of LC/MS-grade methanol and LC/MS-grade water, and flush the solution from the LC system through the API source for approximately 15 minutes. For instructions, see “[Flushing the Inlet Components](#)” on [page 49](#).

## Removing the APCI Nozzle

### ❖ To remove the APCI nozzle from the APCI probe

1. Place the instrument in Standby mode (see [page 35](#)) and let it cool to room temperature. See the temperature cautionary statement on [page 74](#).
2. Hold the APCI probe body with one hand and with the other hand grasp the head of the APCI nozzle assembly and rotate it counterclockwise until the flat sides of the head align with the retention flanges ([Figure 48](#)).

**Figure 48.** Sample inlet end of the APCI probe showing locked and unlocked nozzles



- Carefully pull out the nozzle assembly.



**CAUTION** If the sample tube hits the sides of the vaporizer, it can break. To prevent breakage, carefully pull the APCI nozzle straight back from the APCI probe.

- Place the nozzle assembly on the clean, lint-free work surface.

## Cleaning the APCI Nozzle

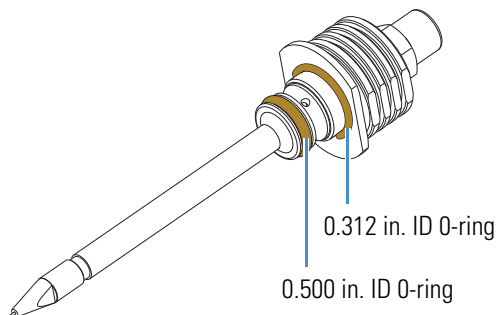
For field service use only	Part number
O-ring, silicone, 0.312 in. ID, 1/16 in. thick	00107-04500
O-ring, Viton, 0.500 in. ID, 1/16 in. thick	00107-05600

### ❖ To clean the APCI nozzle

**IMPORTANT** Always use LC/MS-grade methanol and LC/MS-grade water (see [Table 7 on page 56](#)).

- Remove the nozzle from the APCI probe body (see [page 75](#)).
- Check the condition of the O-rings on the APCI nozzle ([Figure 49](#)).

**Figure 49.** APCI probe nozzle assembly



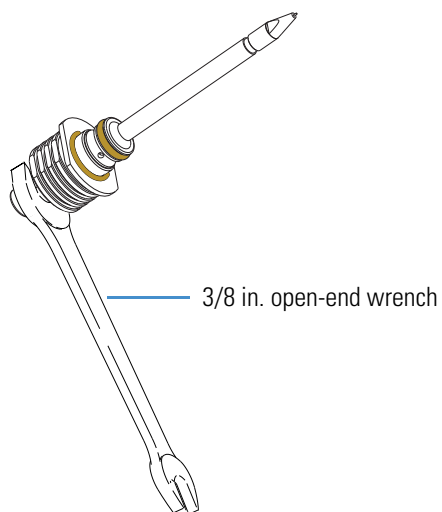
- Clean the interior APCI components (excluding the ceramic heater) with a 50:50 solution of methanol/water and a lint-free swab.
- Dry the components with nitrogen gas to make sure that all the solvent evaporates.
- Reinstall any O-rings removed while cleaning.
- Do one of the following:
  - If you do not want to replace the APCI sample tube, follow the procedure “[To reassemble the APCI probe](#)” on [page 79](#).
  - If you want to replace the sample tube, follow the procedure “[To remove the APCI sample tube](#)” on [page 77](#).

## Removing the APCI Sample Tube

### ❖ To remove the APCI sample tube

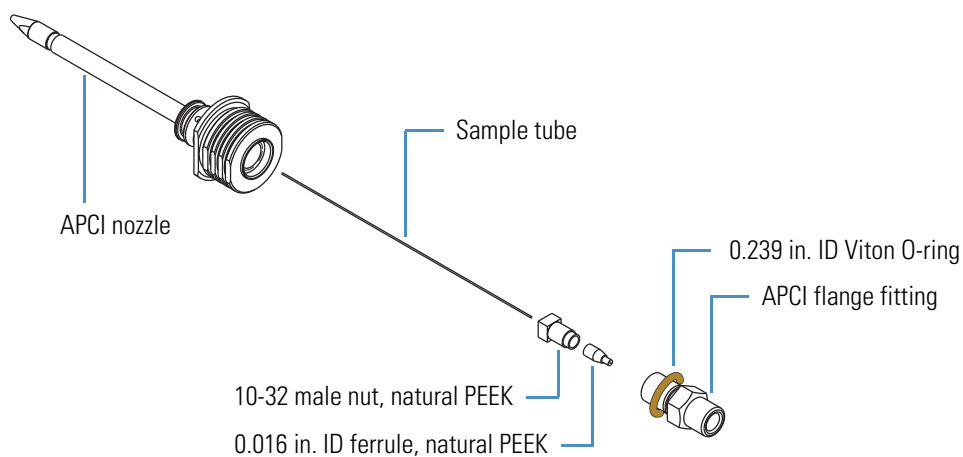
1. Remove the APCI nozzle from the APCI probe (see [page 75](#)).
2. Using the 3/8 in. open-end wrench, loosen the APCI flange fitting, and then pull the sample inlet fitting, exit nut, ferrule, and sample tube assembly from the APCI nozzle ([Figure 50](#)).

**Figure 50.** 3/8 in. open-end wrench on the APCI flange fitting



3. Remove the sample tube, nut, and ferrule assembly from the APCI flange fitting ([Figure 51](#)).

**Figure 51.** APCI sample tube connection



4. Discard the used sample tube.

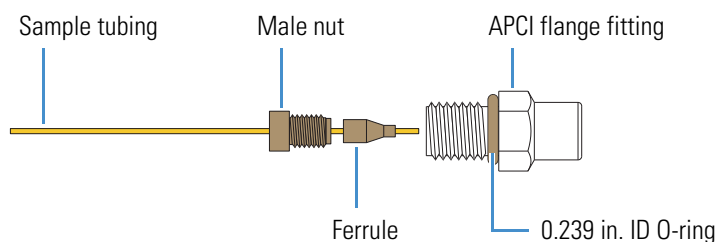
## Installing the New APCI Sample Tube

For field service use only	Part number
O-ring, Viton, 0.239 in. ID, 1/16 in. thick	00107-04000

### ❖ To install a new APCI sample tube

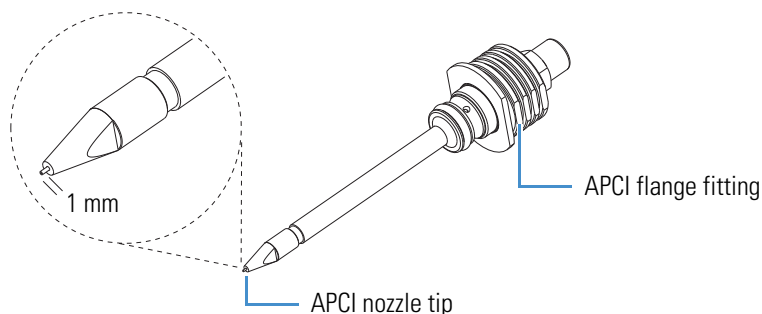
1. Remove the APCI sample tube from the APCI nozzle (see [page 77](#)).
2. Check the condition of the O-ring on the APCI flange fitting ([Figure 52](#)), and replace it if necessary.
3. Using the fused-silica cutting tool, cut approximately 13 cm (5 in.) of fused-silica tubing, and then under magnification check that the end is cut squarely.
4. Connect the sample tubing to the APCI flange fitting as follows:
  - a. Slide the nut and then the ferrule onto the sample tubing ([Figure 52](#)).

**Figure 52.** Sample tubing connection to the APCI flange fitting



- b. While pressing the sample tubing into the externally threaded end of the APCI flange fitting, finger tighten the nut and fitting.
5. Carefully insert the free end of the sample tubing into the back of the APCI nozzle and out the nozzle tip, and then finger tighten the APCI flange fitting.
  6. Using the 3/8 in. open-end wrench, tighten the APCI flange fitting an additional quarter turn ([Figure 50](#) on [page 77](#)).
  7. Using the fused-silica cutting tool, cut the sample tube approximately 1 mm past the tip of the APCI nozzle ([Figure 53](#)).

**Figure 53.** Sample tube extending past the APCI nozzle tip





## Reassembling the APCI Probe

### ❖ To reassemble the APCI probe

1. Hold the APCI probe body with one hand and with the other hand carefully insert the APCI nozzle into the APCI probe.
2. Align the flat sides of the APCI nozzle head with the retention flanges on the probe body (“unlocked nozzle” in [Figure 48](#) on [page 75](#)).
3. Rotate the head of the nozzle 90 degrees clockwise to secure the rounded sides of the nozzle head under the retention flanges (“locked nozzle” in [Figure 48](#) on [page 75](#)).

## API Source Interface Maintenance

To maintain the API source interface, follow these procedures:

- [Removing the API Source Interface](#)
- [Cleaning the Exit Lens and S-Lens on the Velos Pro MS](#)
- [Cleaning the Skimmer and Tube Lens on the LTQ XL and LXQ Mass Spectrometers](#)
- [Cleaning the API Ion Transfer Tube, Spray Cone, and Ion Sweep Cone](#)
- [Reinstalling the API Source Interface](#)

For API source interface maintenance tasks, you need the following tools and supplies (see also [Table 7](#) on [page 56](#)).

Tools	Supplies
Ion transfer tube removal tool	Chamois-tipped swabs
Magnification device	Detergent (for example, Liquinox)
Slotted screwdriver, small	Gloves, lint- and powder-free
Sonicator	Lint-free industrial tissues
(Optional) Soft toothbrush (or similar tool)	Methanol, LC/MS-grade
(Optional) Tweezers, plastic (or similar tool)	MICRO-MESH polishing swab, 6000 grit
(Optional) Wrenches, open-ended, large	Nitrogen gas
–	Water, LC/MS-grade

#### IMPORTANT

- Prepare a clean work surface by covering the area with lint-free paper.
- Put on a new pair of lint- and powder-free gloves before starting each of these removal, cleaning, and reinstallation procedures.



**CAUTION Hot surface.** At operating temperatures above 350 °C (662 °F), the probe and API source housing can severely burn you.

- Before removing the probe or API source housing, allow the part to cool to room temperature (approximately 20 minutes) before touching it.
- If the instrument connects to an LC system, leave the solvent flow from the LC pump on while the probe cools to room temperature.

## Removing the API Source Interface

### ❖ To remove the API source interface



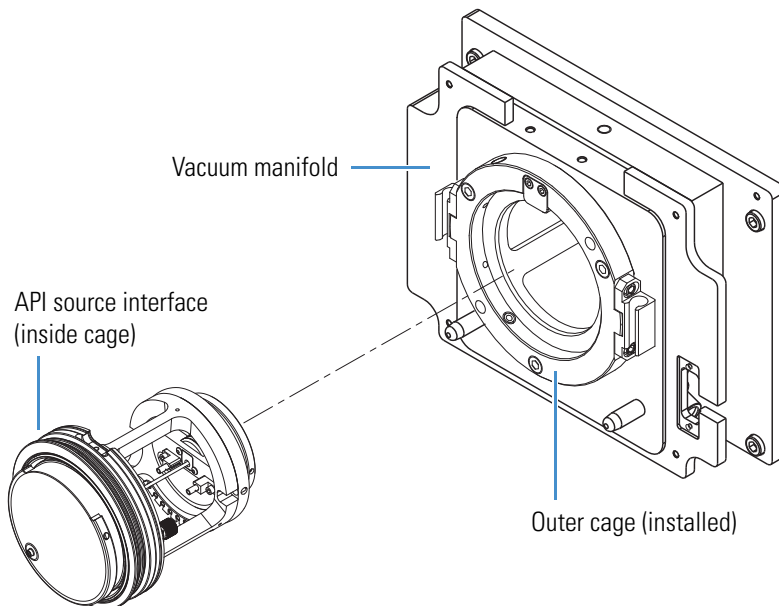
**CAUTION** To avoid an electrical shock, be sure to follow the instructions in “[Shutting Down the Mass Spectrometer Completely](#)” on [page 36](#) before continuing with this procedure.

1. Shut down and vent the system, and let it cool to room temperature.  
Venting the instrument can take several minutes.
2. Unplug the instrument’s power supply cord from the electrical outlet.
3. Remove the API source housing.

For instructions, refer to Chapter 2, “Setting Up the API Source,” in the *LTQ Series Getting Started Guide*.

4. Grasp the ridges on either side of the API source interface with your fingers and carefully pull it out of the vacuum manifold (Figure 54).

**Figure 54.** API source interface removed from the vacuum manifold



5. Place the API source interface on the clean, lint-free work surface.

## Cleaning the Exit Lens and S-Lens on the Velos Pro MS

Chemicals can accumulate on the surfaces of the exit lens and S-lens. The use of an S-Lens that incorporates an rf electric field, however, minimizes the harmful effects of this contamination. The exit lens and S-Lens require cleaning less often than the ion sweep cone and the ion transfer tube. Remove the exit lens and S-lens from the API source interface cage before cleaning them. No tools are needed to remove or install these components.

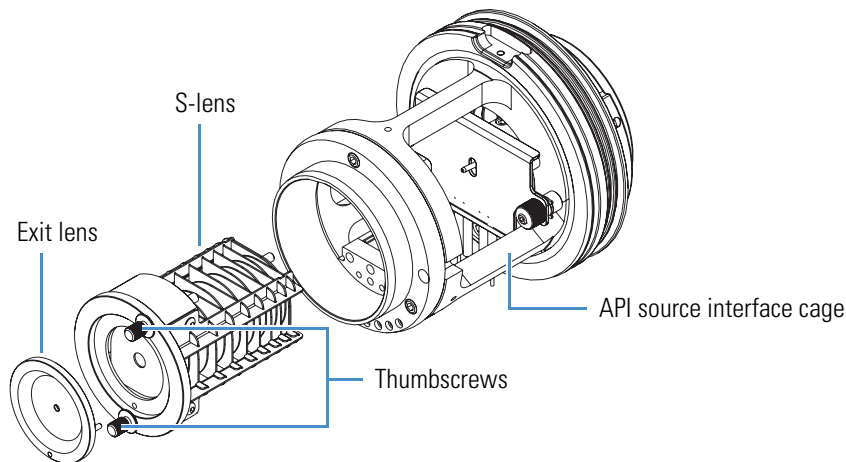
To clean the exit lens and S-lens, follow these procedures:

1. [To remove the exit lens and S-lens](#)
2. [To clean the exit lens and S-lens](#)
3. [To reinstall the S-lens and exit lens](#)

❖ **To remove the exit lens and S-lens**

1. Remove the API source interface (see [page 80](#)).
2. Loosen and extend the two thumbscrews that secure the exit lens and S-lens ([Figure 55](#)).

**Figure 55.** Exit lens, S-lens, and API source interface cage for the Velos Pro MS



3. Remove the exit lens from the S-lens and place it on the clean, lint-free work surface.
4. Grasping the two thumbscrews, carefully pull out the S-lens from the API source interface cage and place it on the work surface.

❖ **To clean the exit lens and S-lens**



**CAUTION** Do not clean the exit lens or S-lens with abrasives, acidic or caustic substances, or detergents not stated in this chapter.

**IMPORTANT** Always use LC/MS-grade methanol and LC/MS-grade water (see [Table 7](#) on [page 56](#)).

1. Using a magnification device, inspect the exit lens and S-lens for any lint, particulates, and sample buildup or coatings.
2. For 10 minutes, sonicate the components in either a 50:50 solution of methanol/water or a 1% solution of Liquinox in water. If a sonicator is not available, do the following:
  - a. To clean the exit lens, use a soft toothbrush with a 1% solution of Liquinox in water.
  - b. To clean the S-lens, use chamois-tipped swabs with a 1% solution of Liquinox in water. To clean the areas that you cannot reach with the chamois-tipped swab, use the 6000 grit MICRO-MESH polishing swabs.
3. For the exit lens, clean the bore by using the 6000 grit MICRO-MESH polishing swabs.
4. Rinse the components thoroughly with water.

5. Sonicate the components in water for 10 minutes.
6. Sonicate the components in methanol for 10 minutes.
7. Rinse the components with methanol.
8. Dry the components with nitrogen gas to make sure that the solvent evaporates.
9. Using a magnification device, inspect the components for any residual lint or particulates.

**Note** Inspect the orifices to confirm that no lint or particulates are present in the bore of the orifices. Use plastic tweezers or a similar tool to remove the lint or particulate.

❖ **To reinstall the S-lens and exit lens**

1. Slide the S-lens into the API source interface cage and align the thumbscrews with the screw holes (Figure 55 on page 82).
2. Align the exit lens lead pin with the lead pin socket on the S-lens, and firmly press it until it snaps into place.
3. Hand-tighten the thumbscrews.

## Cleaning the Skimmer and Tube Lens on the LTQ XL and LXQ Mass Spectrometers

Chemicals accumulating on the surfaces of the skimmer and tube lens form an insulating layer that can modify the electrical fields controlling ion transmission. The skimmer and tube lens require cleaning less often than the ion sweep cone and the ion transfer tube. No tools are needed to remove or install these components.



**CAUTION** Do not scratch the outside of the skimmer cone.

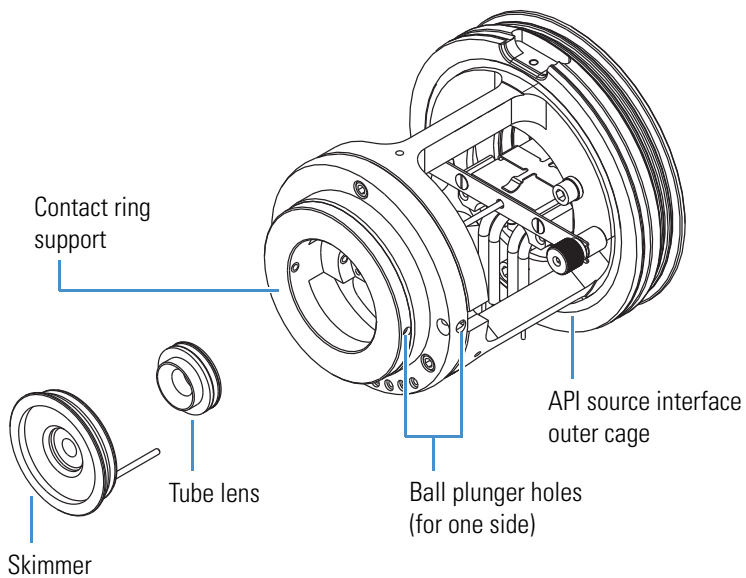
To clean the skimmer and tube lens, follow these procedures:

1. [To remove and clean the tube lens and skimmer](#)
2. [To reinstall the tube lens and skimmer, on page 86](#)

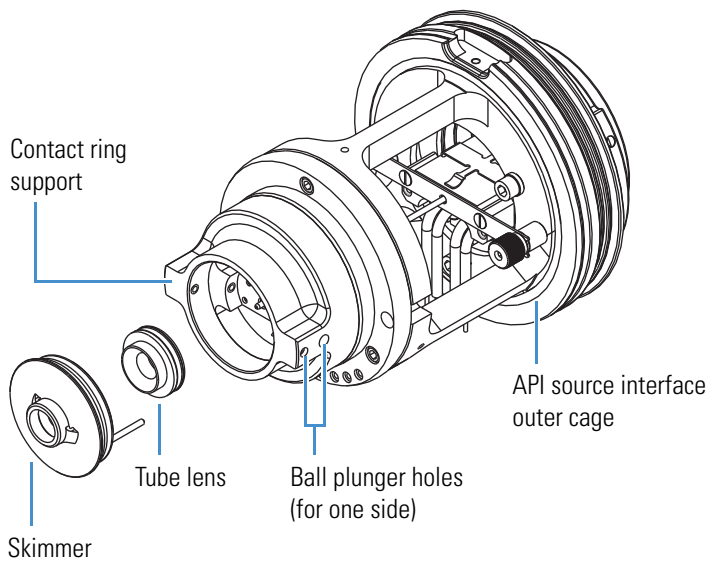
Figure 56 shows the skimmer and tube lens removed from the API source interface cage.

**Figure 56.** Skimmer, tube lens, and API source interface cage for the LTQ XL and LXQ MSs

LTQ XL MS



LXQ MS



❖ **To remove and clean the tube lens and skimmer**

1. Remove the API source interface (see [page 80](#)).
2. Grasp the outer ridges of the skimmer, pull it out of the contact ring support, and then place it on the clean, lint-free work surface.
3. From the back, push the tube lens out of the contact ring support, and then place it on the work surface. If necessary, first loosen the ball plungers a little by using the small slotted screwdriver.
4. Clean the components as follows:

**IMPORTANT** Always use LC/MS-grade methanol and LC/MS-grade water (see [Table 7 on page 56](#)).

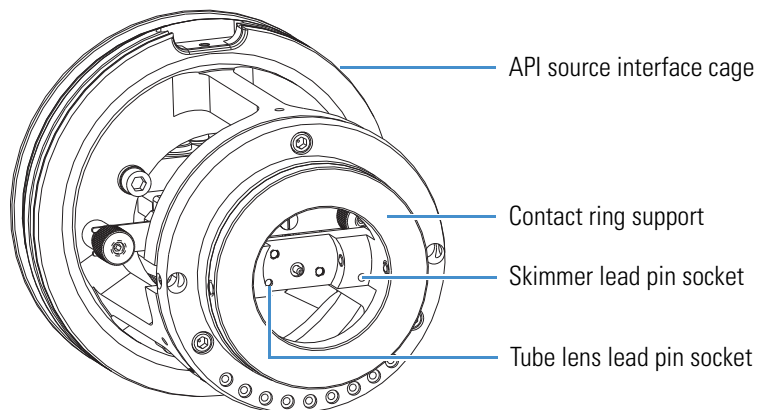
- a. Using a magnification device, inspect the components for any lint, particulates, and sample buildup or coatings.
  - b. Soak the lint-free tissues or chamois-tipped swabs in a 50:50 solution of methanol/water, and then clean the components.
  - c. Sonicate the components in methanol for 10 minutes.
- d. Dry the components with nitrogen gas to make sure that all the solvent evaporates.
5. Using a magnification device, inspect the components for any residual lint or particulates.

**Note** Inspect the inside surfaces and edges to confirm that no lint or particulates are present. Use plastic tweezers or a similar tool to remove the lint or particulate.

❖ **To reinstall the tube lens and skimmer**

1. Reinstall the tube lens into the API source interface cage as follows:
  - a. Orient the API source interface cage as shown in [Figure 57](#) and align the tube lens so that the lead pin points toward the correct socket in the contact ring support.
  - b. Insert the lead pin into the socket and firmly press it until it snaps into place.

**Figure 57.** LTQ XL MS API source interface cage



**CAUTION** Do not scratch the outside of the skimmer cone.

2. Reinstall the skimmer into the API source interface cage as follows:
  - a. Align the skimmer so that the lead pin points toward the socket in the contact ring support.
  - b. Insert the lead pin into the socket and firmly press it until it snaps into place.



## Cleaning the API Ion Transfer Tube, Spray Cone, and Ion Sweep Cone

Because buffer salts or high concentrations of sample can cause blockages, you must clean the bore of the ion transfer tube. If the pressure in the ion transfer tube–skimmer region (as measured by the Convectron gauge) drops considerably below 1 Torr, a blocked ion transfer tube is likely.

**Note** You do not have to vent the system to remove the ion transfer tube.

To clean the ion transfer tube, spray cone, and ion sweep cone, follow these procedures:

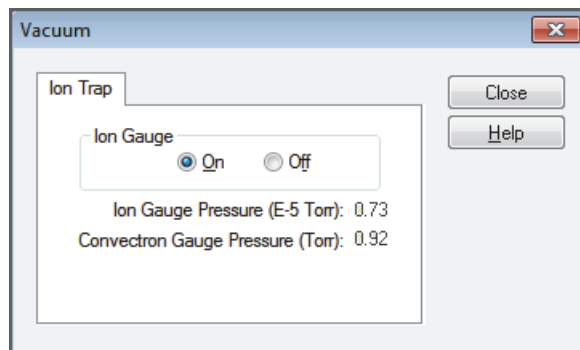
1. [To check the Convectron gauge pressure](#)
2. [To remove the ion transfer tube](#)
3. [To clean the ion transfer tube](#)
4. [To clean the spray cone and O-ring](#)
5. [To clean the ion sweep cone](#)
6. [To reinstall the API source interface, on page 92](#)

For field service use only	Part number
O-ring, Vespel™, 0.325 in. ID	97055-20442
Ion transfer tube	See <a href="#">page 133</a> .

### ❖ To check the Convectron gauge pressure

1. Open the Tune Plus window (see [page 34](#)).
2. Choose **Setup** > **Vacuum** to open the Vacuum dialog box ([Figure 58](#)).

**Figure 58.** Vacuum dialog box

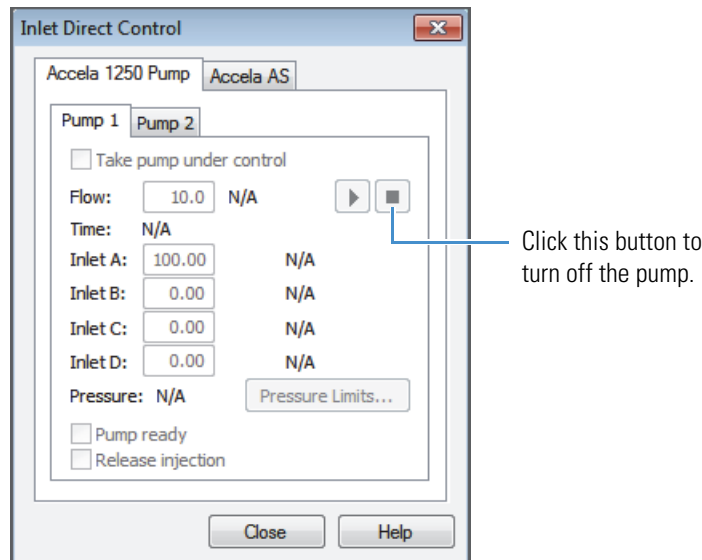


3. Check the reading for the Convectron Gauge Pressure. If the reading is considerably below 1 Torr, clean the ion transfer tube.

❖ **To remove the ion transfer tube**

1. Turn off the flow of liquid from the LC (or other sample introduction device) to the API source as follows:
  - a. Open the Tune Plus window (see page 34).
  - b. Choose **Setup > Inlet Direct Control** to open the Inlet Direct Control dialog box (Figure 59).

**Figure 59.** Inlet Direct Control dialog box for an Accela 1250 Pump



- c. Click the **Pump Off** or **Stop Pump** button.
2. Place the instrument's electronics service switch in the Service Mode (down) position to turn off the nonvacuum system voltages.

The service switch is located on the right side of the instrument.



**CAUTION** To avoid an electric shock, make sure that the electronics service switch is in the Service Mode (down) position before proceeding.



**CAUTION Hot surface.** The ion transfer tube operates above 250 °C (482 °F). Allow the ion sweep cone and ion transfer tube to cool to room temperature (approximately 20 minutes) before touching them.

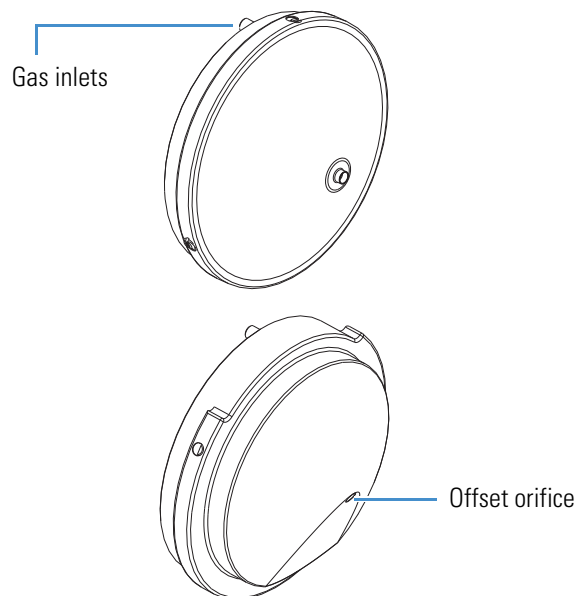
3. After the API source cools to room temperature, remove it.

For instructions, refer to Chapter 2, “Setting Up the API Source,” in the *LTQ Series Getting Started Guide*.

4. Grasp the outer ridges of the ion sweep cone and pull it off of the API cone seal.

Figure 60 shows the two types of ion sweep cones available on the LTQ Series MS. The ion sweep cone shown on the bottom has an offset orifice.

**Figure 60.** Ion sweep cones

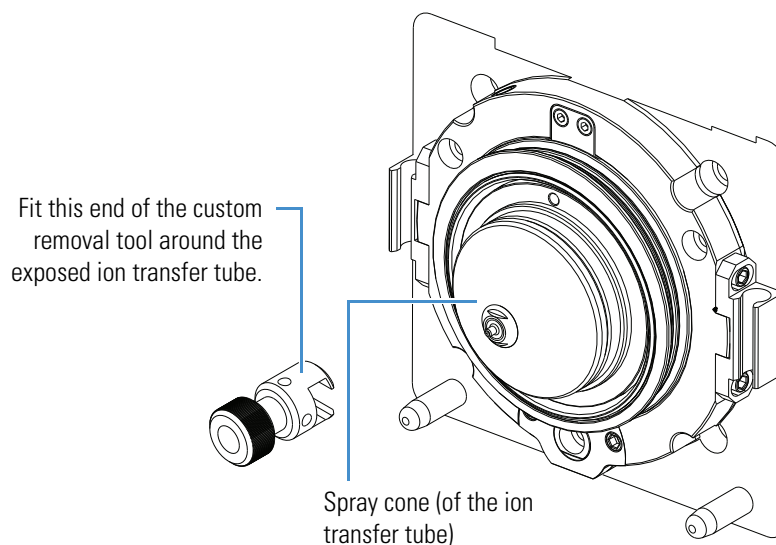


5. Remove the ion transfer tube as follows:
  - a. Align the flat edges (hook) of the ion transfer tube removal tool with the flat edges on the exposed tip of the ion transfer tube (Figure 61), and then turn the tool counterclockwise.

The MS Accessory Kit contains this custom tool.

- b. When the tube is free of the spray cone, use the hook on the tool to pull it straight out of the API source interface.

**Figure 61.** Ion transfer tube removal tool



❖ **To clean the ion transfer tube**

**IMPORTANT** Always use LC/MS-grade methanol and LC/MS-grade water (see Table 7 on page 56).

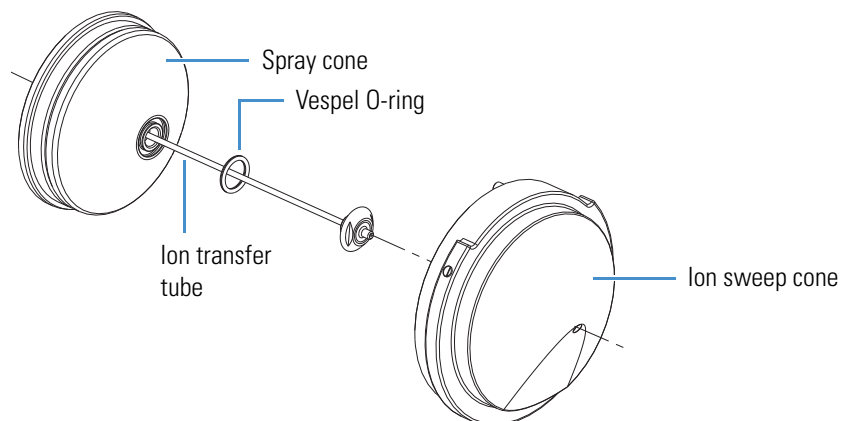
1. Soak the ion transfer tube in a 50:50 solution of methanol/water for 10 minutes to remove contaminants.
2. Sonicate the component in water for 10 minutes.
3. Dry the component with nitrogen gas to make sure that all the solvent evaporates.
4. Reinstall the ion transfer tube into the heater block, as follows:
  - a. Using the custom removal tool, rotate the ion transfer tube clockwise as you insert it.
  - b. Continue turning the tube until it is fingertight.

❖ **To clean the spray cone and O-ring**

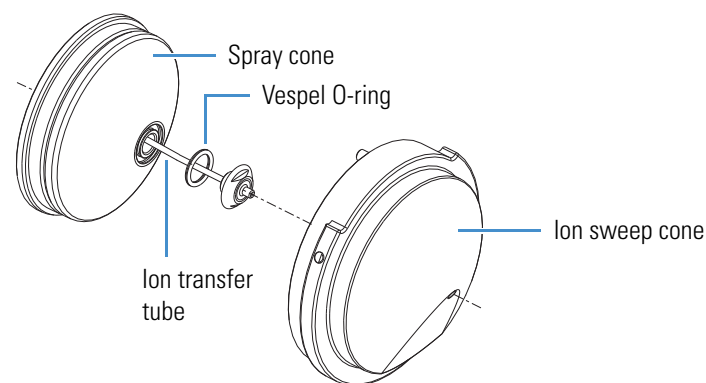
**IMPORTANT** Always use LC/MS-grade methanol and LC/MS-grade water (see Table 7 on page 56).

1. Soak the lint-free tissues or chamois-tipped swabs in a 50:50 solution of methanol/water, and then clean the exterior surface of the spray cone.
2. Remove and inspect the O-ring that is in the spray cone under the entrance end of the ion transfer tube (Figure 62 and Figure 63).

**Figure 62.** API source interface components for the LTQ XL and LXQ MSs



**Figure 63.** API source interface components for the Velos Pro MS



3. Clean the O-ring with methanol or replace it if necessary (see [page 87](#)).
4. Using a magnification device, inspect the components for any residual lint or particulates.

**Note** Inspect the inside surfaces and edges to confirm that no lint or particulates are present. Use plastic tweezers or a similar tool to remove the lint or particulate.

5. Reinstall the O-ring in the spray cone.



**CAUTION** Be careful not to bend the ion transfer tube. Rotate the tube as you insert it.

**❖ To clean the ion sweep cone**

**IMPORTANT** Always use LC/MS-grade methanol and LC/MS-grade water (see [Table 7 on page 56](#)).

1. Soak the lint-free tissues or chamois-tipped swabs in a 50:50 solution of methanol/water, and then clean both sides of the ion sweep cone.
2. For 10 minutes, sonicate the component in either a 50:50 solution of methanol/water or a 1% solution of Liquinox in water.
3. Rinse the component thoroughly with water.
4. Sonicate the component in water for 10 minutes.
5. Sonicate the component in methanol for 10 minutes.
6. Rinse the component with methanol.
7. Dry the component with nitrogen gas to make sure that all the solvent evaporates.
8. Using a magnification device, inspect the component for any residual lint or particulates.

**Note** Inspect the inside surfaces and edges to confirm that no lint or particulates are present. Use plastic tweezers or a similar tool to remove the lint or particulate.

After you clean and reinstall the ion transfer tube, spray cone, and ion sweep cone, turn on the nonvacuum system voltages by placing the instrument's electronics service switch in the Electronics Normal (up) position. The service switch is located on the right side of the instrument.

**Tip** If you successfully unblocked the ion transfer tube, check that the Convectron gauge pressure has increased to a normal value (approximately 1 Torr). If trying this method does not clear the blockage, replace the ion transfer tube.

## Reinstalling the API Source Interface

**❖ To reinstall the API source interface**

1. Orient the API source interface as shown in [Figure 56 on page 84](#).
2. Carefully insert the API source interface into the vacuum manifold until it snaps into place.
3. Reinstall the API source housing.

For instructions, refer to Chapter 2, “Setting Up the API Source,” in the *LTQ Series Getting Started Guide*.

4. Start the system as described in “[Starting the System after a Complete Shutdown](#)” on [page 37](#).

## MP00 RF Lens Maintenance

Chemicals accumulating on the surfaces of multipole MP00 and lens L0 form an insulating layer that can modify the electrical fields controlling ion transmission. Clean ion guide components are essential to properly operate the instrument. How frequently you clean these components depends on the type and quantity of the compounds that you analyze.

To clean or replace the MP00 rf lens components, follow these procedures:

1. [Removing the MP00 RF Lens Assembly](#)
2. [Disassembling the MP00 RF Lens Assembly, on page 96](#)
3. [Cleaning the MP00 RF Lens Assembly Components, on page 97](#)
4. [Reassembling the MP00 RF Lens Assembly, on page 98](#)
5. [Reinstalling the MP00 RF Lens Assembly, on page 98](#)

For MP00 RF lens maintenance tasks, you need the following tools and supplies (see also [Table 7 on page 56](#)).

Tools	Supplies
5/32 in. hex ball driver	Chamois-tipped swabs
Phillips screwdriver	Detergent (for example, Liquinox)
Magnification device	Gloves, lint- and powder-free
Slotted screwdriver	Graduated cylinder (for use with methanol)
Sonicator	Lint-free industrial tissues
–	Methanol, LC/MS-grade
–	MICRO-MESH polishing swab, 6000 grit
–	Nitrogen gas
–	Water, LC/MS-grade and tap

### IMPORTANT

- Prepare a clean work surface by covering the area with lint-free paper.
- Put on a new pair of lint- and powder-free gloves before starting each of these removal, cleaning, and reinstallation procedures.



**CAUTION Hot surface.** At operating temperatures above 350 °C (662 °F), the probe and API source housing can severely burn you.

- Before removing the probe or API source housing, allow the part to cool to room temperature (approximately 20 minutes) before touching it.
- If the instrument connects to an LC system, leave the solvent flow from the LC pump on while the probe cools to room temperature.

## Removing the MP00 RF Lens Assembly

For field service use only	Part number
O-ring, Viton, 3.25 in. ID, 1/8 in. thick	00107-13000

### ❖ To remove the MP00 rf lens assembly

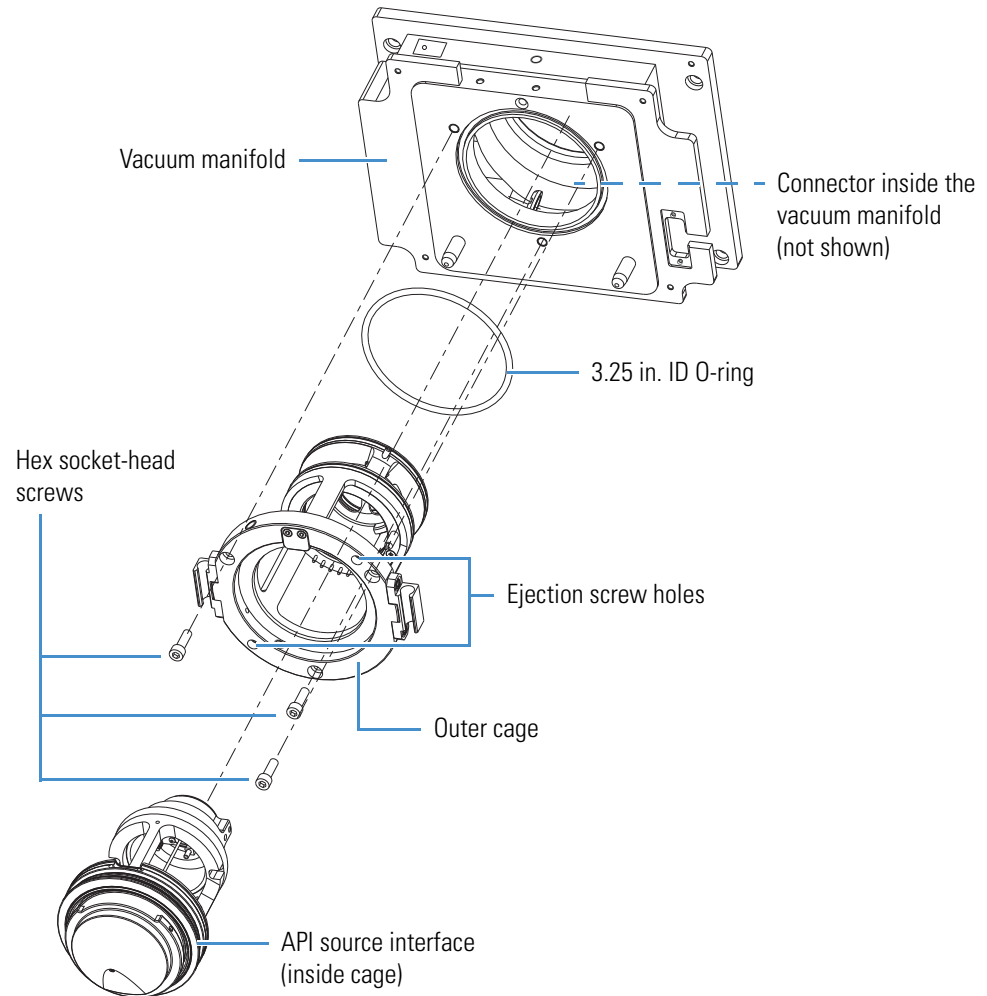


**CAUTION** To avoid an electrical shock, be sure to follow the instructions in “[Shutting Down the Mass Spectrometer Completely](#)” on [page 36](#) before continuing with this procedure.

1. Shut down and vent the system, and let it cool to room temperature.  
Venting the instrument can take several minutes.
2. Unplug the instrument’s power supply cord from the electrical outlet.
3. Remove the API source interface (see [page 80](#)).
4. Reach into the opening in the vacuum manifold (where the API source interface was) and disconnect the electrical connector to the MP00 rf lens assembly by pulling it toward the left.
5. Using the 5/32 in. hex ball driver, loosen the three hex socket-head screws that secure the API source interface to the vacuum manifold’s outer cage ([Figure 64](#)).



**Figure 64.** MP00 rf lens assembly removal



6. Using the 5/32 in. hex ball driver, install two of the removed hex socket-head screws into the two ejection screw holes (Figure 64) to loosen the outer cage from the vacuum manifold.
7. Carefully remove the MP00 rf lens assembly and place it on the clean, lint-free work surface.
8. Remove the two hex socket-head screws from the ejection screw holes.

## Disassembling the MP00 RF Lens Assembly

### ❖ To disassemble the MP00 rf lens assembly

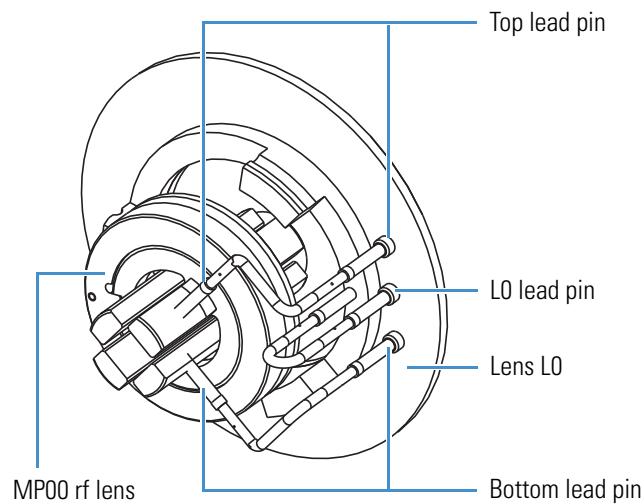


**CAUTION** Be careful not to bend or break the lead pins on the MP00 rf lens.

1. Carefully pull out the leads radially from the lead pins on the MP00 rf lens (Figure 65).

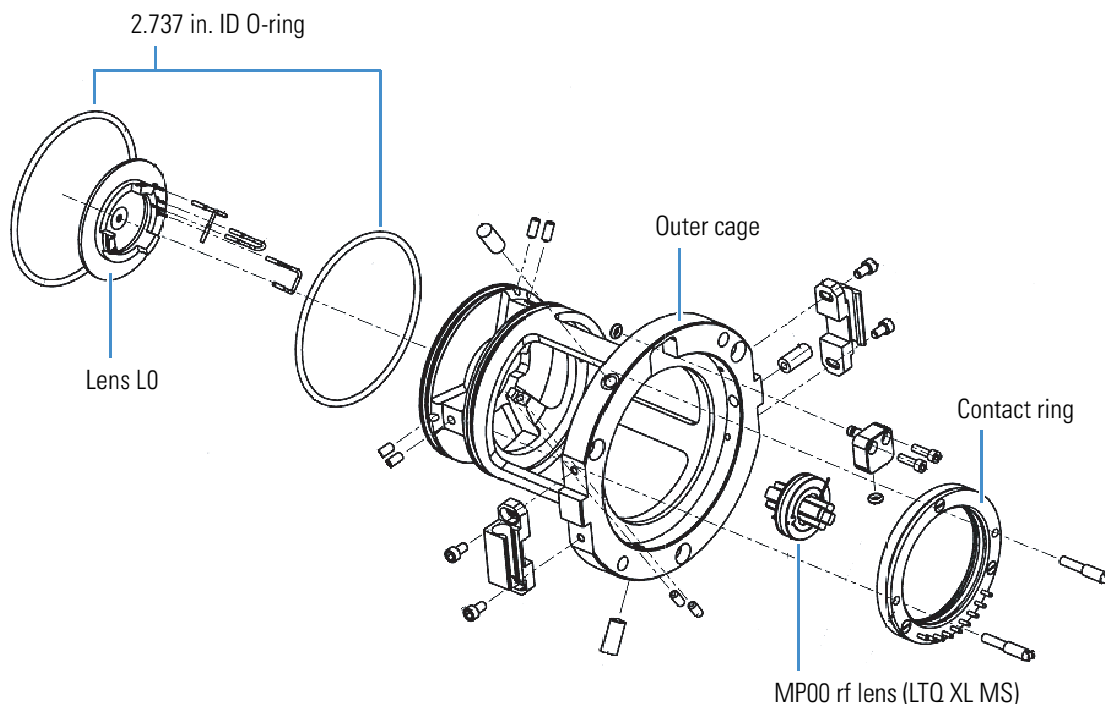
Figure 65 shows multipole MP00 and lens L0 removed from the outer cage.

**Figure 65.** MP00 and lens L0 wiring connections (LTQ XL MS)



2. Place your fingers between MP00 and L0, and then gently pull the MP00 rf lens forward and out of the outer cage (Figure 66). If necessary, first loosen the ball plungers by using the small slotted screwdriver.
3. Gently push lens L0 to the back of the outer cage (Figure 66). If necessary, first loosen the ball plungers by using the small slotted screwdriver.

**Figure 66.** MP00 rf lens assembly (LTQ XL MS)



## Cleaning the MP00 RF Lens Assembly Components

### ❖ To clean the MP00 rf lens and lens L0

**IMPORTANT** Always use LC/MS-grade methanol and LC/MS-grade water (see [Table 7](#) on [page 56](#)).

1. Using a magnification device, inspect the components for any lint, particulates, and sample buildup or coatings.
2. For 10 minutes, sonicate the components in either a 50:50 solution of methanol/water or a 1% solution of Liquinox in water.
3. Using the 6000 grit MICRO-MESH polishing swabs, clean the bore in each lens.
4. Rinse the components thoroughly with water.
5. Sonicate the components in water for 10 minutes.
6. Sonicate the components in methanol for 10 minutes.
7. Rinse the components with methanol.
8. Dry the components with nitrogen gas to make sure that all the solvent evaporates.

- Using a magnification device, inspect the components for any lint or particulates.

**Note** Inspect the orifices to confirm that no lint or particulates are present in the bore of the orifices. Use plastic tweezers or a similar tool to remove the lint or particulate.

## Reassembling the MP00 RF Lens Assembly

### ❖ To reassemble the MP00 rf lens assembly

**IMPORTANT** When reassembling the MP00 rf lens assembly, remember to tighten any ball plungers that you loosened.

- Insert the MP00 rf lens through the front of the outer cage to position it in the cage.
- Insert lens L0 through the back of the cage to position it.



**CAUTION** Be careful not to bend or break the lead pins on the MP00 rf lens. Otherwise, you must replace the MP00 rf lens.

- Carefully reconnect the leads to the lead pins on the MP00 rf lens and lens L0 as shown in [Figure 65](#) on [page 96](#).

## Reinstalling the MP00 RF Lens Assembly

For field service use only	Part number
O-ring, 2-148, Viton 884, 2.737 in. ID	00107-15542

### ❖ To reinstall the MP00 rf lens assembly into the vacuum manifold

- Make sure that the two O-rings are properly installed on the back of the outer cage ([Figure 66](#) on [page 97](#)).
- Orient the outer cage assembly ([Figure 66](#) on [page 97](#)).
- Make sure that you removed the two hex socket-head screws from the ejection screw holes ([Figure 66](#) on [page 97](#)).
- Carefully insert the outer cage assembly into the vacuum manifold.
- Using the 5/32 in. hex ball driver, tighten the three hex socket-head screws that secure the assembly to the vacuum manifold.

6. Reconnect the electrical connector inside the vacuum manifold ([Figure 64 on page 95](#)) as follows:
  - a. Using your fingers, align the connector's holes with the feedthrough, and then slowly push the connector into the feedthrough.
  - b. Route the connector wire below the outer cage, away from the path of the inner cage.
7. Reinstall the API source interface (see [page 92](#)).
8. Start up the system as described in [“Starting the System after a Complete Shutdown” on page 37](#).

## MP0 and MP1 Ion Guides Maintenance

Chemicals accumulating on the surfaces of the MP0 and MP1 ion guides form an insulating layer that can modify the electrical fields controlling ion transmission. Clean ion guide components are essential to properly operate the instrument. The cleaning frequency depends on the type and quantity of the compounds that you analyze.

To clean or replace the MP0 and MP1 ion guide components, follow these procedures:

1. [Removing the Top Cover of the Mass Spectrometer](#)
2. [Removing the Vacuum Manifold's Top Cover Plate, on page 102](#)
3. [Removing the MP0 and MP1 Ion Guides, on page 103](#)
4. [Cleaning the MP0 and MP1 Ion Guides, Lens L1, and the Split Gate Lens, on page 108](#)
5. [Reinstalling the MP0 and MP1 Ion Guides, on page 109](#)
6. [Reinstalling the Top Cover of the Mass Spectrometer, on page 114](#)

For MP0 and MP1 ion guide maintenance tasks, you need the following tools and supplies (see also [Table 7 on page 56](#)).

Tools	Supplies
1/4 in. hex driver	Chamois-tipped swabs
5/64 in. hex ball driver	Detergent (for example, Liquinox)
Magnification device	Gloves, lint- and powder-free
Phillips screwdriver	Graduated cylinder (for use with methanol)
Sonicator	Lint-free industrial tissues
(Optional) Tweezers, plastic (or similar tool)	Methanol, LC/MS-grade
–	Nitrogen gas
–	Water, LC/MS-grade and tap

### IMPORTANT

- Prepare a clean work surface by covering the area with lint-free paper.
- Put on a new pair of lint- and powder-free gloves before starting each of these removal, cleaning, and reinstallation procedures.



**CAUTION Hot surface.** At operating temperatures above 350 °C (662 °F), the probe and API source housing can severely burn you.

- Before removing the probe or API source housing, allow the part to cool to room temperature (approximately 20 minutes) before touching it.
- If the instrument connects to an LC system, leave the solvent flow from the LC pump on while the probe cools to room temperature.

## Removing the Top Cover of the Mass Spectrometer

### ❖ To remove the top cover of the instrument



**CAUTION** To avoid an electrical shock, be sure to follow the instructions in “[Shutting Down the Mass Spectrometer Completely](#)” on [page 36](#) before continuing with this procedure.

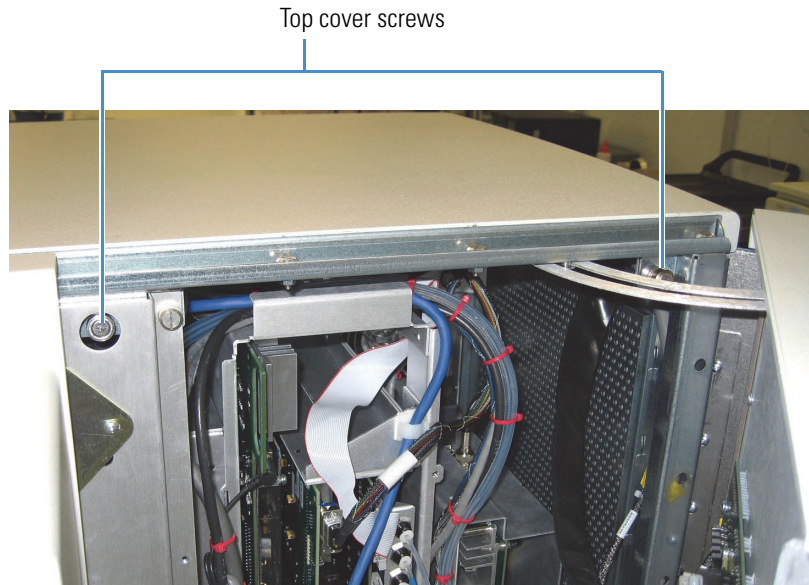
1. Shut down and vent the system, and let it cool to room temperature.  
Venting the instrument can take several minutes.
2. Unplug the instrument’s power supply cord from the electrical outlet.
3. Disconnect any tubing between the syringe pump or LC system and the API source.
4. Use the 1/4 in. hex driver to loosen the latch on the front door ([Figure 67](#)).

**Figure 67.** Front door latch



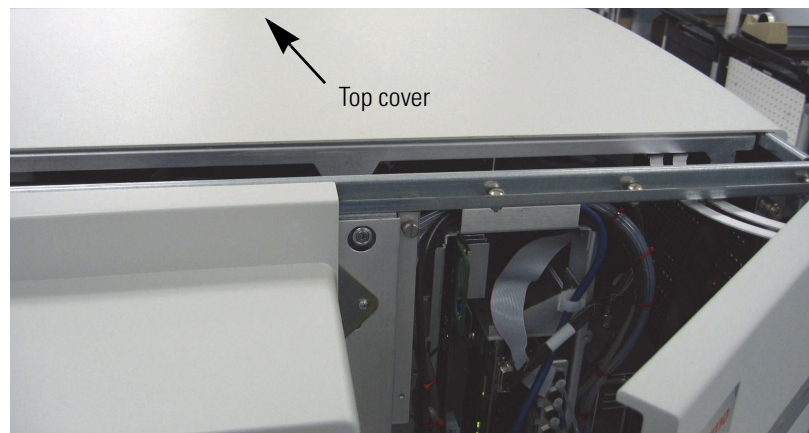
- Using the Phillips screwdriver, open the front door and loosen the two captive screws that secure the top cover ([Figure 68](#)).

**Figure 68.** Top cover screws



- Slide the top cover back and lift it off ([Figure 69](#)).

**Figure 69.** Top cover pushed back



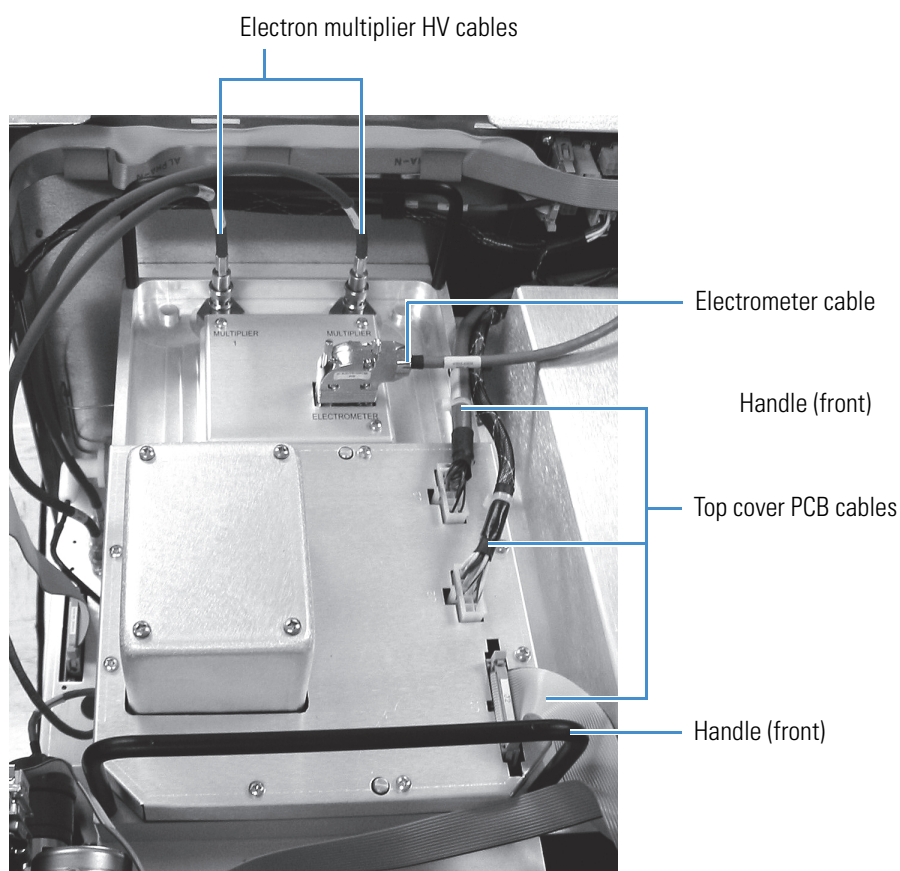
## Removing the Vacuum Manifold's Top Cover Plate

To access the MP0 and MP1 ion guides, mass analyzer, and ion detection system, remove the top cover plate of the vacuum manifold. The top cover is held in place by gravity and by the pressure differential between vacuum and atmosphere. Six cables connect to the vacuum manifold's top cover plate.

### ❖ To remove the vacuum manifold's top cover plate

1. Disconnect the two electron multiplier HV coaxial cables at the back of the plate (Figure 70).

**Figure 70.** Electrical connections to the top cover plate of the vacuum manifold



2. Use a small slotted screwdriver to loosen the screws that secure the electrometer cable, and then disconnect the cable.
3. Disconnect the three cables connected to the top cover PCB.



- Carefully lift up the top cover plate by its two handles, and place it upside down (supported on its handles) on the clean, lint-free work surface.



**CAUTION** Do not pull the cover too hard. Instead, rock it back and forth to loosen it. Lift it straight up and not at an angle to avoid damaging the bottom ion optics.

Be careful not to damage the components on the bottom side of the cover plate.

- Cover the opening in the top of the vacuum manifold with a large, lint-free tissue.

## Removing the MP0 and MP1 Ion Guides

### ❖ To remove the MP0 and MP1 ion guides from the top cover plate



**CAUTION** Be careful not to bend or break the lead pins on multipoles MP0 and MP1.

- Disconnect the electrical leads to multipoles MP0 and MP1, lens L1, and the split gate lens (Figure 71 on page 104 through Figure 74 on page 107).
- Remove the MP1 ion guide as follows:
  - Hold multipole MP1 and the split gate lens with one hand, and with the other hand loosen and remove the two thumbscrews that secure the MP1 support bracket to the top cover plate.

**Tip** If the thumbscrews are too tight, insert a small hex driver into the thumbscrew holes to loosen them.
  - Slide the MP1 support bracket away from MP1 until it disengages from MP1.
  - Remove multipole MP1 and the split gate lens and place them on the clean, lint-free work surface.
- Remove the MP0 ion guide as follows:
  - Hold multipole MP0 and the lens L1 with one hand, and with the other hand loosen and remove the two thumbscrews that secure the MP0 support bracket to the top cover plate.

**Tip** If the thumbscrews are too tight, insert a small hex driver into the thumbscrew holes to loosen them.

## 5 Maintenance

### MP0 and MP1 Ion Guides Maintenance

- b. Depending on the instrument, do one of the following:
- (For the Velos Pro MS) Slide both MP0 and the MP0 support bracket away from lens L1 until it disengages from L1.
- or–
- (For the LTQ XL and LXQ MSs) Slide and lift the MP0 support bracket away from multipole MP0 until it disengages from MP0.
- c. Remove MP0 and lens L1 and place them on the work surface.

**Figure 71.** MP0 and MP1 ion guides for the Velos Pro MS (exploded view)

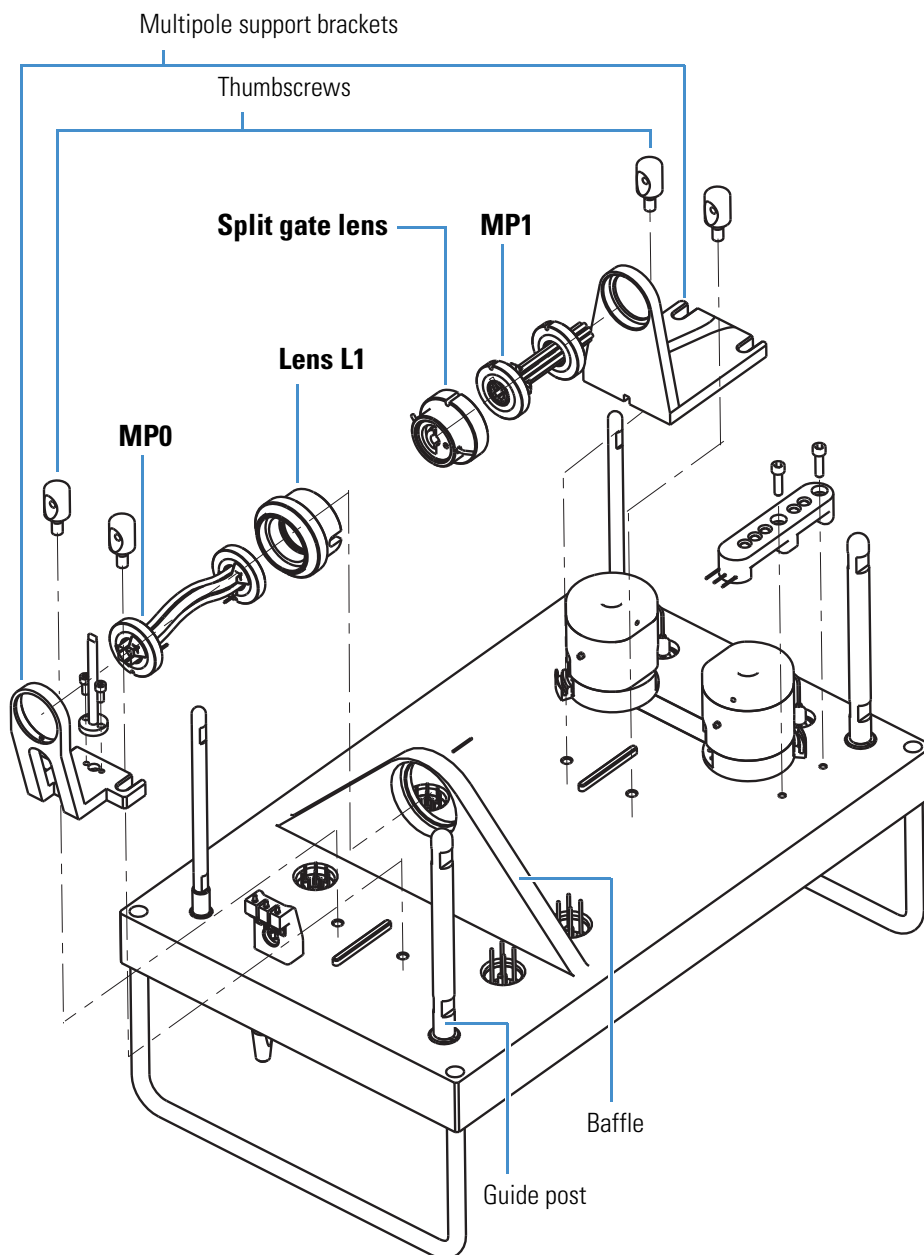
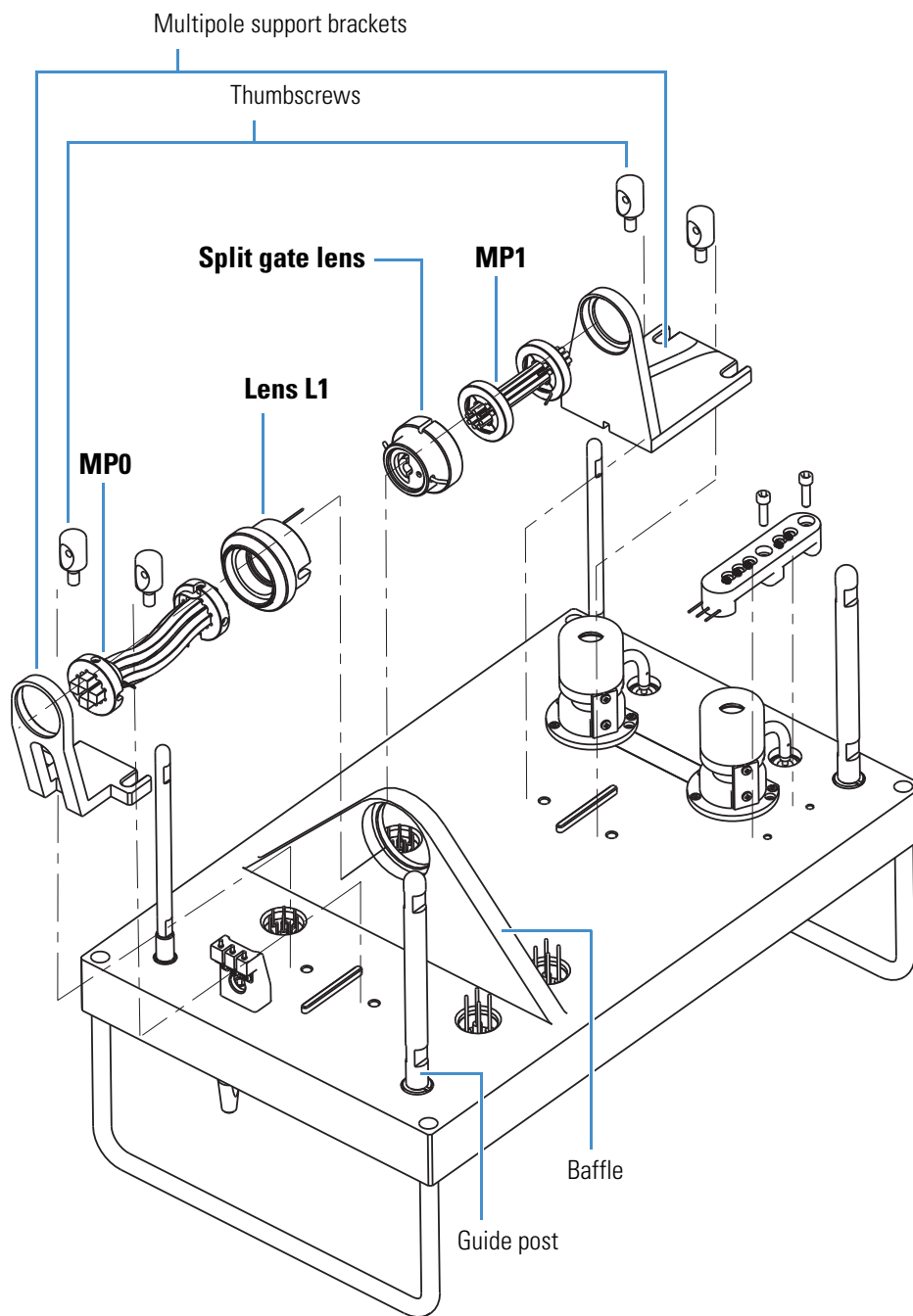


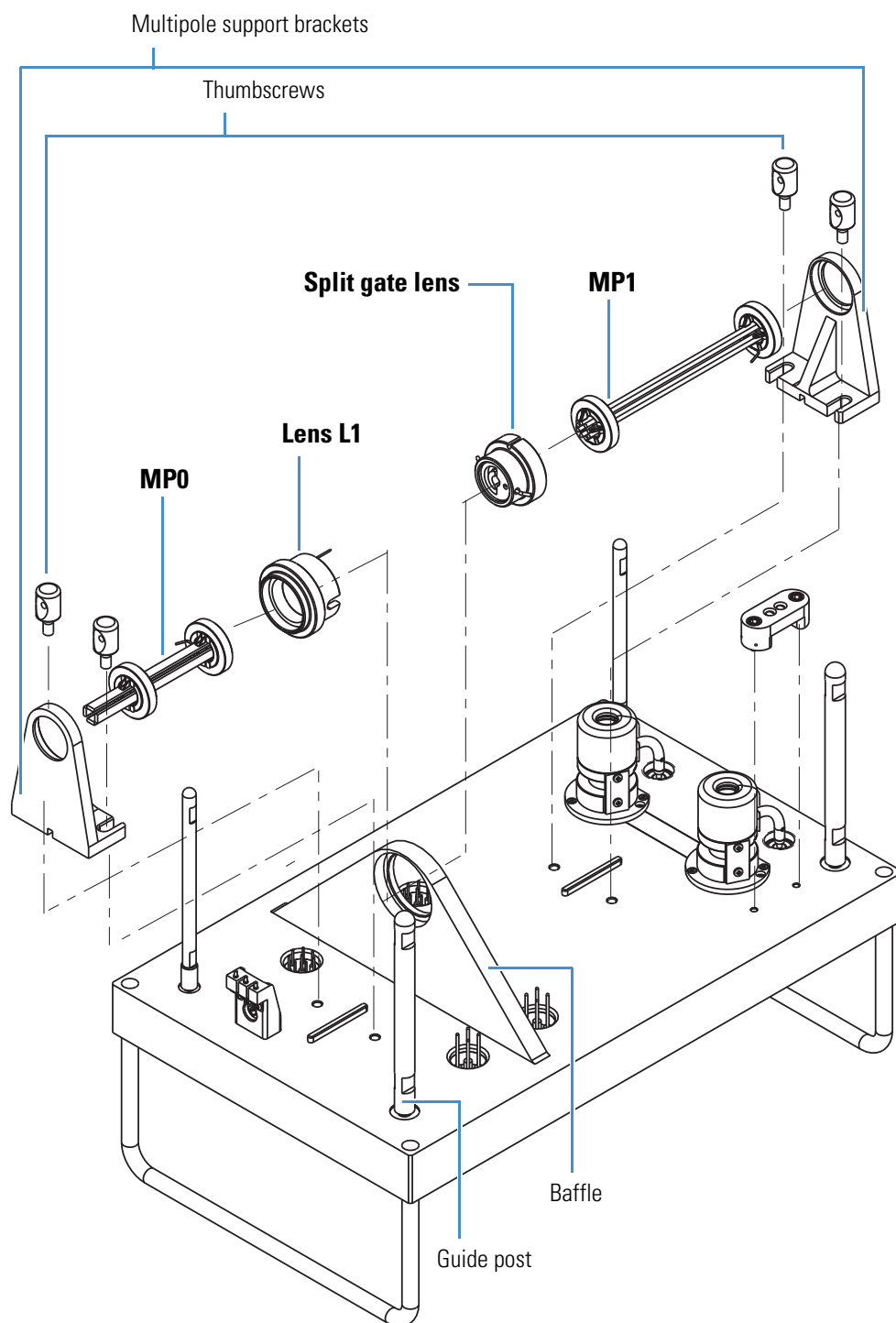
Figure 72. MP0 and MP1 ion guides for the LTQ Velos MS (exploded view)



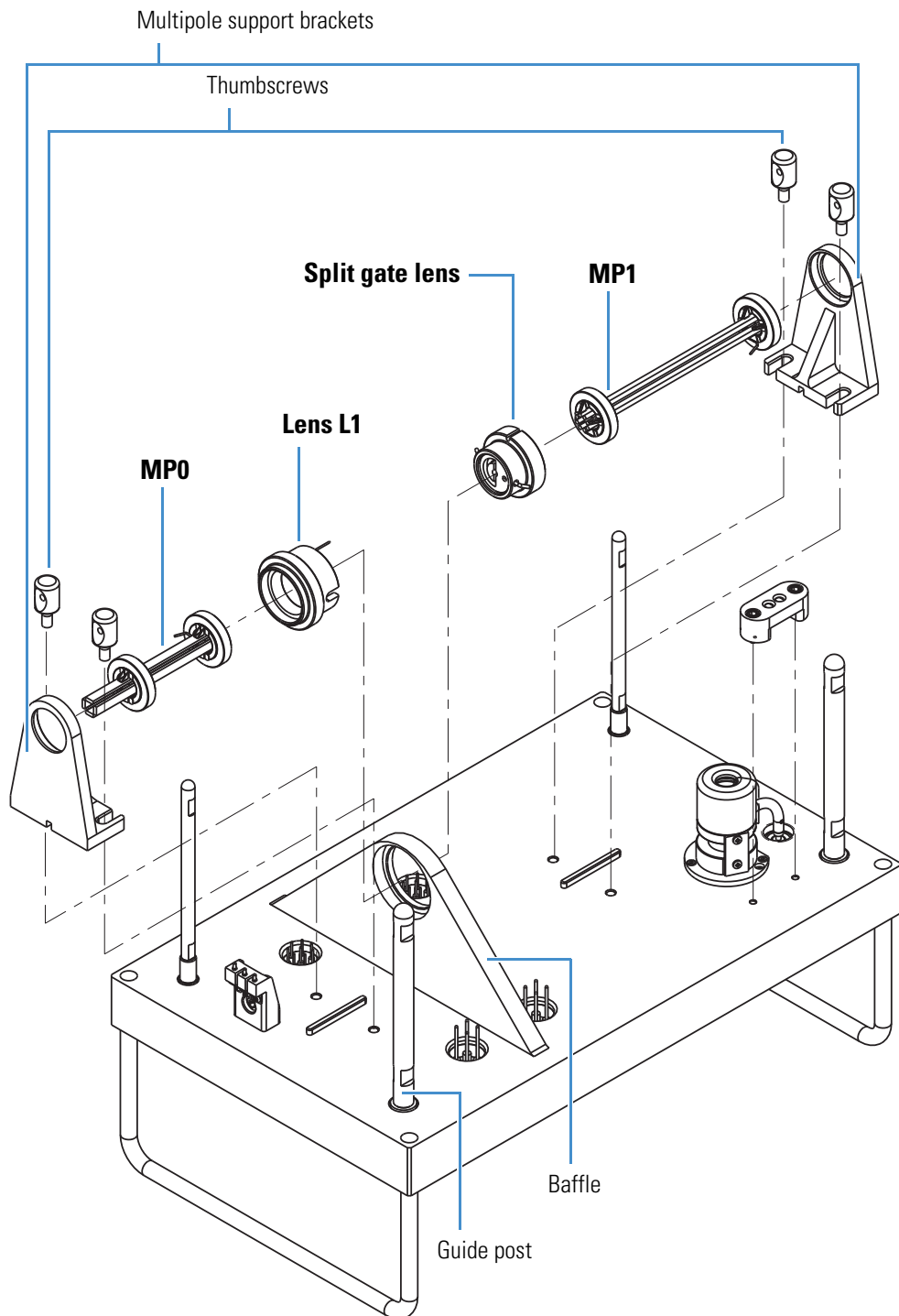
## 5 Maintenance

### MP0 and MP1 Ion Guides Maintenance

**Figure 73.** MP0 and MP1 ion guides for the LTQ XL MS (exploded view)



**Figure 74.** MP0 and MP1 ion guides for the LXQ MS (exploded view)



## Cleaning the MP0 and MP1 Ion Guides, Lens L1, and the Split Gate Lens



**CAUTION** Do not drop or bump multipoles MP0 and MP1 against any surface.

❖ **To clean the MP0 and MP1 ion guides**

**IMPORTANT** Always use LC/MS-grade methanol and LC/MS-grade water (see [Table 7 on page 56](#)).

1. Using a magnification device, inspect the components for any lint, particulates, and sample buildup or coatings.
2. Sonicate the components in a 1% solution of Liquinox in water for 10 minutes.
3. Soak chamois-tipped swabs in a 1% solution of Liquinox in water, and then clean the components.
4. Rinse the components thoroughly with water.
5. Sonicate the components in water for 10 minutes.
6. Sonicate the components in methanol for 10 minutes.
7. Soak chamois-tipped swabs in methanol, and then clean the components.
8. Rinse the components with methanol.
9. Dry the components with nitrogen gas to make sure that all the solvent evaporates.
10. Using a magnification device, inspect the components for any residual lint or particulates.

**Note** Inspect the inside surfaces and edges to confirm that no lint or particulates are present. Use plastic tweezers or a similar tool to remove the lint or particulate.

❖ **To clean lens L1 and the split gate lens**

**IMPORTANT** Always use LC/MS-grade methanol and LC/MS-grade water (see Table 7 on page 56).

1. Using a magnification device, inspect the components for any lint, particulates, and sample buildup or coatings.

**Note** After use, the surfaces can be discolored, which is normal and not to be confused with sample buildup or coatings.

2. Soak the lint-free tissues or chamois-tipped swabs in a 50:50 solution of methanol/water, and then clean the components.
3. Sonicate the components in methanol for 10 minutes.

**Note** If using buffers or salt solutions in the mass spectrometer, you might need to use an aqueous solution for cleaning. If using an aqueous solution, flush the items with LC/MS-grade water and then with LC/MS-grade methanol.

4. Dry the components with nitrogen gas to make sure that all the solvent evaporates.
5. Using a magnification device, inspect the components for any residual lint or particulates.

**Note** Inspect the inside surfaces and edges to confirm that no lint or particulates are present. Use plastic tweezers or a similar tool to remove the lint or particulate.

## Reinstalling the MP0 and MP1 Ion Guides

❖ **To reinstall the MP0 and MP1 ion guides**



**CAUTION** Be aware of the following:

- Be careful not to bend or break the lead pins on multipoles MP0 and MP1.
- If multipole MP0 is not positioned correctly, it could be too far forward and touch the vacuum manifold.

1. Reinstall the MP0 ion guide as follows:
  - a. Insert lens L1 into the opening in the baffle (Figure 71 on page 104 through Figure 74 on page 107).
  - b. For the Velos Pro MS, do the following:
    - i. With one hand, hold multipole MP0 against lens L1 and press L1 against the opening in the baffle. Make sure the contact pin is up and away from the top cover plate.
    - ii. With the other hand, hold multipole MP0 against the MP0 support bracket, and then slide them back together until they are fully positioned in lens L1.

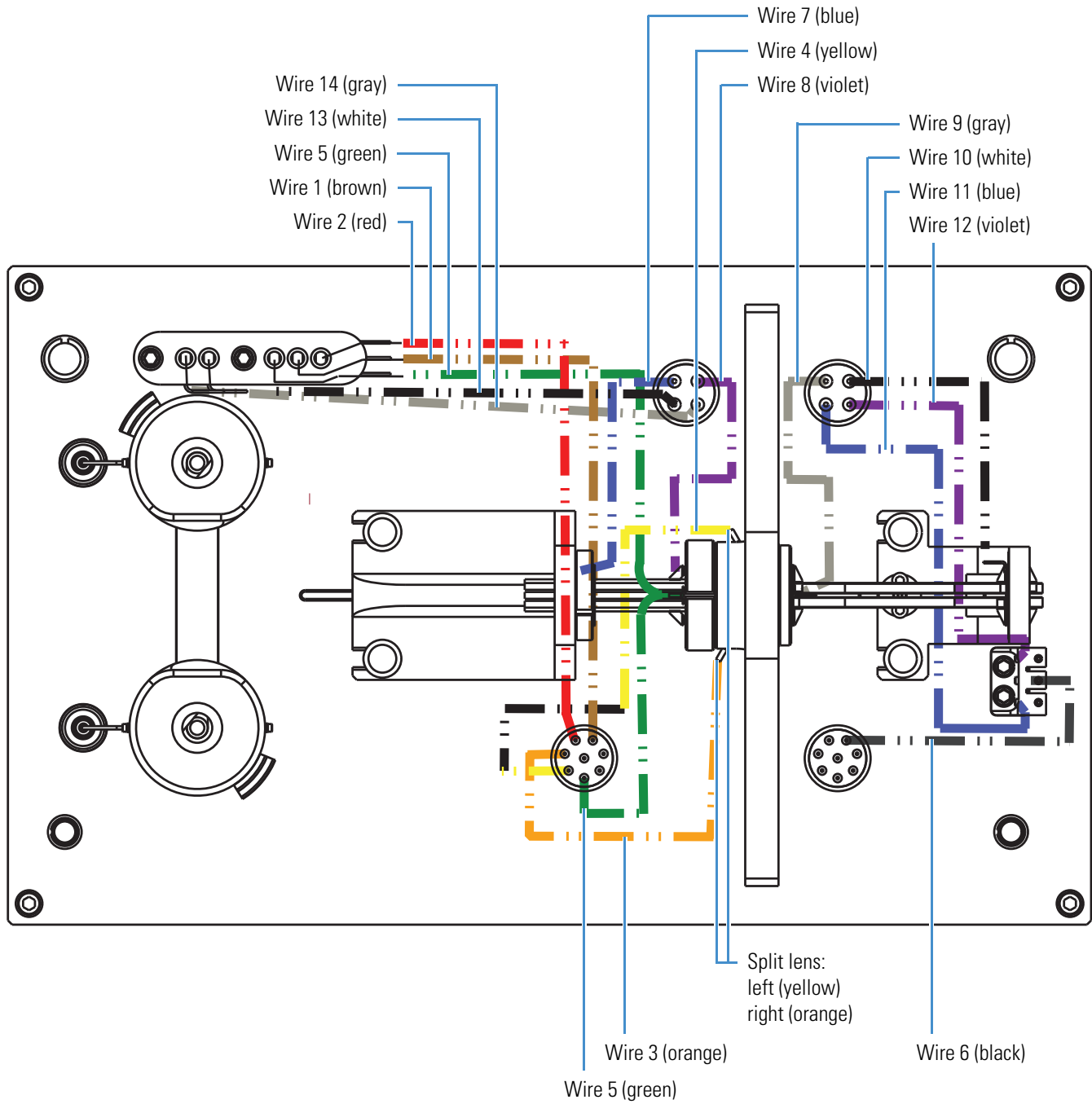
## 5 Maintenance

### MP0 and MP1 Ion Guides Maintenance

- c. For the LTQ XL and LXQ MSs, do the following:
    - i. With one hand, hold multipole MP0 against lens L1 and press L1 against the opening in the baffle. Make sure the contact pin is up and away from the top cover plate.
    - ii. With the other hand, install the MP0 support bracket at the other end of multipole MP0 by lowering and sliding it back toward MP0.
  - d. Tighten the two thumbscrews that secure the MP0 support bracket to the top cover plate.
2. Reinstall the MP1 ion guide as follows:
    - a. Insert the split gate lens into the opening in lens L1 (Figure 71 on page 104 through Figure 74 on page 107), and make sure that the leads' pins are horizontal.
    - b. With one hand, hold multipole MP1 against the split gate lens, and with the other hand install the MP1 support bracket at the other end of MP1 by sliding it toward MP1.
    - c. Tighten the two thumbscrews that secure the MP1 support bracket to the top cover plate.
  3. Reconnect the electrical leads to multipoles MP0 and MP1, lens L1, and the split gate lens according to the wiring diagram (Figure 75 on page 111 through Figure 77 on page 113, as applicable).
  4. Check all leads to ensure that they are secure and attached to the correct electrodes (Figure 75 on page 111 through Figure 77 on page 113, as applicable).



**Figure 75.** Velos Pro MS wiring diagram for the MP0 and MP1 ion guides



## 5 Maintenance

### MP0 and MP1 Ion Guides Maintenance

**Figure 76.** LTQ XL MS wiring diagram for the MP0 and MP1 ion guides

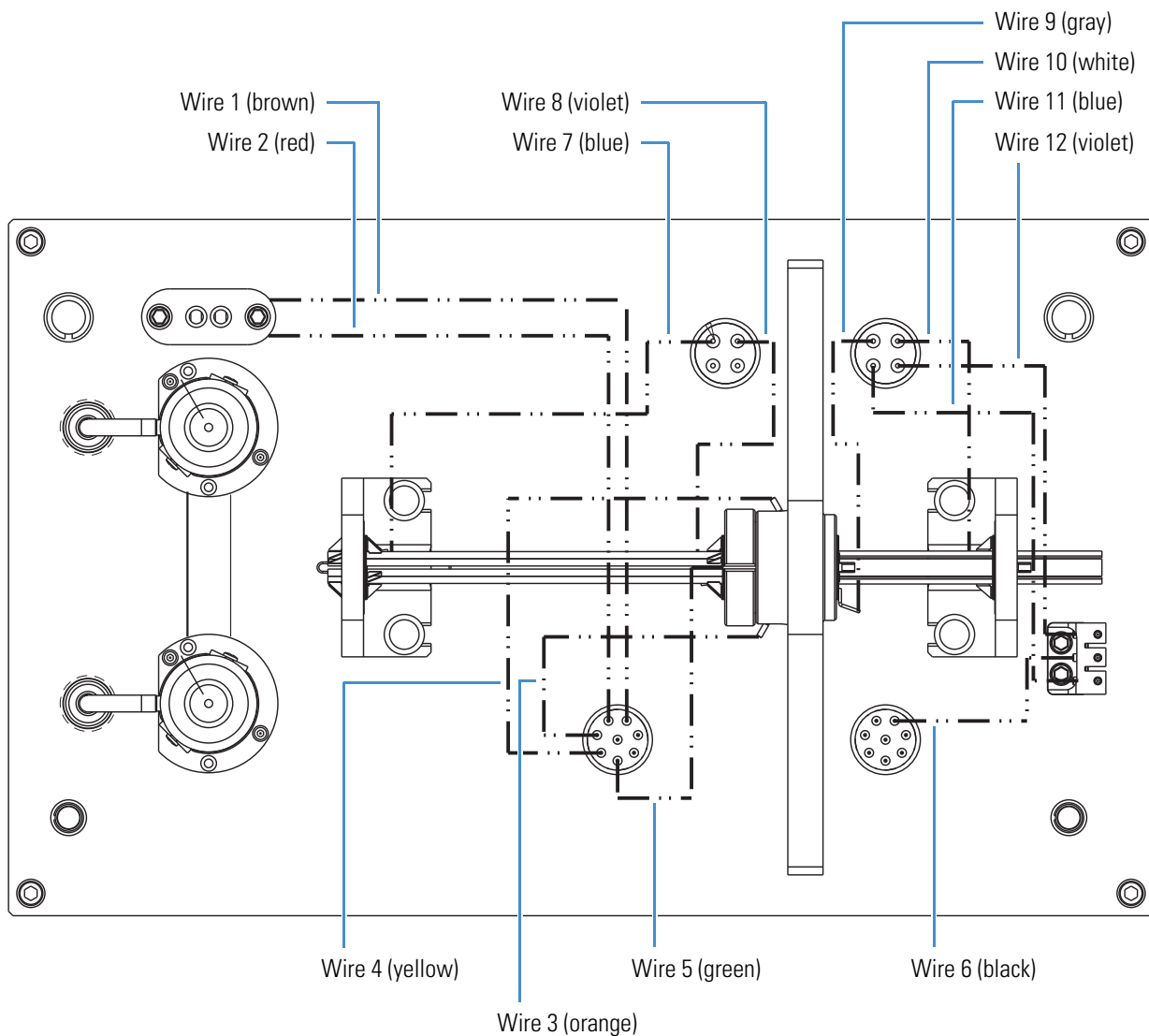
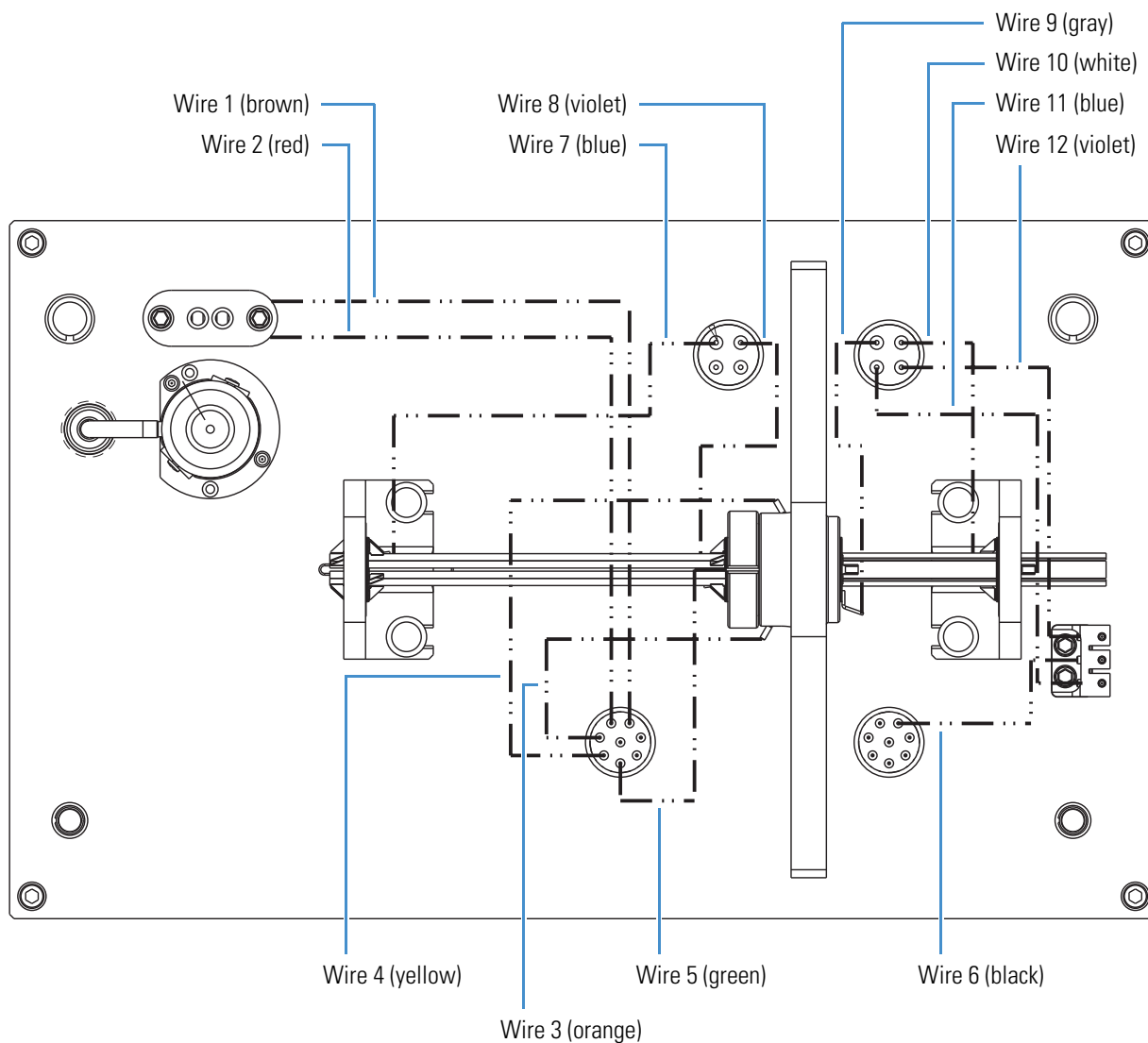


Figure 77. LXQ MS wiring diagram for the MP0 and MP1 ion guides



## Reinstalling the Vacuum Manifold's Top Cover

For field service use only	Part number
Split chamber O-ring, 12.33 × 6.65 × 3.21 in. ( <i>l × w × h</i> )	97055-40005

### ❖ To reinstall the vacuum manifold's top cover

1. Remove and discard the tissue from the vacuum manifold's top opening.
2. Check the vacuum manifold's split chamber O-ring for signs of wear, and replace it if necessary. Ensure that the O-ring is positioned properly.
3. Carefully lift the top cover plate up by its two handles and turn it over.
4. Orient the top cover plate so that the one or two electron multipliers, as applicable, are over the conversion dynodes.
5. Carefully insert the four guide posts on the bottom of the top cover plate into the holes in the vacuum manifold.
6. Hold the top cover plate parallel to the opening in the vacuum manifold and carefully lower it onto the opening in the vacuum manifold.



**CAUTION** Do not damage the O-ring or the components on the bottom of the top cover plate.

7. Reconnect the following:
  - Three cables to the top cover PCB ([Figure 70](#) on [page 102](#))
  - One or two electron multiplier HV coaxial cables, as applicable
  - One electrometer cable

## Reinstalling the Top Cover of the Mass Spectrometer

### ❖ To reinstall the top cover of the instrument

1. Using the 1/4 in. hex driver on the door latch, open the front door of the instrument ([Figure 68](#) on [page 101](#)).
2. Place the top cover on the instrument and slide it forward until it is flush with the front panel.
3. Using the Phillips screwdriver, tighten the two captive screws to secure the top cover.
4. Close the front door of instrument and use the 1/4 in. hex driver to tighten the latch.
5. Reconnect any tubing between the syringe pump, LC pump, or LC and the API source to accommodate your instrument configuration.

## Electron Multiplier Replacement

Electron multipliers have finite lifetimes, and their surfaces degrade over time, causing more voltage to be required to achieve the specified gain. Factors contributing to a decrease in the lifetime are: air exposure (causes oxidation), electron flow (produces internal heat), heat, poor vacuum conditions, and water (causes arcing).

You might need to replace one or both of the electron multipliers, as applicable, if either of these symptoms persists:

- Excessive noise in the mass spectrum produced by the electron multiplier
- Inability of the multiplier gain calibration procedure to achieve a gain of  $4 \times 10^5$  electrons per ion with the maximum voltage supplied by the multiplier power supply

You can read the current value of the electron multiplier voltage in the Ion Detection System dialog box. In the Tune Plus window, choose **Setup > Ion Detection System**.

**Note** The LXQ MS has only one electron multiplier. Adjust the following procedure accordingly.

For field service use only	Part number
Electron multiplier, anode, and base shield	See <a href="#">page 135</a> .
Electron multiplier shield retainer (Velos Pro MS only)	97655-20003

### ❖ To remove the electron multiplier assembly



**CAUTION** To avoid an electrical shock, be sure to follow the instructions in “[Shutting Down the Mass Spectrometer Completely](#)” on [page 36](#) before continuing with this procedure.

1. Shut down and vent the system, and let it cool to room temperature.  
Venting the instrument can take several minutes.
2. Unplug the instrument’s power supply cord from the electrical outlet.
3. Remove the top cover of the instrument (see [page 100](#)).
4. Remove the vacuum manifold’s top cover plate (see [page 102](#)).
5. Put on a new pair of lint- and powder-free gloves.

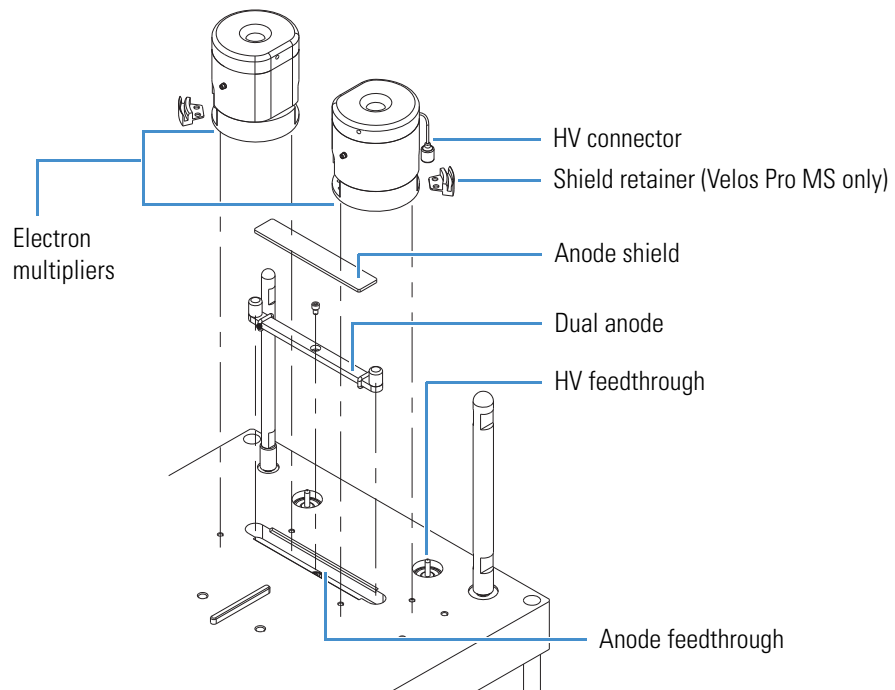
- Using the 5/64 in. hex driver, remove the two hex socket-head screws that secure each of the electron multipliers to the top cover plate (Figure 79).

**Note** For the Velos Pro MS, the assembly includes a small plastic retainer that becomes free after removing the electron multiplier's screws (Figure 78). Set it aside with the screws.

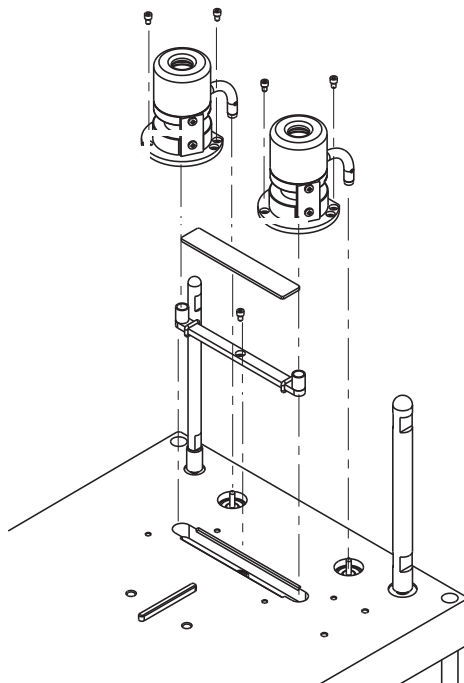
- Detach the HV connectors from the HV feedthrough to remove the electron multiplier assemblies.

The anode remains in the anode feedthrough in the top cover plate.

**Figure 78.** Electron multipliers and shield retainers (Velos Pro MS)



**Figure 79.** Electron multipliers and dual anode (LTQ XL MS)



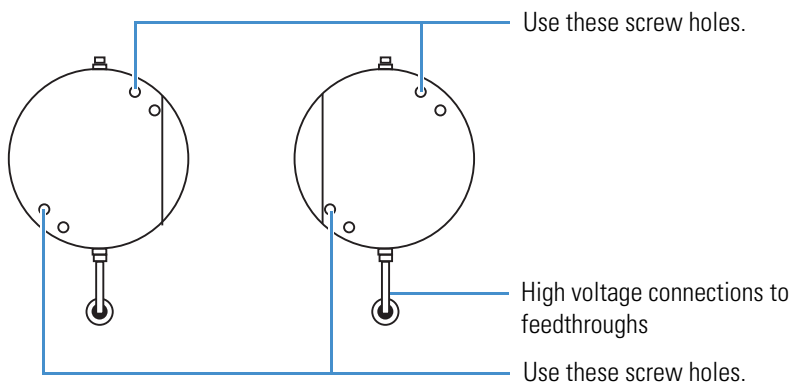
❖ **To assemble the new electron multipliers**



**CAUTION** Be careful not to damage the surface of the electron multiplier shield (inside surface). This shield has been electropolished to prevent field emission.

1. Place the new electron multipliers on the work surface with the flat sides facing each other (Figure 80).

**Figure 80.** Placement of screws for the left and right electron multipliers (top view)

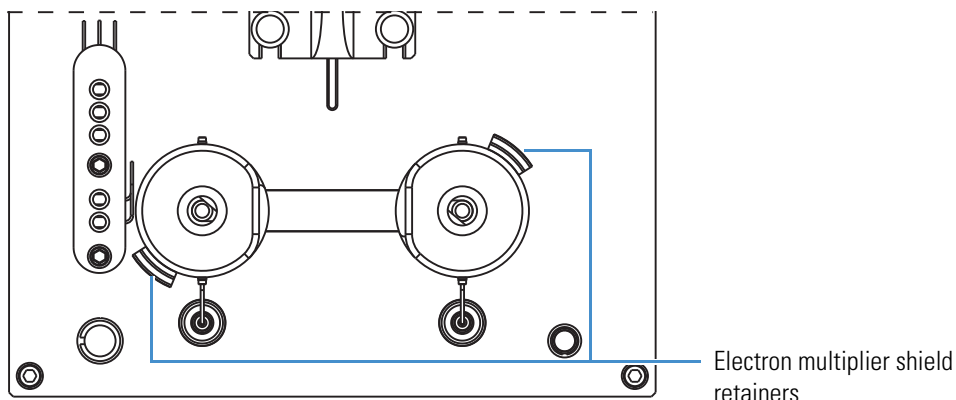


2. For each multiplier, attach the HV cable to the HV connector that faces you.  
The other HV connector is not used.

❖ **To replace the electron multiplier assembly**

1. Place the new electron multipliers on the top cover so that the flat sides, if provided, face each other.
2. Insert the HV connectors into the HV feedthroughs ([Figure 80](#) on [page 117](#)).

**Figure 81.** Placement of the electron multipliers and shield retainers on the top cover plate



3. (Velos Pro MS only) Place a multiplier shield retainer on the base of each multiplier as shown in [Figure 81](#).
  - For the left multiplier, place the shield retainer over the left-side screw holes.
  - For the right multiplier, place the shield retainer over the right-side screw holes.
4. Using the 5/64 in. hex driver, secure each electron multiplier assembly to the top cover plate with the hex socket-head screws and flat washers, if provided. Use the screw hole location specified in [Figure 80](#).

Ensure that the shield retainers remain tightly positioned against the multipliers' bases.
5. Remove the tissue that is over the vacuum manifold opening.
6. Reinstall the top cover plate over the vacuum manifold opening (see [page 114](#)).
7. Reinstall the top cover of the instrument.
8. Start up the system as described in “[Starting the System after a Complete Shutdown](#)” on [page 37](#).

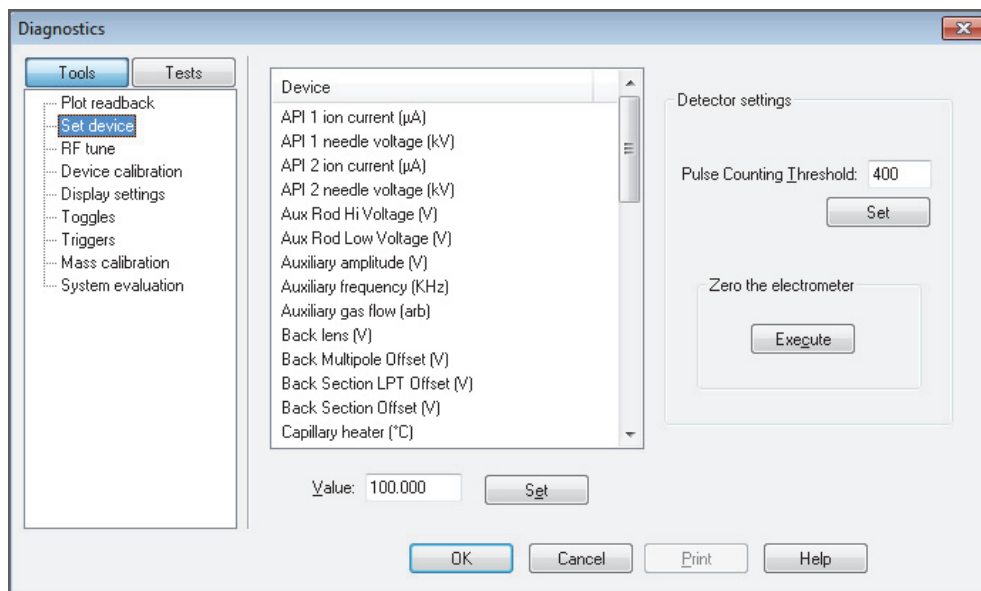
After replacing the electron multipliers, reset and save the initial voltage settings to the appropriate values for new multipliers, and then calibrate the electron multipliers' voltages.



❖ **To set the electron multiplier gain voltages**

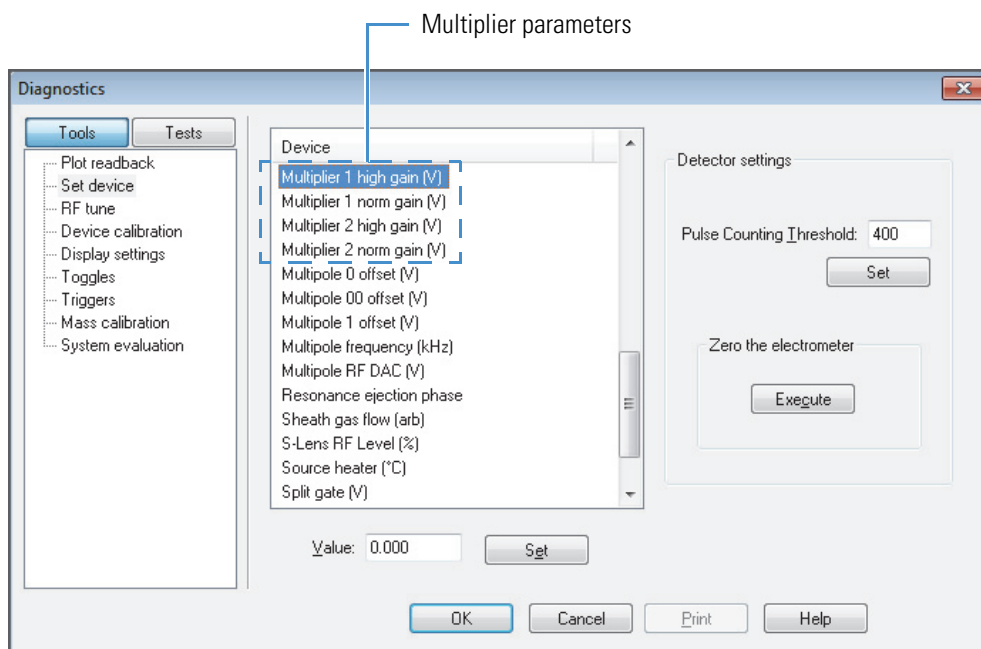
1. Open the Tune Plus window (see [page 34](#)).
2. Choose **Diagnostics > Diagnostics** to open the Diagnostics dialog box ([Figure 82](#)).
3. In the Tools list, select **Set Device**.

**Figure 82.** Diagnostics dialog box showing the Set Device list



4. Scroll down the Device list to display the electron multiplier gain voltages ([Figure 83](#)).

**Figure 83.** Diagnostics dialog box showing the electron multiplier voltage parameters



5. For positive ion polarity mode, do the following:
  - a. Select the first multiplier device name.
  - b. In the Value box, type the instrument's device value listed in [Table 9](#).

**Table 9.** Electron multiplier device settings for positive ion polarity mode

Device name	Device value		
	Velos Pro MS	LTQ XL MS	LXQ MS
Multiplier 1 high gain (V)	-1200	-900	-800
Multiplier 1 normal gain (V)	-1300	-800	-800
Multiplier 2 high gain (V)	-1200	-900	-800
Multiplier 2 normal gain (V)	-1300	-800	-800

- c. Click **Set**.
  - d. Repeat [step 5a](#) through [step 5c](#) to set the remaining multiplier devices.
6. For negative ion polarity mode, do the following:

- a. Select the first multiplier device name.
  - b. In the Value box, type the instrument's device value listed in [Table 10](#).

**Table 10.** Electron multiplier device settings for negative ion polarity mode

Device name	Device value		
	Velos Pro MS	LTQ XL MS	LXQ MS
Multiplier 1 high gain (V)	-1300	-1000	-900
Multiplier 1 normal gain (V)	-1400	-900	-900
Multiplier 2 high gain (V)	-1300	-1000	-900
Multiplier 2 normal gain (V)	-1400	-900	-900

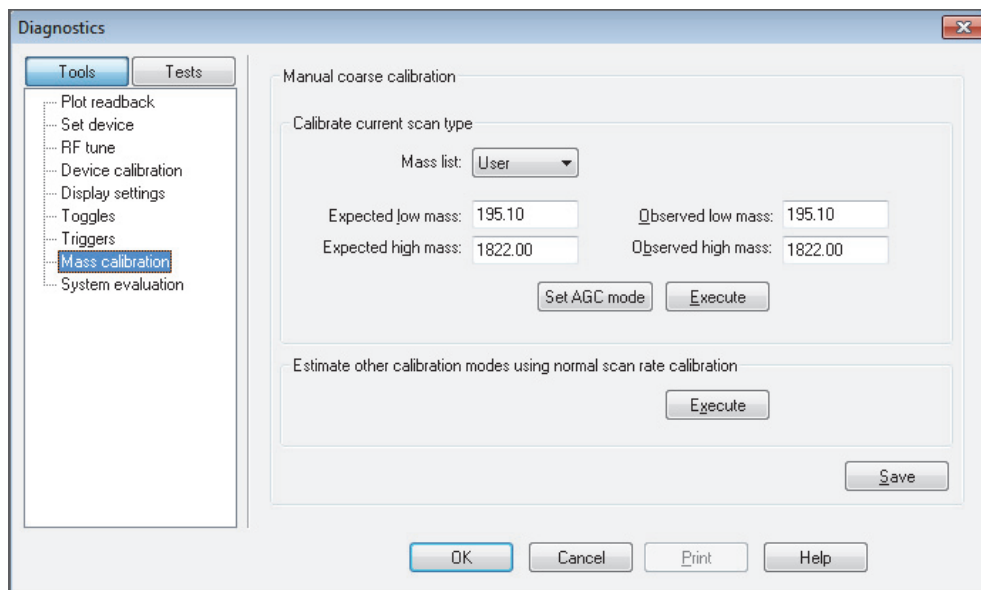
- c. Click **Set**.
  - d. Repeat [step 6a](#) through [step 6c](#) to set the remaining multiplier devices.

**IMPORTANT** Follow the next procedure to save the multiplier settings or they are lost if you reset the system.

❖ **To save the electron multiplier voltage settings**

1. In the Tools list, choose **Mass Calibration** to open the Mass Calibration page (Figure 84).

**Figure 84.** Diagnostics dialog box showing the Mass Calibration page



2. Click **Save**, and then click **OK**.

To complete the process of changing the electron multipliers, calibrate the electron multiplier voltage, as described in the next procedure.

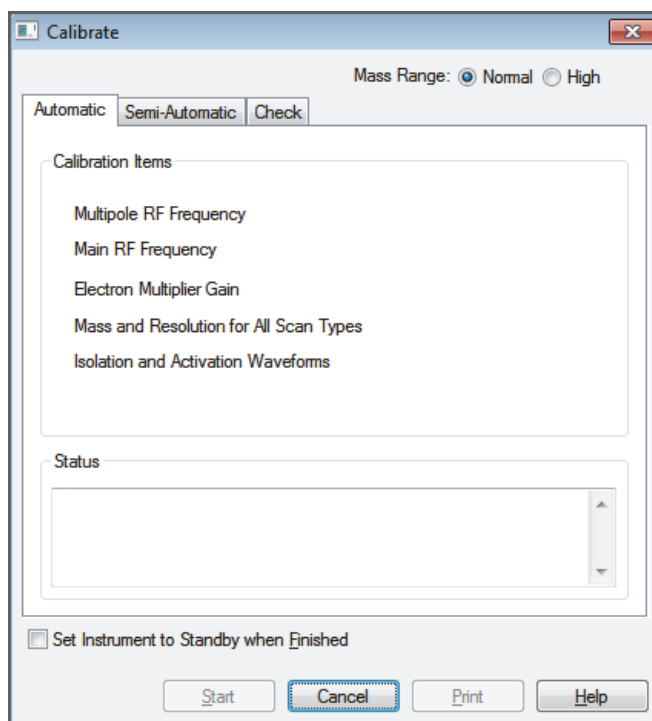
❖ **To calibrate the electron multiplier voltages**

1. Allow the system to pump down for at least 2 hours before turning on the high voltages. (Thermo Fisher Scientific Product Support recommends 15 hours or more.)
2. Set up for infusing the tuning solution into the instrument as described in the *LTQ Series Getting Started Guide*.



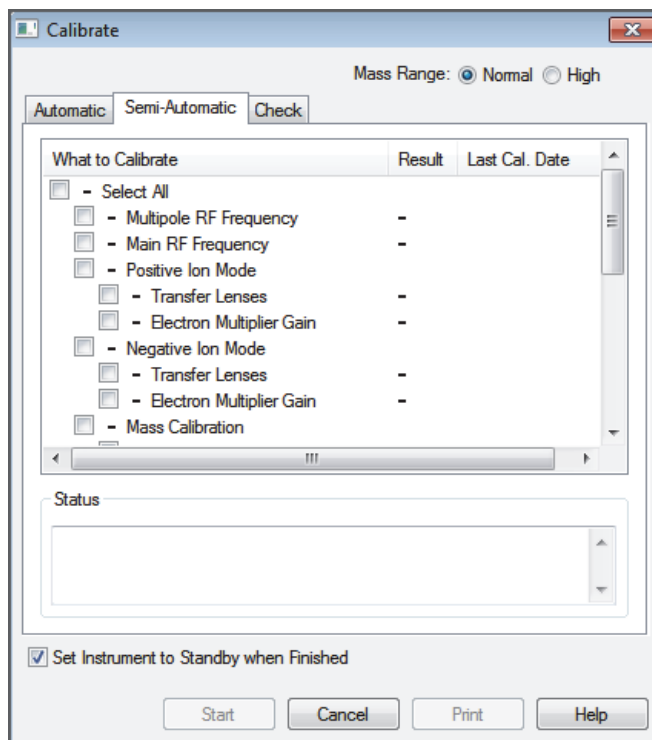
3. In the Tune Plus window, click the **Calibrate** button to open the Calibrate dialog box (Figure 85).

**Figure 85.** Calibrate dialog box showing the Automatic page

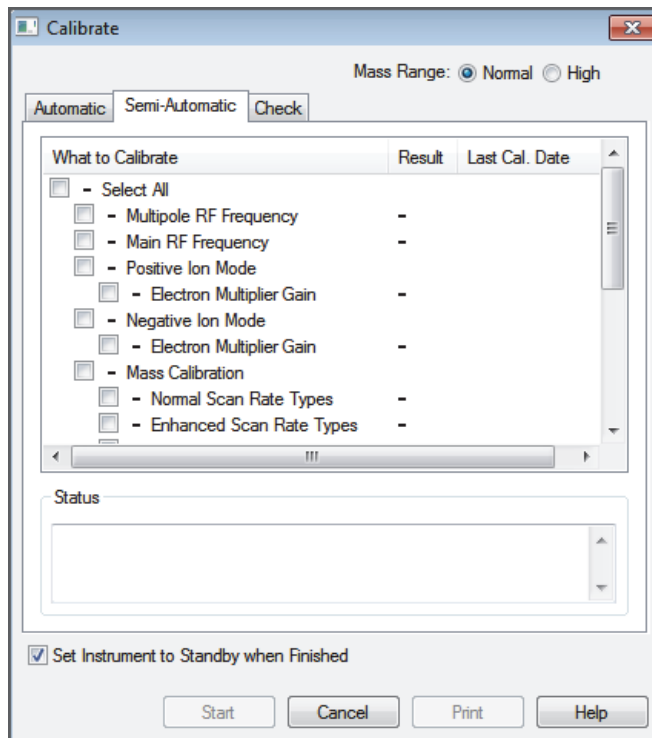


4. Click the **Semi-Automatic** tab (Figure 86 for the Velos Pro MS or Figure 87 for the LTQ XL and LXQ MSs).

**Figure 86.** Semi-Automatic page in the Calibrate dialog box (Velos Pro MS)



**Figure 87.** Semi-Automatic page in the Calibrate dialog box (LTQ XL and LXQ MSs)



5. Under both Positive Ion Mode and Negative Ion Mode, select **Electron Multiplier Gain**.
6. (Optional) Select the **Set Instrument to Standby when Finished** check box.
7. Click **Start**.
8. After the electron multiplier gain calibrations are complete, set up the instrument for operation as described in the *LTQ Series Getting Started Guide*.

## Forepump Maintenance

Maintaining a forepump requires inspecting, adding, purging, and changing the pump oil.

Check the forepump oil often. It is a translucent light amber color. During normal operation, oil must always be visible in the oil level sight glass between the MIN and MAX marks. If the oil level is below the MIN mark, add oil. If the oil is cloudy or discolored, purge the oil to decontaminate dissolved solvents. If the pump oil is still discolored, change it. Plan to change the pump oil every 3000 hours (or about every 4 months) of operation.

Refer to the manufacturer's documentation for procedures to purge, add, and change the forepump oil.



**CAUTION** To minimize the risk of oil contamination in the vacuum system, make sure that the purging ballast is closed when venting the system to atmosphere.

For field service use only	Part number
Forepump oil, 1 L See the MSDS cautionary statement on <a href="#">page 56</a> .	00301-15101

## Fan Filter Maintenance

Clean the fan filter every 4 months, or sooner if it is dirty. The fan filter is located on the back of the instrument on the left side (when facing the back).

❖ **To clean the fan filters**

1. Remove the fan filter by pulling it up and out of the fan filter bracket.
2. Wash the filter in a solution of soap and water.
3. Rinse the filter with tap water.
4. Squeeze the water from the filter and allow it to air dry.
5. Reinstall the filter in the bracket.

## Diagnostics

There are two diagnostic categories—tests and tools. Use the diagnostic tests to check the functionality of the electrical subsystems and the PCBs. Use the diagnostic tools, specifically the system evaluation tools, to look at the system as a whole instrument.

Before running the diagnostics consider the following:

- Did the system fail when you were running samples?
- Did problems occur after you performed maintenance on the instrument, data system, or peripherals?
- Did you change the system's configuration, cables, or peripherals just before the problem occurred?

If the answer is yes to the first question, there is the possibility of a hardware failure, and running the diagnostics is appropriate. If the answer is yes to one of the last two questions, the problem is probably mechanical, not electrical. Check again that alignment, configurations, and cable connections are correct before you run the diagnostics.

### Contents

- [Running General Diagnostic Tests](#)
- [Using the Diagnostic Tools](#)

## Running General Diagnostic Tests

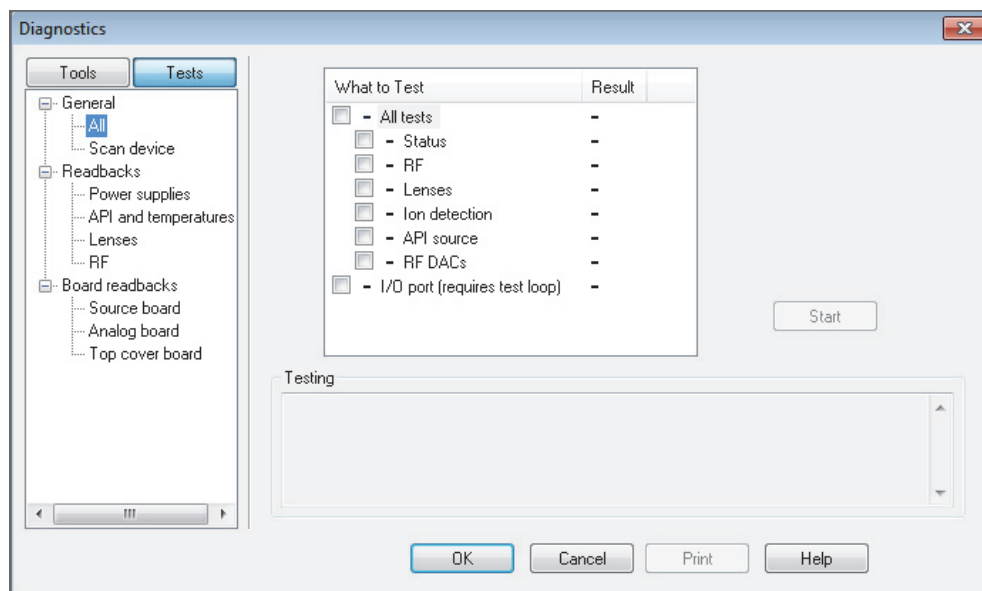
The diagnostic tests in the Tune Plus application test the major electronic circuits within the mass spectrometer and indicate whether the circuits pass or fail the tests. If there is a problem with the instrument electronics, the diagnostics can often locate it.

### ❖ To run the general diagnostic tests

1. Open the Tune Plus window (see [page 34](#)).
2. Choose **Diagnostics > Diagnostics** to open the Diagnostics dialog box.

3. Click **Tests** at the top of the left pane to display the list of diagnostic tests (Figure 88).

**Figure 88.** Diagnostics dialog box showing the general test page



4. Select one of the following options:
  - To test all of the electronic subsystems (that is, the vacuum system, power supplies, lenses, ion detection system, and rf voltage electronics), under **General**, select **All**, and under **What to Test**, select the **All Tests** check box.
  - To test an individual subsystem, click the item corresponding to that subsystem and select the appropriate check box.
5. Click **Start**.

Testing starts and the Testing text box displays a chronological log of all diagnostic tests. After tests are completed for a specific subsystem, the Result column displays either Pass or Fail. If the diagnostics indicates a problem, contact your local Thermo Fisher Scientific field service engineer for assistance.

## Using the Diagnostic Tools

A subset of the diagnostic tools that are part of the Tune Plus application targets specific functions of the entire instrument. In general, these system evaluation tools do not contain pass or fail criteria nor do they rate the performance. Instead, they provide data that can be interpreted by a Thermo Fisher Scientific field service engineer. Because the system evaluations examine complex interactions, the Thermo Fisher Scientific field service engineer uses the data in conjunction with other tools and tests to form a diagnosis.

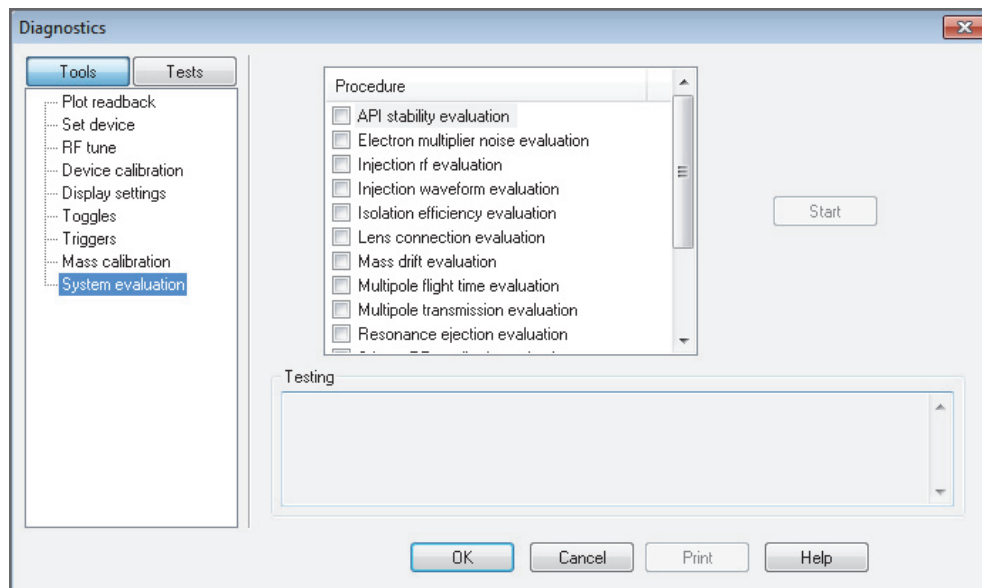


## Running System Evaluation Tools

### ❖ To run the system evaluation tools

1. In the Tune Plus window, choose **Diagnostics > Diagnostics** to open the Diagnostics dialog box.
2. Click **Tools** to display the list of diagnostic tools (Figure 89).

**Figure 89.** Diagnostics dialog box showing the Tools System Evaluation page



3. Click **System Evaluation**, and then select the check boxes for the evaluation procedures that you want to run.

For a description of each system evaluation tool, see [System Evaluation Tools](#).

4. Click **Start**.

The evaluation results appear in the Testing area.

## System Evaluation Tools

Table 11 lists the available system evaluation tools (procedures) for the LTQ Series MS in the order shown in the Tune Plus application. Several of the system evaluation tools operate when the system is in positive or negative mode, and the other tools only operate in positive mode. For additional information about these diagnostic tools, refer to the *Achieving Peak Instrument Performance Reference Manual*.

**Note** If the table's last column specifies "Positive (manual)," manually set the instrument to positive mode before you run that system evaluation tool.

## 6 Diagnostics

### Using the Diagnostic Tools

**Table 11.** System evaluation tools and their descriptions (Sheet 1 of 3)

System evaluation tool	Description	Infusion of calibration solution required	Positive or negative mode
API Stability Evaluation	Determines the relative standard deviation (RSD) of the base peak in the current scan mode. Because this procedure runs indefinitely, when you are ready to end the evaluation, click Stop and then click OK, which closes the dialog box.	Yes, or any analyte	Both
Ejection and Multiplier Gain Ratio (Velos Pro, LTQ Velos, and LTQ XL MSs only)	Measures the ratio of the signals produced by the ions as they eject on either side of the ion trap. This signal ratio can indicate an asymmetry of the ejection slot geometry, a blockage of the slot by foreign material or an electron multiplier gain mismatch.	Yes	Both
Electron Multiplier Noise Evaluation	Determines the noise level in terms of the number of noise pulses per scan from the multipliers, dynode, and rf voltage (high mass noise). It turns on and turns off the various elements to determine the location of any noise if the noise level exceeds the fixed threshold.	No	Both
Injection RF Evaluation	Evaluates the storage efficiency of various mass ions as a function of the ion trap's rf voltage during ion injection, which can help identify problems with the ion trap structure or rf voltage.	Yes	Positive (manual)
Injection Waveform Evaluation	Compares the storage efficiency of the ion trap with the injection waveforms turned on and off, which can help identify problems with the ion trap structure or injection waveform circuitry.	Yes	Both
Ion Optics Charging Evaluation <sup>a</sup> (Velos Pro and LTQ Velos MSs only)	Helps identify if specific ion optic elements, from the exit lens to the front lens, might be charging and are in need of cleaning.	Yes	Positive (automatic)
Isolation Efficiency Evaluation (Velos Pro and LTQ Velos MSs only)	Evaluates the efficiency of isolation as a function of isolation width, which can help identify the performance of the isolation circuitry and the conditions inside the ion trap, such as pressure.	Yes	Positive (manual)

**Table 11.** System evaluation tools and their descriptions (Sheet 2 of 3)

System evaluation tool	Description	Infusion of calibration solution required	Positive or negative mode
Lens Connection Evaluation	Determines if the ion optic voltages connect to an element by setting the voltage to a value that should stop the ion beam. It does not necessarily determine if the voltages connect to the correct optical element.	Yes	Positive (automatic)
Mass Drift Evaluation	Plots the mass of several ions and various temperature sensors over time to determine the amount of drift. This procedure runs indefinitely. Therefore, when you are ready to end the evaluation, click Stop and then click OK, which closes the dialog box.	Yes	Positive (manual)
Multipole MP0 Flight Time Evaluation <sup>a</sup> (Velos Pro and LTQ Velos MSs only)	Measures the flight time of various mass ions through multipole MP0, which can help determine the condition of MP0.	Yes	Positive (automatic)
Multipole Gradient Evaluation <sup>a</sup> (Velos Pro and LTQ Velos MSs only)	Provides information about the sensitivity of the system as a function of the multipole voltage gradient, which can help determine the condition of the ion optics.	Yes	Positive (automatic)
Multipole Transmission Evaluation	Provides information regarding sensitivity while varying the multiple rf amplitude, which can help determine the appropriate rf amplitude for multipole transmission.	Yes	Positive (manual)
Reagent CI Gas Pressure Evaluation (MS/ETD systems only)	Determines the optimum chemical ionization (CI) gas pressure for generating reagent ions for the ETD process. The procedure requires the installation of the ETD module and the reagent vial.	No	N/A
<p><b>Note</b> Before you run this system evaluation tool, turn on the MS/ETD system's reagent API source (select the View Reagent Ion Spectra check box). For instructions, refer to Chapter 4 in the <i>ETD Module Hardware Manual</i>.</p>			
Resonance Ejection Evaluation	Determines if the resonance ejection signal is functioning by turning it on and off and by observing the resulting change in the spectrum.	Yes	Both

## 6 Diagnostics

### Using the Diagnostic Tools

**Table 11.** System evaluation tools and their descriptions (Sheet 3 of 3)

System evaluation tool	Description	Infusion of calibration solution required	Positive or negative mode
S-Lens RF Amplitude Evaluation (Velos Pro and LTQ Velos MSs only)	Evaluates the transmission of the S-lens for various mass ions as a function of the rf voltage applied to the S-lens, which can help identify problems with the S-lens structure or condition.	Yes	Positive (automatic)
Source Optics Flight Time Evaluation <sup>a</sup> (Velos Pro and LTQ Velos MSs only)	Measures the flight time of various mass ions from the exit lens to multipole MP0, which can help determine the condition of the ion optics. For the LTQ Velos MS, this evaluation includes the S-lens.	Yes	Positive (automatic)
Transfer Efficiency Evaluation (Velos Pro and LTQ Velos MSs only)	Checks the transfer efficiency between the two traps of the Velos Pro MS or LTQ Velos MS by tracking the signal intensity of several ion mass during multiple transfer events—this is similar to the transfer calibrations check. This procedure helps determine if there are any issues with the ion transfer mechanism in the trap, such as with the end sections or center lens.	Yes	Positive (manual)
Trap Linearity Evaluation (Velos Pro and LTQ Velos MSs only)	Checks for linear response of the signal as a function of the injection time, which helps determine if there are any issues that might affect the performance of the Automatic Gain Control (AGC) process.	Yes	Both
Trap Tolerance Evaluation (Velos Pro, LTQ Velos, and LTQ XL MSs only)	Provides information about the accuracy of the linear trap's geometry.	Yes	Positive (manual)
Trap Wiring Evaluation (Velos Pro, LTQ Velos, and LTQ XL MSs only)	Helps determine if the trap is wired correctly by changing the dc offsets of all elements of the trap and checking to see if the trap's behavior changes.	Yes	Both

<sup>a</sup> Available with LTQ 2.7 SP1 or later

## Replaceable Parts

This chapter provides the part numbers for the chemical and accessory kits that come with the LTQ Series MS. It also lists the replaceable and consumable parts for each instrument and their corresponding part numbers.

**Note** Accessory kits for the ETD module and MALDI source are listed in their respective hardware manuals.

### Contents

- MS Setup Kit
- Accessory Kits
- Chemical Kit
- PM Cleaning Kit (Optional)
- API Source Probes and Parts
- API Source Interface Parts
- MP00 RF Lens Parts
- MP0 and MP1 Ion Guide Parts
- Electron Multipliers
- Miscellaneous Parts

## MS Setup Kit

MS Setup Kit ..... 70111-62033

## Accessory Kits

MS Accessory Kit (all models) ..... 97055-62055  
ETD Accessory Kit (only for MS/ETD systems) ..... 98000-62002

### Velos Pro and LTQ Velos MSs

Special Accessory Kit ..... 97655-62060  
Vacuum Hose Accessory Kit ..... 97455-62007

### LTQ XL MS

Special Accessory Kit ..... 97355-62060  
Vacuum Hose Accessory Kit ..... 97055-62007

### LXQ MS

Special Accessory Kit ..... 97055-62060  
Vacuum Hose Accessory Kit ..... 97055-60135

## Chemical Kit

### Velos Pro and LTQ Velos MSs

Chemical Kit ..... 97655-62070

### LTQ XL and LXQ MSs

Chemical Kit ..... 97355-62070

## PM Cleaning Kit (Optional)

Swabs, MICRO-MESH polishing .....00725-01-00027  
Swabs, chamois-tipped .....00725-01-00028  
Magnifier, head-mounted opti visor .....00725-01-00029  
Jeweler's loupe .....00725-01-00032  
Foam-tipped polypropylene handle, 6 in. long .....00203-99-00031

## API Source Probes and Parts

ESI Probe Kit ..... **OPTON-20011**  
Safety Sleeve Kit ..... 70005-62015  
Stainless Steel Needle Kit, 32 gauge ..... OPTON-53003  
Stainless Steel Needle Kit, 34 gauge ..... OPTON-30004

<b>HESI-II Probe Kit</b> .....	<b>OPTON-20037</b>
High-flow Needle Insert Assembly	
(5–2000 µL/min, 32 gauge metal sample tube) .....	OPTON-53010
Low-flow Needle Insert Assembly	
(1–10 µL/min, 34 gauge metal sample tube) .....	OPTON-53011
APCI Probe Kit .....	OPTON-20012
APCI Probe Nozzle Assembly .....	97055-60089
 <b>ESI Probe</b>	
High-voltage socket O-ring .....	00107-02550
Needle seal .....	00950-00952
Nozzle ESI nozzle O-ring, Viton, 0.676 in. ID .....	00107-05710
Spray needle, 26-gauge .....	00950-00990
 <b>APCI Probe</b>	
Nozzle O-ring, silicone, 0.312 in. ID, 1/16 in. thick .....	00107-04500
Nozzle O-ring, Viton, 0.500 in. ID, 1/16 in. thick .....	00107-05600
Sample tube O-ring, Viton, 0.239 in. ID, 1/16 in. thick .....	00107-04000

## API Source Interface Parts

### All Models

O-ring, 2-033 Viton V884, 2 in. ID, 1/16 in. ....	00107-01-00006
O-ring, 2-039 Viton, 2.74 in. ID, 0.063 in. ....	00107-12550
O-ring, AS-146 Viton, 2.625 in. ID, 0.094 in. ....	00107-11002
O-ring, Vespel, graphite, 0.325 in. ID .....	97055-20442

### Velos Pro MS

Exit lens .....	70005-20419
API source interface assembly .....	70005-60290
Ion transfer tube .....	70005-20606
S-lens .....	70005-60182

### LTQ Velos MS

Exit lens .....	70005-20419
API source interface assembly .....	70005-60187
Ion transfer tube .....	70005-20606
S-lens .....	70005-60182

### LTQ XL MS

API source interface assembly .....	97055-60040
Ion transfer tube .....	97055-20198
Skimmer .....	97055-20253
Tube lens .....	97055-20251

**LXQ MS**

API source interface assembly . . . . .	97055-60181
Ion transfer tube . . . . .	97055-20517
Skimmer . . . . .	97055-20516
Tube lens . . . . .	97055-20463

**MP00 RF Lens Parts**

**All Models**

O-ring, 2-005, Viton, 0.101 in. ID, 0.070 in. <i>w</i> . . . . .	00107-02456
O-ring, 2-148, Viton 884, 2.737 in. ID, 0.103 in. <i>w</i> . . . . .	00107-15542

**Velos Pro, LTQ Velos, and LTQ XL MSs**

Outer cage assembly . . . . .	97055-60036
-------------------------------	-------------

**LXQ MS**

Outer cage assembly . . . . .	97055-60180
-------------------------------	-------------

**MP0 and MP1 Ion Guide Parts**

**Velos Pro MS**

Lens L1 . . . . .	97055-20022
Multipole bracket (long) . . . . .	70005-20780
Multipole MP0 . . . . .	70005-60276
Multipole MP1 . . . . .	97055-60207
Multipole bracket . . . . .	70005-20514
Rod beam interceptor . . . . .	70005-20781
Split gate lens . . . . .	97055-20023
Thumbscrews, 10-32 . . . . .	97000-20235

**LTQ Velos MS**

Lens L1 . . . . .	97055-20022
Multipole bracket (long) . . . . .	97055-20570
Multipole MP0 . . . . .	70005-60200
Multipole MP1 . . . . .	97055-60207
Multipole bracket . . . . .	70005-20514
Split gate lens . . . . .	97055-20023
Thumbscrews, 10-32 . . . . .	97000-20235



**LTQ XL MS**

Lens L1	97055-20022
Multipole bracket	97055-20054
Multipole MP0	97055-60035
Multipole MP1	97055-60034
Split gate lens	97055-20023
Thumbscrews, 10-32	97000-20235

**LXQ MS**

Lens L1	97055-20022
Multipole bracket	97055-20054
Multipole MP0	97055-60035
Multipole MP1	97055-60034
Split gate lens	97055-20482
Thumbscrews, 10-32	97000-20235

## Electron Multipliers

**Velos Pro MS**

Electron multiplier assembly <sup>1</sup>	00950-01-00137
Base shield (part of the electron multiplier assembly)	97655-20002
Shield retainer	97655-20003

**LTQ Velos and LTQ XL MSs**

Electron multiplier assembly	96000-60036
Dual anode	97055-20018

**LXQ MS**

Electron multiplier assembly	96000-60036
Single anode	97055-20342

---

<sup>1</sup>The Velos Pro MS electron multiplier assembly does not require a separate anode component.

## Miscellaneous Parts

### Ferrules

Ferrule, natural PEEK, 0.027 in. ID (for use with the PEEK safety sleeve) . . . . .	00101-18119
--	-------------

### Fittings

Fitting, adapter, natural PEEK, 10-32 to 1/4-28, 0.040 in. (1.0 mm) thru-hole (for the ESI probe sample inlet; Upchurch Scientific P-669) . . . . .	00101-18080
Fitting, fingertight, natural PEEK, two wings (for the 1/16 in. OD high-pressure tubing; Upchurch Scientific F-300) . . . . .	00101-18081
Fitting, fingertight, red, one wing (for the 1/16 in. OD high-pressure tubing; Upchurch Scientific F-200) . . . . .	00101-18195
Fitting, grounding union, stainless steel, 0.010 in. thru-hole (Upchurch Scientific U-435) . . . . .	00101-18182

### Forepumps

Forepump oil, 1 L . . . . .	00301-15101
-----------------------------	-------------

### Sample Loops

5 µL, stainless steel . . . . .	00110-22010
10 µL, stainless steel . . . . .	00110-22012
20 µL, stainless steel . . . . .	00110-22014
50 µL, stainless steel . . . . .	00110-22016
100 µL, stainless steel . . . . .	00110-22018
500 µL, stainless steel . . . . .	00110-22020
1 mL, stainless steel . . . . .	00110-22022

### Tubing

Safety sleeve, natural PEEK tubing, 230 µm ID, 610 µm OD, 25.4 cm long (0.009 in. ID, 0.024 in. OD, 10 in. long) . . . . .	00301-22806
Sample tube, fused-silica, 100 µm ID, 193 µm OD (0.003 in. ID, 0.008 in. OD) . . . . .	00106-10499
Tubing, red PEEK, 127 µm ID, 1/16 in. OD (0.005 in. ID, 1.6 mm OD) . .	00301-22912

### Vacuum Manifold Parts

O-ring, Viton, 3.25 in. ID, 1/8 in. thick (between outer cage and vacuum manifold) . . . . .	00107-13000
Split chamber O-ring, 12.33 × 6.65 × 3.21 in. ( <i>l</i> × <i>w</i> × <i>h</i> ) . . . . .	97055-40005

# Glossary

A B C D E F G H I J K L M N O P Q R S T U V W X Y Z

## A

**API ion transfer tube** A tube assembly that assists in desolvating ions that are produced by the ESI, NSI, or APCI probe.

**API ion transfer tube offset voltage** A dc voltage applied to the ion transfer tube. The voltage is positive for positive ions and negative for negative ions.

**API source** The sample interface between the LC and the mass spectrometer. It consists of the API probe (ESI or APCI) and API stack.

**API stack** Consists of the components of the API source that are held under vacuum and includes the API spray shield, API ion transfer tube, API tube lens, skimmer, ion transfer tube mount, and tube lens and skimmer mount.

**API tube lens** A lens in the API source that separates ions from neutral particles as they leave the ion transfer tube. A potential applied to the tube lens focuses the ions toward the opening of the skimmer and helps to dissociate adduct ions.

**API tube lens offset voltage** A DC voltage applied to the tube lens. The value is normally tuned for a specific compound.

**API tube-skimmer region** The area between the tube and the skimmer, which is surrounded by the tube lens. It is also the area of first-stage evacuation in the API source.

**atmospheric pressure chemical ionization (APCI)** A soft ionization technique done in an ion source operating at atmospheric pressure. Electrons from a corona discharge initiate the process by ionizing the mobile phase vapor molecules. A reagent gas forms, which efficiently produces positive and negative ions of the analyte through a complex series of chemical reactions.

**atmospheric pressure ionization (API)** Ionization performed at atmospheric pressure by using atmospheric pressure chemical ionization (APCI), electrospray ionization (ESI), or nanospray ionization (NSI).

**atmospheric pressure photoionization (APPI)** A soft ionization technique that shows an ion generated from a molecule when it interacts with a photon from a light source.

**Automatic Gain Control™ (AGC)** Sets the ion injection time to maintain the optimum quantity of ions for each scan. With AGC on, the scan function consists of a prescan and an analytical scan.

**autosampler** The device used to inject samples automatically into the inlet of a chromatograph.

## C

**collision-induced dissociation (CID)** A method of fragmentation where molecular ions are accelerated to high-kinetic energy and then allowed to collide with neutral gas molecules such as helium or nitrogen. The collisions break the bonds and fragment the ions into smaller pieces.

**conversion dynode** A highly polished metal surface that converts ions from the mass analyzer into secondary particles, which enter the electron multiplier.

## D

**divert/inject valve** A valve on the mass spectrometer that can be plumbed as a divert valve or as a loop injector.

## E

**electron multiplier** A device used for current amplification through the secondary emission of electrons. Electron multipliers can have a discrete dynode or a continuous dynode.

**electron transfer dissociation (ETD)** A method of fragmenting peptides and proteins. In ETD, singly charged reagent anions transfer an electron to multiply protonated peptides within the ion trap mass analyzer. This leads to a rich ladder of sequence ions derived from cleavage at the amide groups along the peptide backbone. Amino acid side chains and important modifications such as phosphorylation are left intact.

**electrospray (ESI)** A type of atmospheric pressure ionization that is currently the softest ionization technique available to transform ions in solution into ions in the gas phase.

**electrospray ionization (ESI)** See [electrospray \(ESI\)](#).

## H

**heated-electrospray (H-ESI)** Converts ions in solution into ions in the gas phase by using electrospray ionization (ESI) in combination with heated auxiliary gas.

**heated-electrospray ionization (H-ESI)** See [heated-electrospray \(H-ESI\)](#).

**high performance liquid chromatography (HPLC)** Liquid chromatography where the liquid is driven through the column at high pressure. Also known as high pressure liquid chromatography.

**higher energy collision-induced dissociation (HCD)** Collision-induced dissociation that occurs in the HCD collision cell of the Orbitrap mass analyzer. The HCD collision cell consists of a straight multipole mounted inside a collision gas-filled tube. A voltage offset between the C-Trap and HCD collision cell accelerates precursor ions into the collision gas inside the HCD cell, which causes the ions to fragment into product ions. The product ions are then returned to the Orbitrap mass analyzer for mass analysis. HCD produces triple quadrupole-like product ion mass spectra.

## I

**ion detection system** A high sensitivity, off-axis system for detecting ions. It produces a high signal-to-noise ratio and allows for switching of the voltage polarity between positive ion and negative ion modes of operation. The ion detection system includes a  $\pm 15$  kV conversion dynode and a channel electron multiplier.

**ion isolation** A step in an ion trap mass analysis where all ions but the ions of interest are ejected from the mass analyzer.

**ion isolation waveform voltage** In a Thermo Scientific ion trap, a waveform voltage that is applied during the MS/SIM mode and during the precursor ion isolation step(s) of mass analysis for the MS/MS/Full, MS<sup>n</sup>/Full, MS/MS/SRM, MS<sup>n</sup>/CRM, and all

of the ZoomScan™ modes (for example, all modes except MS/Full). The ion isolation waveform voltage ejects all ions but the SIM ion or precursor ion of interest.

**ion optics** Focuses and transmits ions from the API source to the mass analyzer.

**ion sweep cone** A removable cone-shaped metal cover that fits on top of the API ion transfer tube and acts as a physical barrier to protect the entrance of the tube.

## L

**LC pump** A high pressure solvent pump in the liquid chromatograph (LC) that provides the pressure on the input side of a column to drive the eluent and sample through the column.

**lens** A metal disk with a circular hole in the center that allows the ion beam to pass.

## M

**mass analyzer** A device that determines the mass-to-charge ratios of ions by one of a variety of techniques.

## N

**nanoelectrospray (nanoESI or NSI)** A type of electrospray ionization (ESI) that accommodates very low flow rates of sample and solvent at 1–20 nL/min (for static nanospray) or 100–1000 nL/min (for dynamic nanospray).

**nanospray ionization (nanoESI or NSI)** *See* [nanoelectrospray \(nanoESI or NSI\)](#).

## P

**precursor ion** An electrically charged molecular species that can dissociate to form fragments. The fragments can be electrically charged or neutral species. A precursor ion can be a molecular ion or an electrically charged fragment of a molecular ion. Also called a precursor ion.

**product ion** An electrically charged product of reaction of a selected precursor ion. In general, product ions have a direct relationship to a particular precursor ion and can correlate to a unique state of the precursor ion.

## R

**rf lens** A multipole rod assembly that is operated with only radio frequency (rf) voltage on the rods. In this type of device, virtually all ions have stable trajectories and pass through the assembly.

## S

**sample loop** A loop of calibrated volume that is used to perform flow injection analysis.

**scan** Comprised of one or more microscans. Each microscan is one mass analysis (ion injection and storage/scan-out of ions) followed by ion detection. After the microscans are summed, the scan data is sent to the data system for display and/or storage. The process of ramping the amplitude of the rf and dc voltages on the multipole rods in the mass analyzer to transmit ions from the lowest mass to the highest mass of a specified scan range.

**signal-to-noise ratio (S/N)** The ratio of the signal height (S) to the noise height (N). The signal height is the baseline corrected peak height. The noise height is the peak-to-peak height of the baseline noise.

**skimmer** A vacuum baffle between the higher pressure tube-skimmer region and the lower pressure region. The aperture of the skimmer is offset with respect to the bore of the ion transfer tube.

**syringe pump** A device that delivers a solution from a syringe at a specified rate.

## T

**turbomolecular pump** A vacuum pump that provides a high vacuum for the mass spectrometer and detector system.

## V

**vacuum manifold** A thick-walled, aluminum chamber with machined flanges on the front and sides and various electrical feedthroughs and gas inlets that encloses the API stack, ion optics, mass analyzer, and ion detection system.



# Index

## A

- air leaks
  - checking 47
  - fixing 47
- APCI probe
  - cleaning 75
  - cleaning (flushing) 75
  - maintaining 74
  - nozzle, cleaning 76
  - nozzle, removing 75
  - reassembling 79
- APCI sample tube
  - dimensions 74
  - installing 78
  - removing 77
  - replacing 74
- API gas valves, description 32
- API probe, cleaning 49
- API source
  - description 15
  - housing, cleaning 58
  - interface assembly 15
- API source interface
  - description 15
  - ion transfer tube 15
  - reinstalling 92
  - removing 80
  - skimmer 17, 19
- atmospheric pressure ionization source, description 15
- autosampler, starting up 39
- auxiliary gas, description 32

## C

- calibration parameters, resetting to factory defaults 40
- cleaning procedures
  - APCI probe components 74
  - ESI probe components 59
  - exit lens 82

- lens L0 97
- lens L1 109
- MP00 rf lens 97
- skimmer 85
- S-lens 82
- split gate lens 109
- tube lens 85
- Communication LED 13
- compliance
  - FCC iv
  - regulatory iii
- contacting us xxiv
- Convectron gauge, description 31
- conversion dynode, description 26
- cooling fans, description 32
- customer responsibility 53

## D

- daily tasks 45
- damping gas 25
- damping gas inlet assembly, description 32
- data system, starting up 38
- diagnostics
  - description 125
  - system evaluation
    - API stability evaluation 128
    - Ejection and Multiplier Gain Ratio 128
    - electron multiplier noise evaluation 128
    - injection rf evaluation 128
    - injection waveform evaluation 128
    - ion optics charging evaluation 128
    - isolation efficiency evaluation 128
    - lens connection evaluation 129
    - mass drift evaluation 129
    - multipole flight time evaluation 129
    - multipole gradient evaluation 129
    - multipole transmission evaluation 129
    - reagent CI gas pressure evaluation 129
    - resonance ejection evaluation 129

## Index: E

- S-lens rf amplitude evaluation 130
- source optics flight time evaluation 130
- transfer efficiency evaluation 130
- trap linearity evaluation 130
- trap tolerance evaluation 130
- trap wiring evaluation 130
- system evaluation tools, displaying 127
- troubleshooting 125
- directive, WEEE vii
- divert/inject valve
  - button and LEDs 10
  - loop injection 10–11
  - positions 11
- documentation
  - accessing xix
  - additional xviii
- downloading documents xix

## E

- electromagnetic compatibility iii
- electron multipliers
  - description 26
  - location (photo) 102
  - replacing 115
  - voltages
    - negative ion polarity mode 120
    - positive ion polarity mode 120
- electronics service switch 15
- emergency shutdown 33
- ESI manifold, cleaning 63
- ESI nozzle, cleaning 62
- ESI probe
  - assembling 64
  - cleaning 59
  - disassembling 61
  - flushing 59
  - maintenance overview 59
  - stainless steel metal needle 71
- ESI sample tube, trimming 60
- exit lens
  - description 19
  - reinstalling 83
  - removing 82

## F

- fan filters, cleaning 124
- FCC compliance iv
- figures, list of xiii
- flow injection analysis 10
- forepump oil, purging 51

- forepumps
  - description 31
  - oil, purging 51
- functional block diagram
  - mass spectrometer 8
  - vacuum system 28
- fused-silica sample tube
  - checking 48
  - for APCI probe, installing 78
  - for ESI probe
    - installing 65
    - trimming 60

## G

- gas supply levels, checking 48
- gate lens
  - See split gate lens
- gloves, part numbers 57
- grounding union, connection 68

## H

- HCD
  - See Trap-HCD license
- helium, pressure 48
- HESI-II probe
  - cleaning 71
  - flushing 71
  - needle insert, replacing 71

## I

- inlet gases hardware, description 31
- ion detection system, description 26
- ion gauge, description 31
- ion guides
  - description 20
  - drawings
    - MP0 and MP1, LTQ Velos 105
    - MP0 and MP1, LTQ XL 106
    - MP0 and MP1, LXQ 107
    - MP0 and MP1, Velos Pro 104
  - tube lens 17
  - See also MP0 ion guide and MP1 ion guide
- ion isolation waveform voltage, description 24
- ion sweep cone
  - cleaning 51
  - description 15
  - figure of 89
- ion sweep cone, cleaning 92
- ion transfer capillary
  - See ion transfer tube



ion transfer tube  
 cleaning 51, 90  
 description 15  
 removing 88  
 ionization technique, definition 5

## K

kits  
 Accessory 132  
 APCI Probe 133  
 Chemical 132  
 ESI Probe 132  
 HESI-II Probe 133  
 MS Setup 132  
 safety sleeve 132

## L

LC/MS analysis, description 4  
 LEDs  
 divert/inject valve 10  
 mass spectrometer, front panel 13  
 Pump On 9  
 lens L0  
 cleaning 97  
 description 20  
 lens L1  
 cleaning 109  
 description 22  
 line power, specification 14  
 liquid chromatograph  
 solvent flow, turning off 35  
 starting up 38  
 loop injection 10  
 LTQ Velos, description 2

## M

Main Power circuit breaker 15  
 maintenance  
 APCI probe 74  
 ESI probe 59  
 fan filters, cleaning 124  
 forepump oil, purging 51  
 schedule 54  
 skimmer, cleaning 85  
 supplies 56  
 tools 56  
 tube lens, cleaning 85  
 mass analyzer  
 description 23  
 helium damping gas 25  
 operation 25

mass spectrometers  
 components, turning off 41  
 description 12  
 functional block diagram 8  
 functional description 12  
 ion detection system 26  
 LTQ Velos, note xviii, 7, 53  
 LXQ, note xviii, 7, 53  
 photos 1  
 power panel 14  
 resetting 39  
 shutting down 36  
 Standby mode 35  
 starting up 38  
 turning on 36  
 vacuum manifold 29  
 vacuum system 28  
 metal needle insert for the HESI-II probe 72  
 MP0 ion guide  
 cleaning 99, 108  
 reinstalling 109  
 removing 103  
 MP0 ion optics  
*See* MP0 ion guide  
 MP0 multipole  
*See* MP0 ion guide  
 MP00 ion optics  
*See* MP00 rf lens  
 MP00 rf lens  
 assembly  
 disassembling 96  
 reassembling 98  
 reinstalling 98  
 removing 94  
 cleaning 97  
 description 20  
 MP1 ion guide  
 cleaning 99, 108  
 description 22  
 reinstalling 109  
 removing 103  
 MP1 ion optics  
*See* MP1 ion guide  
 Multipole MP1  
*See* MP1 ion guide

## N

nitrogen, pressure 48

## P

- power
  - LED 13
  - panel 14
  - specifications 14
- pressure levels, checking 46
- pump down time 39, 45

## R

- regulatory compliance iii
- reset button 15
- resonance ejection rf voltage 25
- resonance excitation rf voltage 24

## S

- safety standards iii
- sample transfer line, flushing 49, 59, 71, 75
- sample tube
  - APCI, installing 78
  - ESI, installing 66
  - flushing 49, 59, 71
- sample tube, dimensions 74
- scan, definition 5
- scanning LED 13
- sheath gas, description 22
- shutdown
  - emergency 33
  - mass spectrometer 36
- skimmer
  - cleaning 83
  - description 17, 19
  - reinstalling 86
- S-lens
  - cleaning 82
  - description 19
  - reinstalling 83
  - removing 82
- solvent waste container, emptying 51
- solvents 56
- split gate lens
  - cleaning 109
  - description 22
  - reinstalling MP1 ion guide and 109
  - removing MP1 ion guide and 103
- spray cone
  - cleaning 51, 90
  - O-ring, clean or replace 90
- Standby mode 35
- sweep gas, description 32

- syringe pump
  - description 9
  - LED 9
- system
  - LED 13
  - startup 37
- system evaluation tools
  - See diagnostics

## T

- Thermo Scientific website, user documents xix
- top cover, removing 100
- Trap-HCD license
  - 90-day trial version xx
  - getting a license xx
- troubleshooting 125
- tube lens
  - cleaning 83, 85
  - description 17
  - offset voltage, tuning 17
  - reinstalling 86
  - voltages 17
- tune parameters, resetting to factory defaults 40
- turbomolecular pump 30

## V

- vacuum LED
  - colors and states 13
  - note about pressure 39
- vacuum levels, checking 46
- vacuum manifold
  - description 29
  - pressure 39
  - top cover, removing 102
- vacuum pump
  - See turbomolecular pump
- vacuum system
  - Convectron gauge 31
  - description 28
  - functional block diagram 28
  - pressure levels, checking 46
- vent valve, description 31
- voltages
  - line power specifications 14
  - resonance excitation rf voltage 24

## W

- WEEE directive vii
- wiring diagrams
  - MP0 and MP1 ion guides, LTQ XL 112

MP0 and MP1 ion guides, LXQ [113](#)

MP0 and MP1 ion guides, Velos Pro [111](#)

